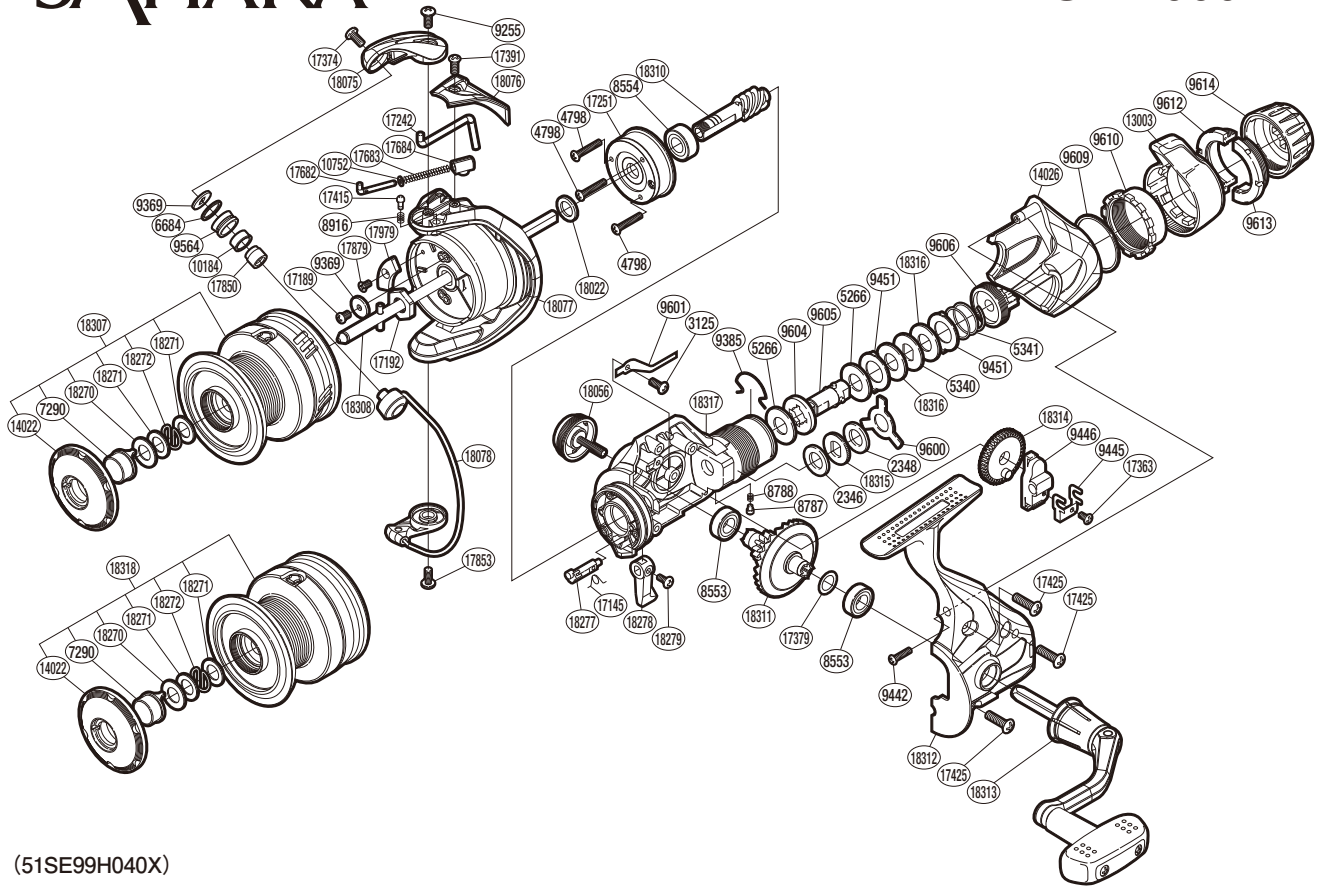


SHIMANO

SAHARA

SH-4000R



(51SE99H040X)

#	Part No.	Description	#	Part No.	Description	#	Part No.	Description
2346	10KN2	Drag Washer	9609	10712	Fightin Pressure Screw Washer	17979	106GA	Counter Weight A
2348	10KN3	Drag Washer	9610	1070V	Fightin Pressure Screw	18022	10JVH	Washer
3125	103DB	Screw	9612	107TW	Drag Programmer B1	18056	10283	Handle Screw Cap
4798	103C6	Screw	9613	10NC6	Drag Programmer B2	18075	101ZF	Bail Arm
5266	1093N	Drag Washer	9614	10MVL	Drag Programmer A	18076	101ZH	Bail Spring Cover
5340	10BW5	Key Washer	10184	10PFH	Line Roller Bushing	18077	101ZC	Rotor
5341	10BRU	Drag Coil Spring	10752	10TYE	Bail Spring Guide A Support	18078	101HK	Bail Assembly
6684	10KFD	Line Roller Spacer	13003	10B7J	Fightin Lever	18270	10AX1	Washer
7290	10JRT	Push Button	14022	10QQ8	Push Button Collar	18271	10AX4	Washer
8553	107AT	Ball Bearing	14026	10NE2	Rear Protector	18272	10AX2	Locking Spring
8554	107FE	Ball Bearing	17145	105B4	Anti-Reverse Cam Spring	18277	10SS7	Anti-Reverse Cam
8787	10MFC	Click Pin	17189	10PMC	Screw	18278	10SSA	Anti-Reverse Lever
8788	107D0	Click Spring	17192	1067Y	Rotor Nut	18279	10L1V	Screw
8916	10CH0	Click Spring	17242	106P4	Bail Trip Lever	18307	10TJF	Spool Assembly
9255	10LHX	Screw	17251	10QPN	Roller Clutch Assembly	18308	10ECD	Main Shaft
9369	10PFP	Washer	17363	10LCQ	Screw	18310	10TJE	Pinion Gear
9385	10P3W	Hold Click Spring	17374	10K90	Screw	18311	10TJJ	Drive Gear
9442	10L1X	Screw	17379	10GR3	Washer	18312	10EC7	Side Cover
9445	10JZ9	Oscillating Slider Retainer	17391	10LFK	Screw	18313	10SL6	Handle Assembly
9446	104KC	Oscillating Slider	17415	106ZC	Click Pin	18314	10EAG	Oscillating Gear
9451	10N7Y	Eared Washer	17425	10L9W	Screw	18315	10LMG	Click Gear
9564	10JLE	Line Roller	17682	1061L	Bail Spring Guide A	18316	107CV	Drag Washer
9600	10715	Eared Washer	17683	105R6	Bail Spring	18317	10TJR	Body
9601	10P0D	Drag Click	17684	107AB	Bail Spring Seat			
9604	10MXM	Drag Shaft B	17850	1020X	Line Roller Collar			
9605	10MSA	Drag Shaft A	17853	10LFH	Screw			
9606	10MV7	Pressure Screw	17879	10LA3	Screw	18318	10SL9	Spare Spool Assembly

Please note that the number of adjusting washers may not be the same as shown in the exploded views.
(Adjustment will vary with each individual product.)

(230808)_005