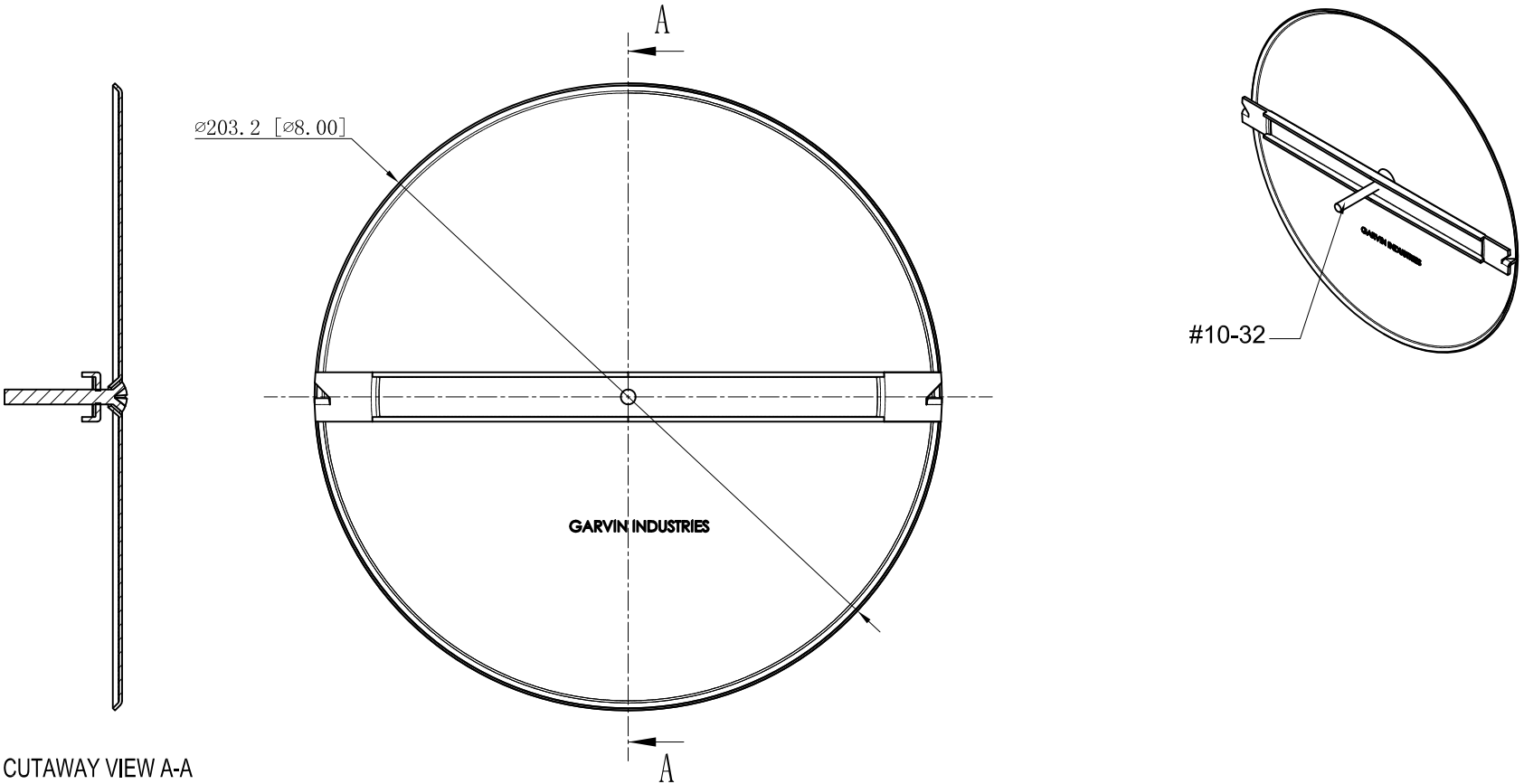


SIDES	BOTTOM
1 Pcs #10-32×1-1/2" screw	
Material:Steel-0.039"-C.R.S Powder Coating White	



DESCRIPTION
TRADE REFERENCE TERMS

This data sheet is for reference only .GARVIN INDUSTRIES reserves the right to make changes to the design without prior notice.

STANDARD PACKING

GARVIN INDUSTRIES		
TITLE 8"ROUND CEILING BLANKS		
SIZE A4	DWG NO. CBS-800	REV
DATA SHEET		