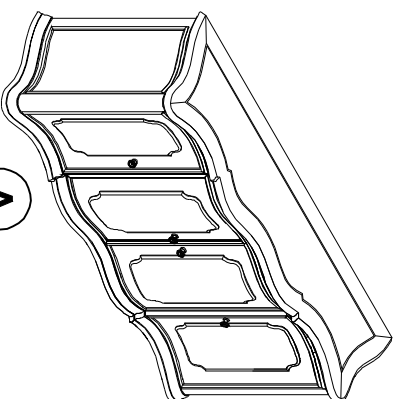
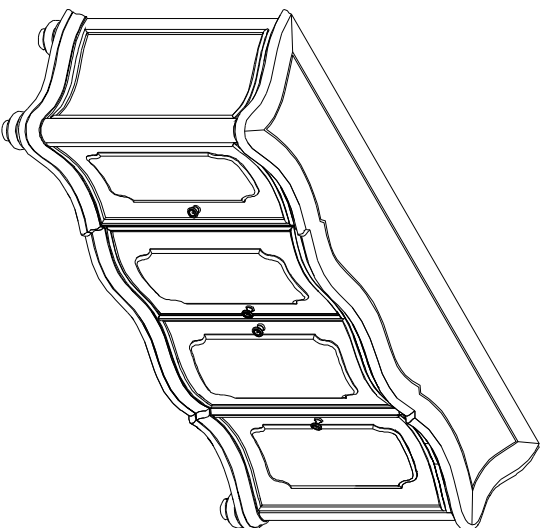


PARTS LIST / LISTE DES PIÈCES / LISTA DE PIEZAS
ITEM NO./ARTICLE NO./ARTICULONNO: P293300

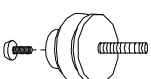
DESCRIPTION/ LA DESCRIPTION/ DESCRIPCIÓN: Buffet/ Buffet/ Aparador

| | |
|---|--|
| ⚠ WARNING | |
|  | <p>Children have died from furniture tipover. To reduce the risk of furniture tipover:</p> <ul style="list-style-type: none"> • ALWAYS install tipover restraint provided. • NEVER put a TV on this product, or hang on drawers, doors, or shelves. • NEVER open more than one drawer at a time. • Place heaviest items in the lowest drawers. <p><i>This is a permanent label. Do not remove!</i></p> |
|  | |



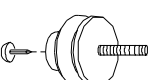
- x1 Buffet
- x1 Buffet
- x1 Aparador

A



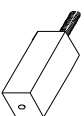
- x2 Bun Foot (Front) *
- x2 Pied en forme d'œignon (Avant)
- x2 Pata redonda (Delantera)

B



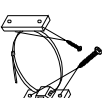
- x2 Bun Foot (Back) *
- x2 Pied en forme d'œignon (Arrière)
- x2 Pata redonda (Trasera)

C



- x1 Center leg *
- x1 Pattes centrales
- x1 Patas centrales

D



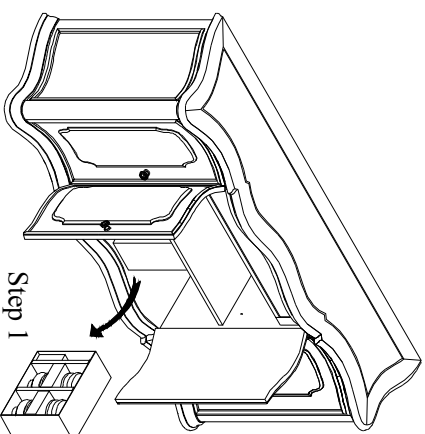
- x1 Tipping restraint *
- x1 Liste des pièces de quincaillerie antibasculement
- x1 Abrazadera antivuelco

E

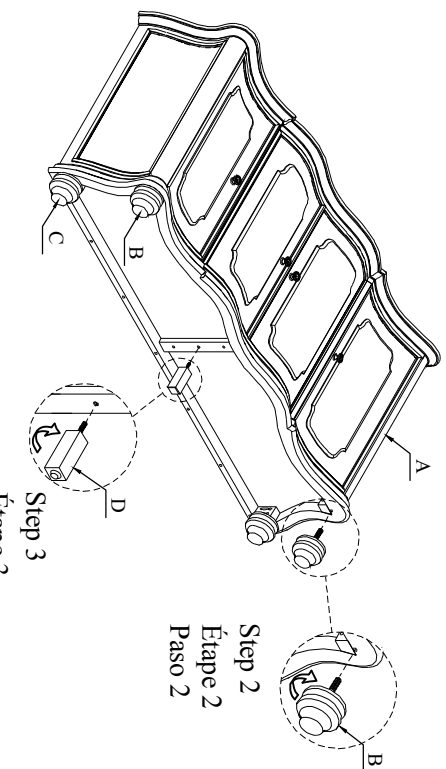
*Replaceable Part

ASSEMBLY INSTRUCTIONS/ NOTICE DE MONTAGE/ INSTRUCCIONES DE MONTAJE
ITEM NO./ARTICLE NO./ARTICULO NO.: P293300
DESCRIPTION/ LA DESCRIPTION/ DESCRIPCIÓN: Buffet/Bufet/Aparador

| |
|---|
| ⚠ WARNING |
|  <p>Children have died from furniture tipover. To reduce the risk of furniture tipover:</p> <ul style="list-style-type: none"> • ALWAYS install tipover restraint provided. • NEVER put a TV on this product. • NEVER allow children to stand, climb or hang on drawers, doors, or shelves. • NEVER open more than one drawer at a time. • Place heaviest items in the lowest drawers. <p>This is a permanent label. Do not remove!</p> |
|  |



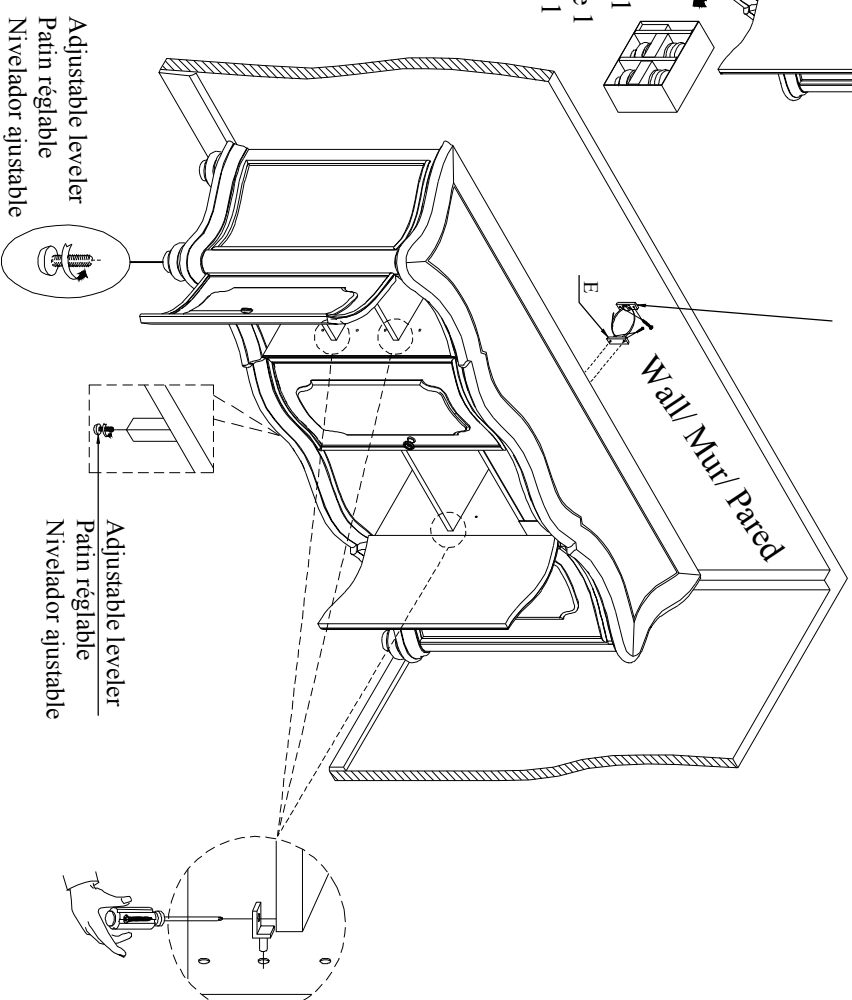
Step 1
Étape 1
Paso 1



Step 2
Étape 2
Paso 2

Step 3
Étape 3
Paso 3

Tipping restraint/
Liste des pièces de quincaillerie antibasculement/
Abrazadera antivuelco



Wall/ Mur/ Pared

Adjustable leveler
Patin réglable
Nivelador ajustable

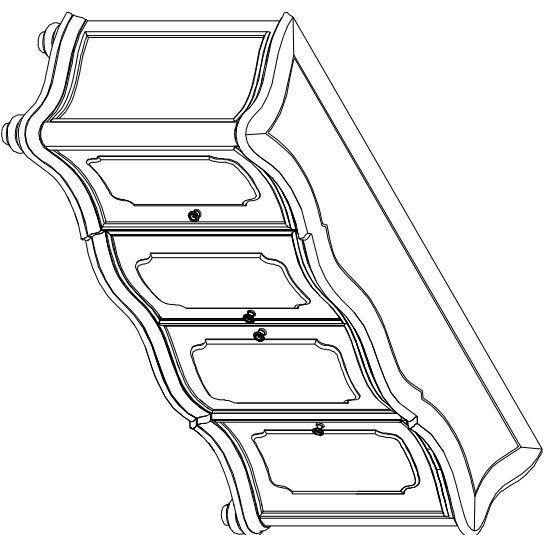
Adjustable leveler
Patin réglable
Nivelador ajustable

* Replaceable Part



REPLACEABLE PART / PARTIE REMPLAÇABLE / PARTE REMPLAZABLE
ITEM NO./ARTICLE NO./ARTICULO NO: P293300
DESCRIPTION/ LA DESCRIPTION/ DESCRIPCIÓN: Buffet/Buffet/Aparador

| | |
|--|---|
| WARNING | |
| Children have died from furniture tipover. To reduce the risk of furniture tipover : | |
| | <ul style="list-style-type: none"> • ALWAYS install tipover restraint provided. • NEVER put a TV on this product. • NEVER allow children to stand, climb or hang on drawers, doors, or shelves. • NEVER open more than one drawer at a time. • Place heaviest items in the lowest drawers. |
| | <ul style="list-style-type: none"> • NEVER allow children to stand, climb or hang on drawers, doors, or shelves. • NEVER open more than one drawer at a time. • Place heaviest items in the lowest drawers. |
| <i>This is a permanent label. Do not remove!</i> | |



- | | | | | |
|--|--|---|--|--|
| <p>RP293300 SHELF * x4 Wood Shelf x4 étagère x4 estante</p> | <p>RP293300 SHELFM * x1 Middle Wood Shelf x1 Estragère centrale x1 Repisa media</p> | <p>RP293300 FOOTF * x2 Bun Foot (Front) x2 Pied en forme d'ovignon (Avant) x2 Pata redonda (Delantera)</p> | <p>RP293300 FOOTB * x2 Bun Foot (Back) x2 Pied en forme d'ovignon (Arrière) x2 Pata redonda (Trasera)</p> | <p>RP293300-CELEG * x1 Center Leg x1 Pates centrales x1 Patas centrales</p> |
|--|--|---|--|--|

- RP293300-TRAY ***
x1 Silverware Tray

- COMGLIDE-12-45 ***
x1 Common Drawer Glide
x1 Glissière
x1 Carril de deslizamiento

- RP293300-SUPP ***
x20 Shelf Support
x20 Supports Pour Tablette
x20 Soporte De Las Repisas

- PR293300 HINGES ***
x4 Side Door Hinge
x4 Charnière
x4 Bisagra

- PR293300 HINGEM ***
x4 Middle Door Hinge
x4 Charnière
x4 Bisagra

- RP293300 CATCH ***
x8 Door Catch
x8 Catch de aimant
x8 Captura de imán

- RP293-KNOBS ***
x4 Small Knob with Screw
x4 Poignée
x4 Tirador

- RC-FG-WHITE ***
x3 Common Adjustable Leveler
x3 Patin réglable
x3 Nivelador ajustable

- RC-WH-NAIL ***
x2 Plastic Nail
x2 Clou
x2 Clavo

- RC-ANTI-TIP ***
x1 Anti-tipping Restraint
x1 Liste des pièces de quincaillerie antibasculement
x1 Lista del kit de materiales antivuelco

*Replaceable Part