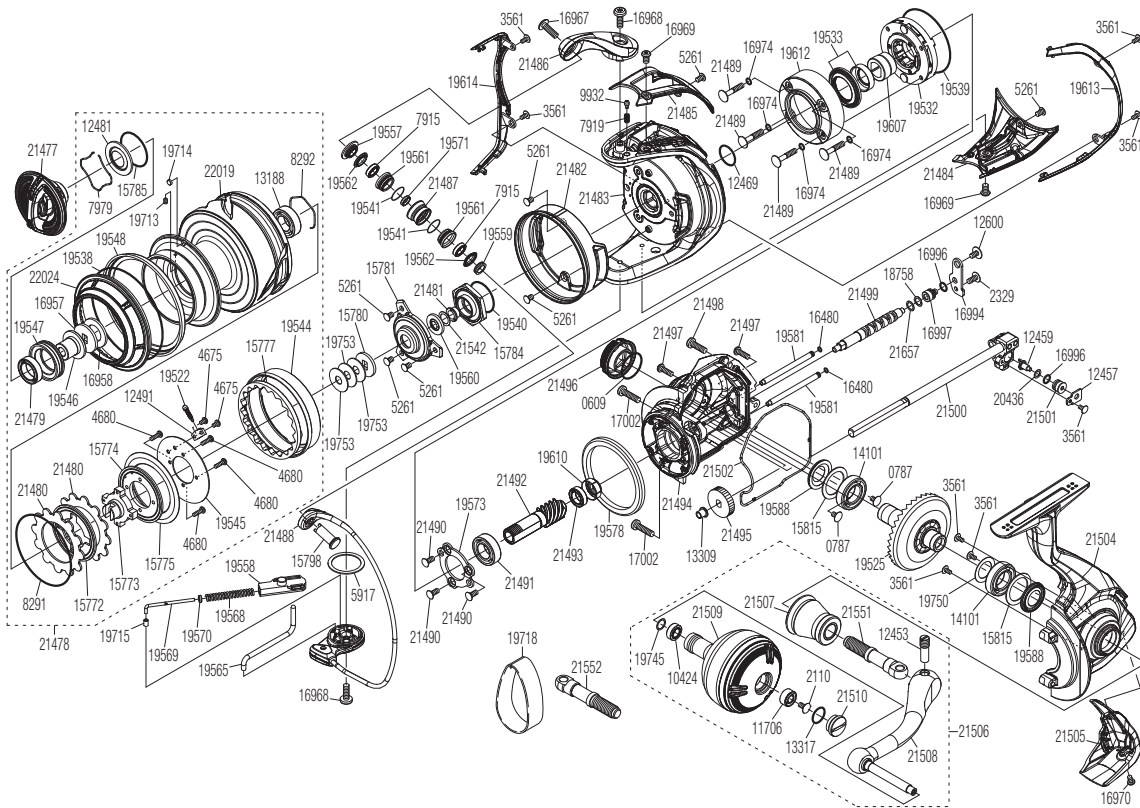


SHIMANO

TWIN POWER SA-RB

TP-SW8000HG



Please note that the number of adjusting washers may not always be the same as shown in the exploded views.

(51SF41P083X)

Please note that your actions take full responsibility when you take it apart.

#	Part No.	Description	#	Part No.	Description	#	Part No.	Description
0609	108WK	O Ring	16994	10ATG	Worm Shaft Retainer	21479	10RJE	Ball Bearing
0787	103L6	Screw	16996	10TNF	O Ring	21480	10S4Z	Drag Washer B
2110	103E9	Screw	16997	106M6	Bushing	21481	10S4S	Spacer
2329	103KY	Screw	17002	10PVQ	Screw	21482	10S51	Rotor Brim
3561	10MT4	Screw	18758	10TK0	Washer	21483	10TF0	Rotor Assembly
4675	10LV7	Screw	19522	10E90	Drag Click Assembly	21484	10S4W	Bail Hold Support Guard
4680	10LVM	Screw	19525	1014V	Drive Gear Assembly	21485	10S4N	Bail Spring Cover
5261	103GX	Screw	19532	10DUZ	Roller Clutch Assembly	21486	1008B	Bail Arm
5917	10HDP	Washer	19533	10DV8	Roller Clutch Waterproof Assembly	21487	10S55	Line Roller
7915	104W1	Ball Bearing	19538	10DUS	O Ring	21488	10TEW	Bail Assembly
7919	1077Q	Click Spring	19539	1014X	O Ring	21489	10S4V	Screw
7979	10B6F	Retainer	19540	10163	O Ring	21490	10MLD	Screw
8291	108WD	O Ring	19541	1015L	O Ring	21491	10RJF	Ball Bearing
8292	10LWM	Bearing Retainer	19544	10RC8	Drag Cover	21492	10S54	Pinion Gear
9932	10CH7	Click Pin	19545	1016H	Drag Plate Washer	21493	10RJC	Ball Bearing
10424	105BN	Ball Bearing	19546	10152	Bearing Support	21494	1008H	Body
11706	10KX1	Ball Bearing	19547	10DUR	Bearing Bushing	21495	1004G	Idle Gear
12453	10PV0	Screw	19548	1014L	Spool Ring	21496	1008C	Handle Screw Cap
12457	10H7R	Oscillating Pawl Cover	19557	1016P	Line Roller Plate	21497	10172	Screw
12459	106V5	Oscillating Pawl	19558	10153	Bail Spring Guide B	21498	10S50	Screw
12469	108WP	O Ring	19559	1014N	Collar	21499	10S4L	Worm Shaft
12481	10LQZ	Waterproof Sheet	19560	10DVG	Bearing Water Proof	21500	10TEU	Main Shaft Assembly
12491	1092N	Spring Holder	19561	1015Z	Bushing	21501	1004F	Oscillating Slider Bushing
12600	103LD	Screw	19562	1016K	Line Roller Seal	21502	10S4R	Body Seal
13188	10BGD	Ball Bearing	19565	1014D	Bail Trip Lever	21504	10TEV	Side Cover Assembly
13309	106E8	Bushing	19568	1015E	Bail Spring	21505	1008L	Rear Protector
13317	10LAB	O Ring	19569	1016J	Bail Spring Guide A	21506	10DSH	Handle Assembly
14101	104PW	Ball Bearing	19570	10DUU	Spring Guide A Support Collar	21507	10TEN	Handle Shaft Cover Assembly
15772	10BS8	Drag Disk A	19571	1014P	Collar	21508	10TF4	Handle Shank Assembly
15773	10LTY	Bearing Bushing	19573	10150	Bearing Retainer	21509	10TET	Handle Knob Assembly
15774	10BY4	Drag Disk B	19578	1014J	Friction Ring	21510	10B2C	Handle Knob Seal
15775	10JPK	Spool Bearing Water Proof	19581	10147	Oscillating Guide	21542	10RZ7	Washer
15777	109Z0	Drag Click Ratchet	19588	1015Q	Bearing Water Proof	21551	10RFY	Handle Shaft
15780	103MW	Spool Support	19607	1014F	Roller Clutch Inner	21657	10E6K	Washer
15781	10K30	Retainer	19610	10169	Bushing	22019	10088	Spool Shell
15784	1080Z	Rotor Nut	19612	10148	Clutch Water Proof Cover	22024	1004E	Collar
15785	10CG0	O Ring	19613	1010P	Rotor Guard A			
15798	10Q3F	Line Roller Support	19614	1010M	Rotor Guard B			
15815	10BGG	Washer	19713	10PVL	Set Screw			
16480	10JAB	O Ring	19714	10EAG	Spool Ring Pin			
16957	10BCD	Key Washer	19715	10R2F	Bail Spring Guide A Bush			
16958	10349	Drag Washer A	19745	104FH	Washer			
16967	10PVR	Screw	19750	101DP	Washer			
16968	10PSH	Screw	19753	101DJ	Spool Washer			
16969	10PSE	Screw	20436	100CW	Washer			
16970	10PRX	Screw	21477	10DSC	Drag Knob Assembly	19718	109UW	Belt (M) (accessory)
16974	10LAD	O Ring	21478	10DSY	Spool Assembly	21552	10RFH	Handle Shaft (Right) (accessory)