



Item No: W-10040A
Fantasy Fields - Transportation Bookshelf

WARNING

Small parts and sharp points may be present prior to assembly.

CARE INSTRUCTIONS

To clean your product, use mild soap and water on a damp cloth. Do not use window cleaners or cleaning abrasives as they will scratch the surface and could damage the protective coating.

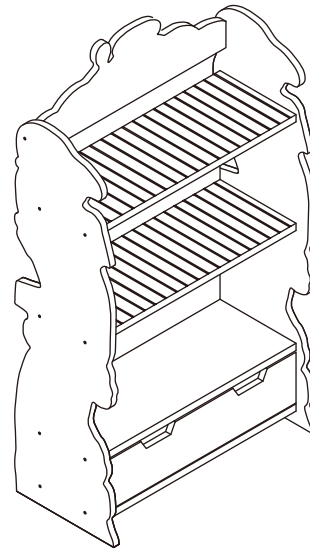
CUSTOMER SERVICE

For questions regarding this product, or to receive replacement or missing parts, please contact customer service based on your location. Please have ready the model number and part number(s) located in this assembly instruction sheet when you contact us.

Made in China

HARDWARE

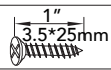
- ① 18 PCS
- ② 6 PCS
- ③ 12 PCS

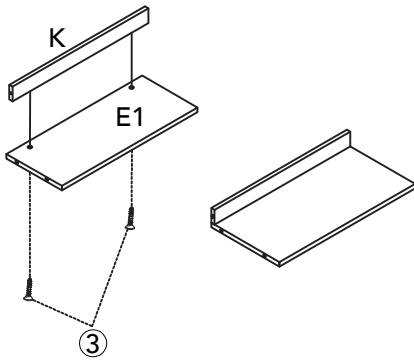


PRODUCT PARTS


A 1PC	B 1PC	C 1PC	D1 1PC	D2 1PC	E1 1PC	E2 1PC
F 1PC	G 1PC	H 1PC	I 2PCS	J 1PC	K 2PCS	

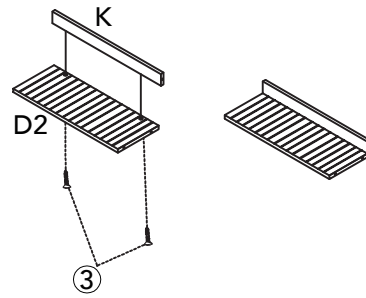
STEP1

③  2PCS

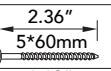


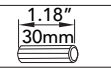
STEP2

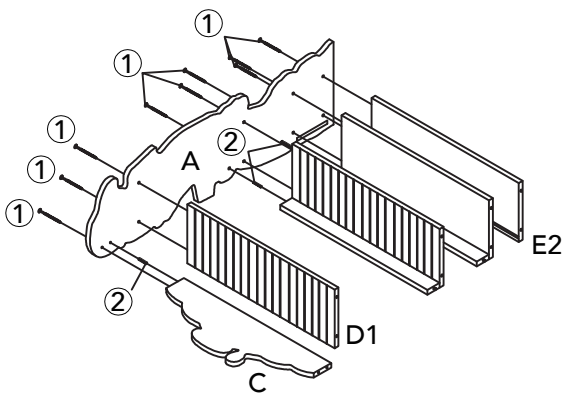
③  2PCS



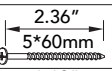
STEP3


①  9PCS

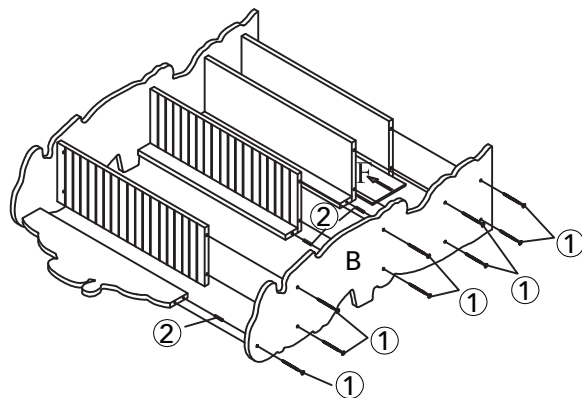
②  3PCS



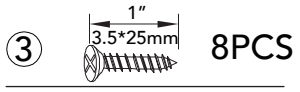
STEP4

①  9PCS

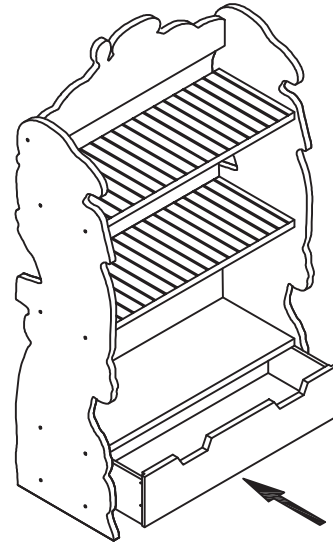
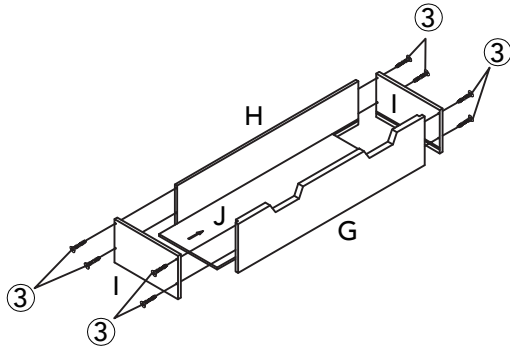
②  3PCS



STEP5



STEP6



STEP7

