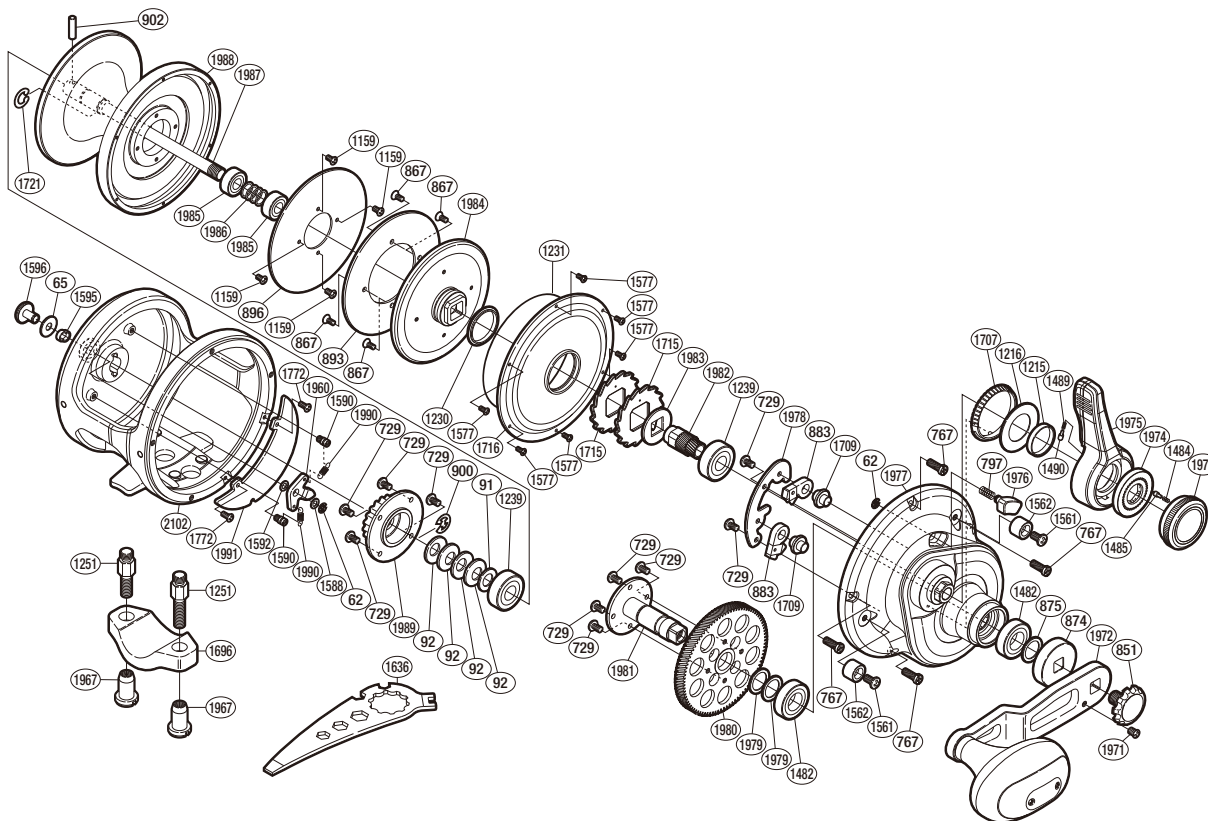


# SHIMANO

## TALICA

## TAC-20BFC



(51RJ262020U)

#	Part No.	Description	#	Part No.	Description	#	Part No.	Description
0062	105NK	E Lock	1485	10JX6	Click Pin	1978	10KVJ	Anti-Reverse Pawl Keeper
0065	104H2	Spacer	1489	10C3X	Lever Click Shoe	1979	10GD6	Washer
0091	104L5	Bearing Thrust Washer	1490	10C3V	Lever Click	1980	10QNU	Drive Gear
0092	1052E	Coned Disc Spring	1561	10M6J	Screw	1981	10A63	Drive Shaft
0729	103E9	Screw	1562	10CAC	Bolt Shield	1982	10A7S	Pinion Gear
0767	10M6X	Screw	1577	10PRU	Screw	1983	10KN5	Anti-Reverse Ratchet Retainer
0797	10BNL	Pressure Spring	1588	10GA5	Spacer	1984	10HUX	Pinion Guard
0851	106XM	Handle Bolt	1590	108W4	Click Spring Shaft	1985	10KAN	Ball Bearing
0867	10MGG	Screw	1592	10GA6	Spacer	1986	1060G	Pressure Release Spring
0874	107QY	Gear Shaft Shield	1595	104MS	Click Switch Cam	1987	10FG2	Spool Shaft
0875	10J1C	Washer	1596	104GX	Click Button	1988	10H1U	Spool
0883	10MWC	Anti-Reverse Pawl	1707	10F6C	Lever Click Gear	1989	104F5	Click Gear
0893	10G4C	Drag Plate	1715	10DAN	Anti-Reverse Ratchet	1990	104B2	Click Spring
0896	10G3R	Drag Washer	1716	104R3	Cooling Shield	1991	105WV	Set Plate
0900	105RZ	E Lock	1721	105S4	C Lock	2099	10PFS	Anti-Reverse Pawl Pin
0902	10MCU	Cross Pin	1722	10LVH	Screw	2102	10TQN	One-Piece Frame
1159	10MT0	Screw	1960	10GQY	Click Pawl			
1215	108DP	Lever Thrust Ring	1971	10MG7	Screw			
1216	10G6G	Washer	1972	102XC	Handle Assembly			
1230	10EWA	Waterproof Ring	1973	108FB	Pre-Program Dial	1251	10JBZ	Rod Clamp Bolt (Accessory)
1231	10EZ1	O Ring	1974	10CCD	Lever Shaft Body	1696	10AS2	Rod Clamp (Accessory)
1239	10KAB	Ball Bearing	1975	108BH	Drag Control Lever	1967	10JBX	Rod Clamp Nut (Accessory)
1482	104PW	Ball Bearing	1976	10BSQ	Strike Stop			
1484	10K07	Click Spring	1977	10847	Right Side Plate)	1636	10MJ7	Wrench (Accessory)

Please note that the number of adjusting washers may not be the same as shown in the exploded views.  
(Adjustment will vary with each individual product.)

(230306)\_002