

# Door Preparation Template for Long Plate Furniture

**THIS SIDE UP** 

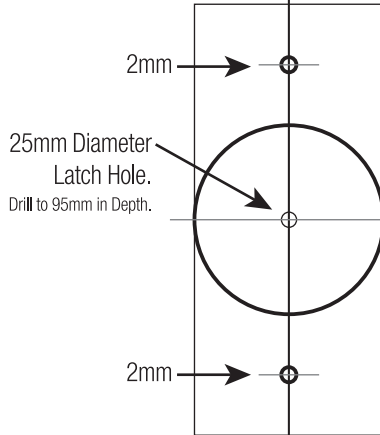
*Align with centre line on door edge*



*Fold here against door edge*

FOLD HERE

## LATCH



12mm

53mm

54mm

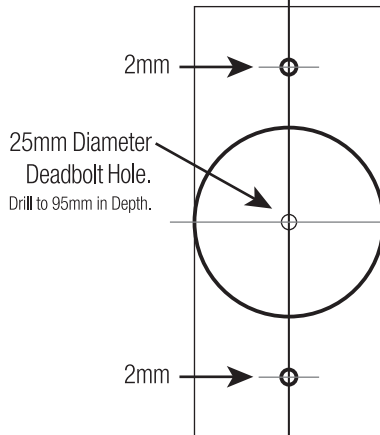
Centre for 60mm Backset

85mm

196mm

**BACKSET 60mm**

## DEADBOLT



12mm

58mm

54mm

Centre for 60mm Backset

*Align with centre line on door edge*



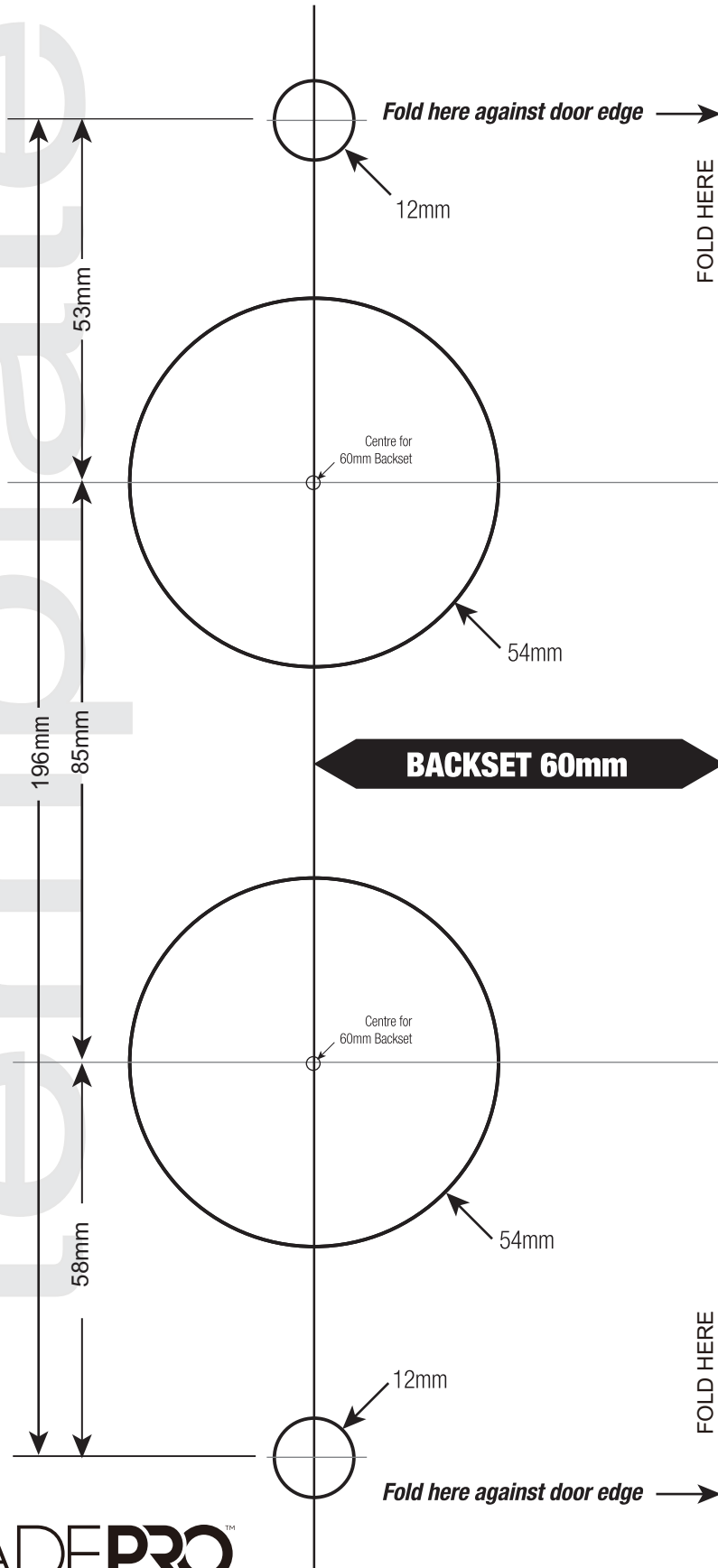
*Fold here against door edge*

FOLD HERE

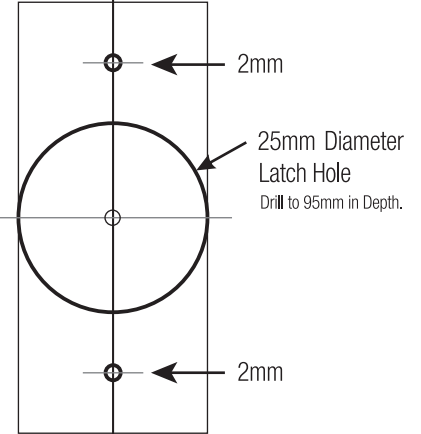
# Door Preparation Template for Long Plate Furniture

**THIS SIDE UP**

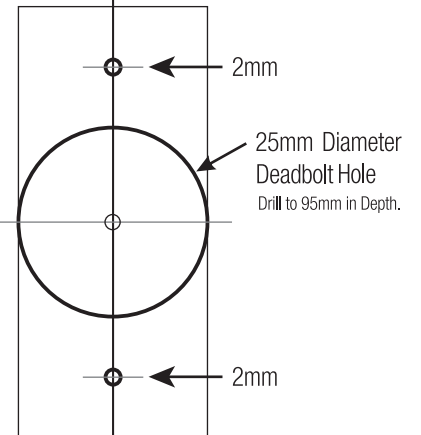
*Align with centre line on door edge*



## LATCH



## DEADBOLT



*Align with centre line on door edge*