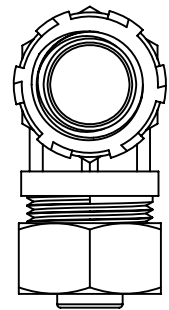
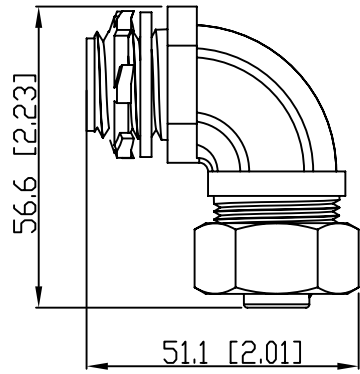
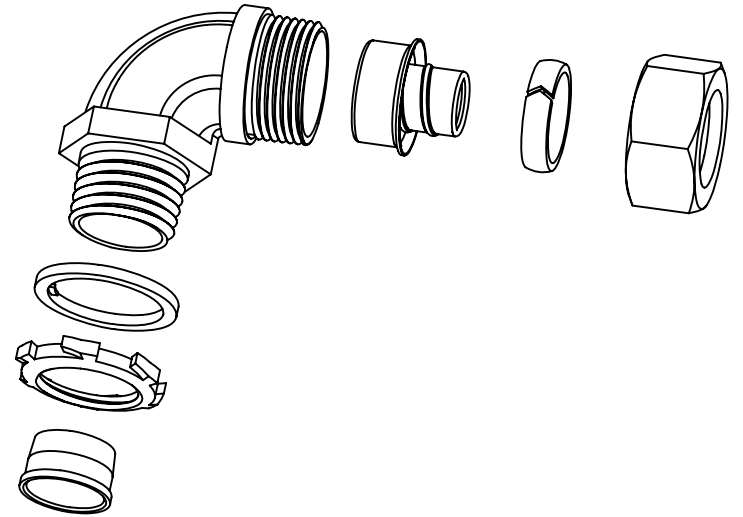
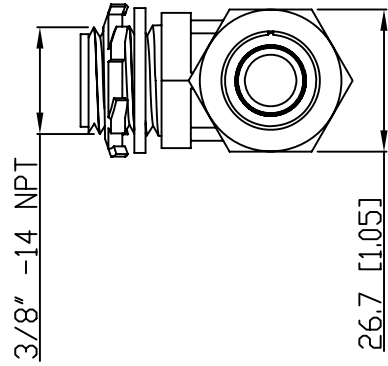


SIDES	BOTTOM
Material:Malleable Iron	



This data sheet is for reference only .GARVIN INDUSTRIES reserv the right to make changes to the design without prior notice.

DESCRIPTION
TRADE REFERENCE TERMS

STANDARD PACKING
20 PCS

<b>GARVIN INDUSTRIES</b>		
TITLE 90° Liquid Tight Conn, 3/8"		
SIZE A4	DWG NO. DS-LTC-3890	REV A