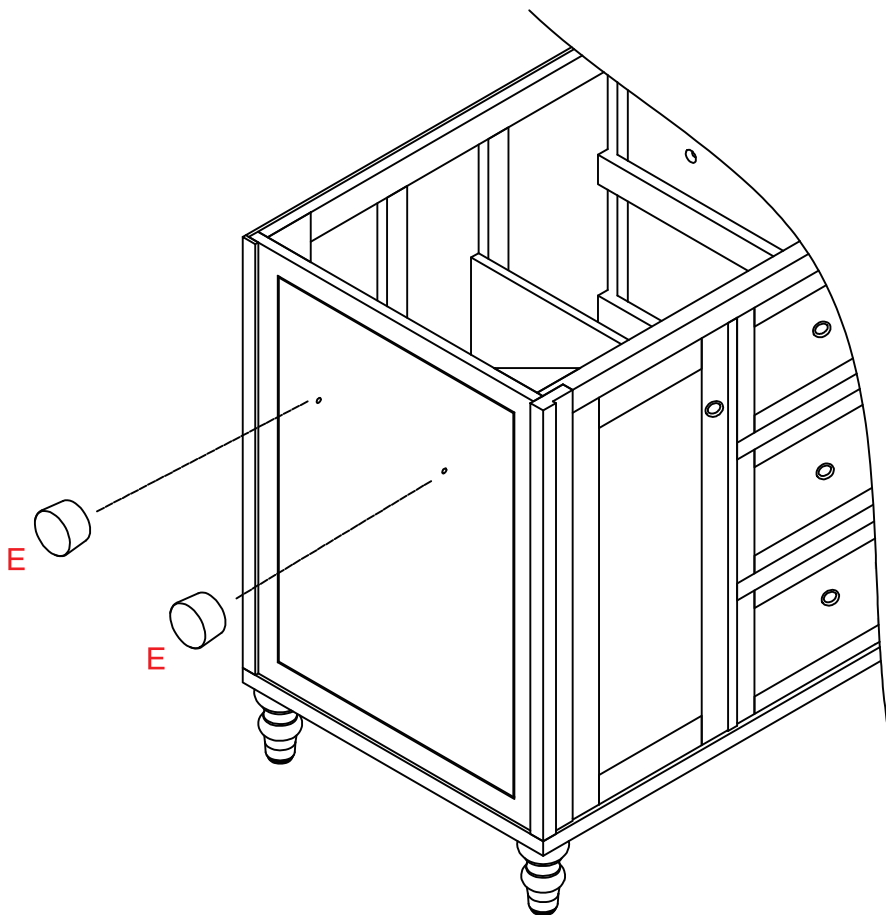




Copper Cove Encore Vanity Assembly Instructions:
301-V30 / 301-V48 / 301-V72



NOTE: If you don't want to use the towel bars, you can use the wooden plugs in the hardware bag to cover the holes on the both side.