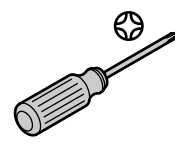
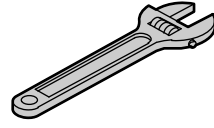


# KALLISTA®

Installation Guide



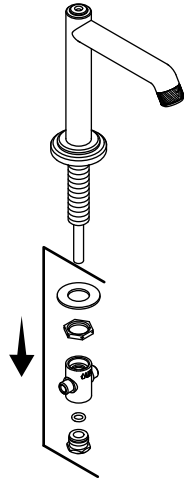
Stainless (Non-Staining) Plumbers Putty  
Mastic de plombier non tachant  
Masilla de plomería que no manche



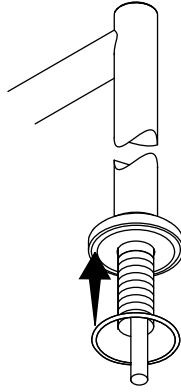
Sealant Tape  
Ruban d'étanchéité  
Cinta selladora

Do not use petroleum-based plumbers putty on marble or stone surfaces.

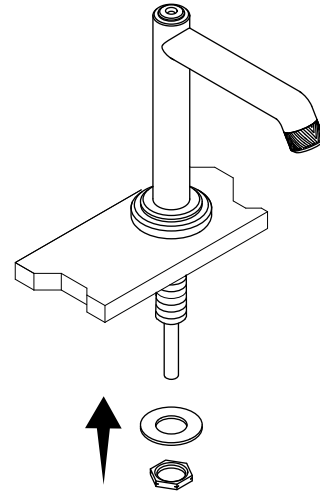
**1** Remove the bottom components. Disassemble the tee.



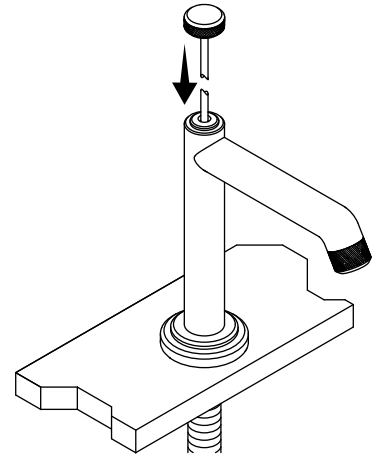
**2** Install the O-ring. Install the faucet.



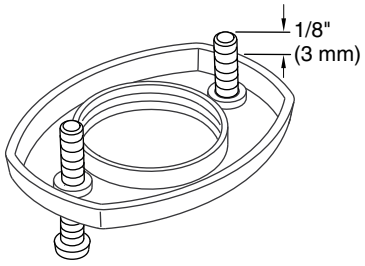
**3** Secure the faucet.



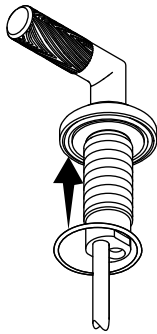
**4** Install the lift rod.



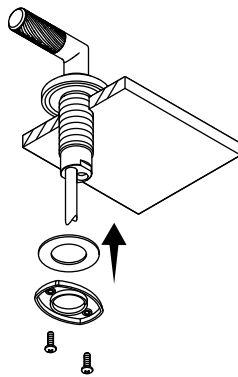
**5** Install the screws evenly into the ring until 1/8" (3 mm) is exposed.



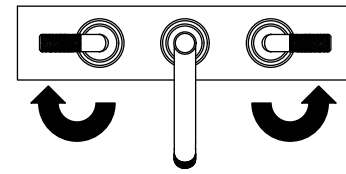
**6** Install the O-ring. Install the handle.



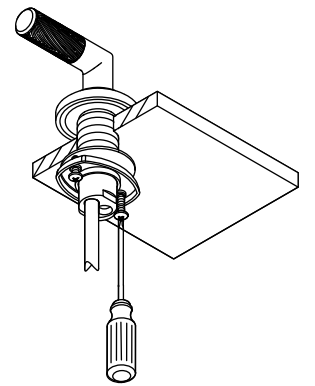
**7** Install the washer and ring. Do not tighten the screws.



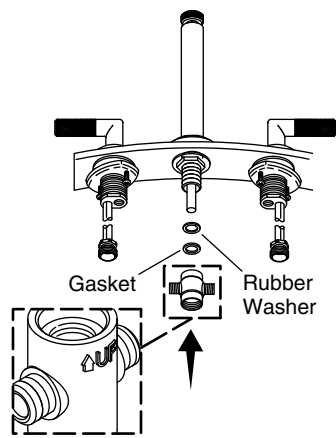
**8** Turn the handles to "Off." Align the handles.



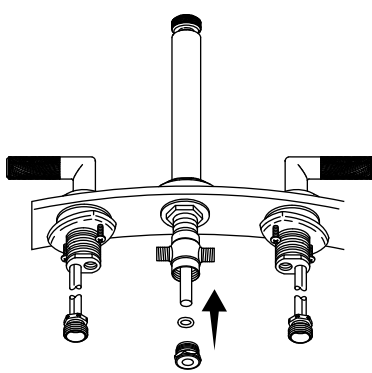
**9** Secure the handles.



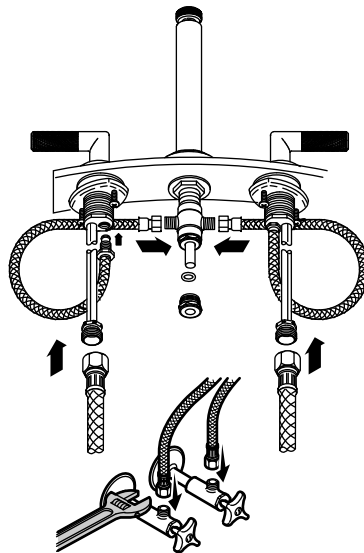
**10** Install and tighten the tee.



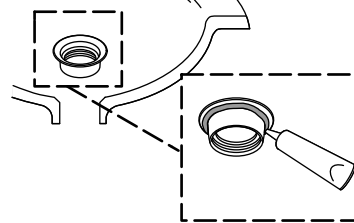
**11** Install the O-ring to the tee. Secure with the nut.



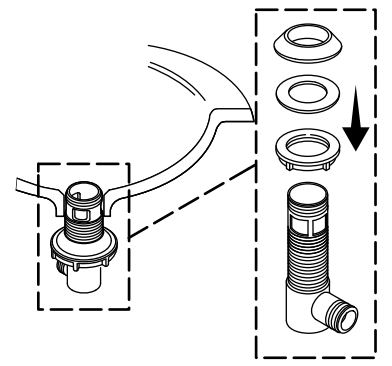
**12** Connect the hoses.



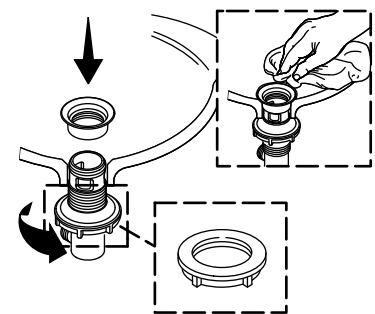
**13** Remove the cover and apply plumbers putty to the flange.



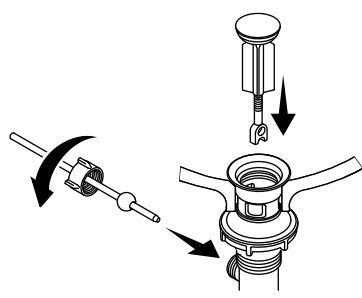
**14** Assemble the drain. Install the flange.



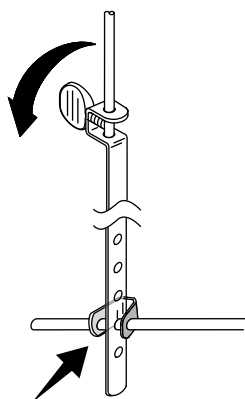
**15** Tighten the nut. Tighten the nut. Remove excess sealant.



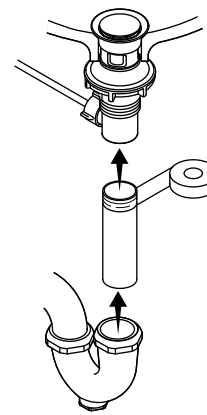
**16** Insert the rod and tighten the nut. Insert the stopper. If needed, turn the stopper bolt to adjust the height.



**17** Connect the lift rod using the spring clip. Tighten the thumbscrew. Connect the trap to the tailpiece.



**18** Apply thread sealant tape to the tailpiece and install.



**19** Remove the aerator. Turn on the water, flush the hoses, and check for leaks.

