

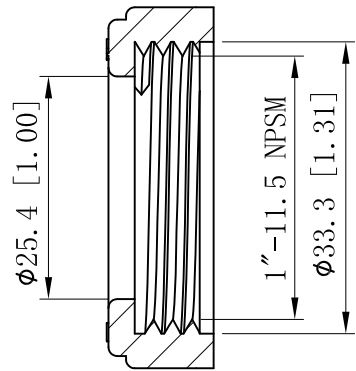
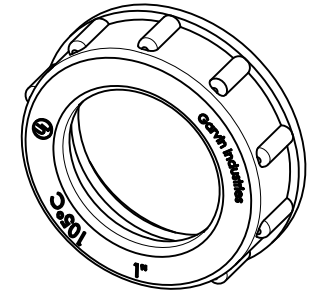
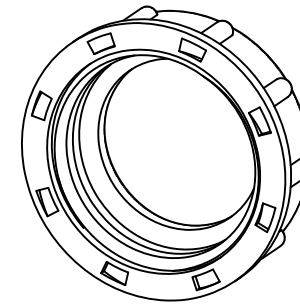
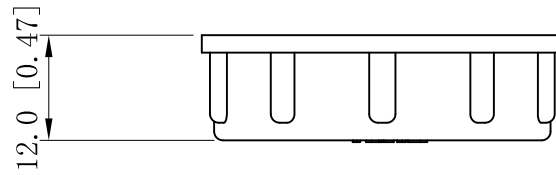
SIDES

BOTTOM

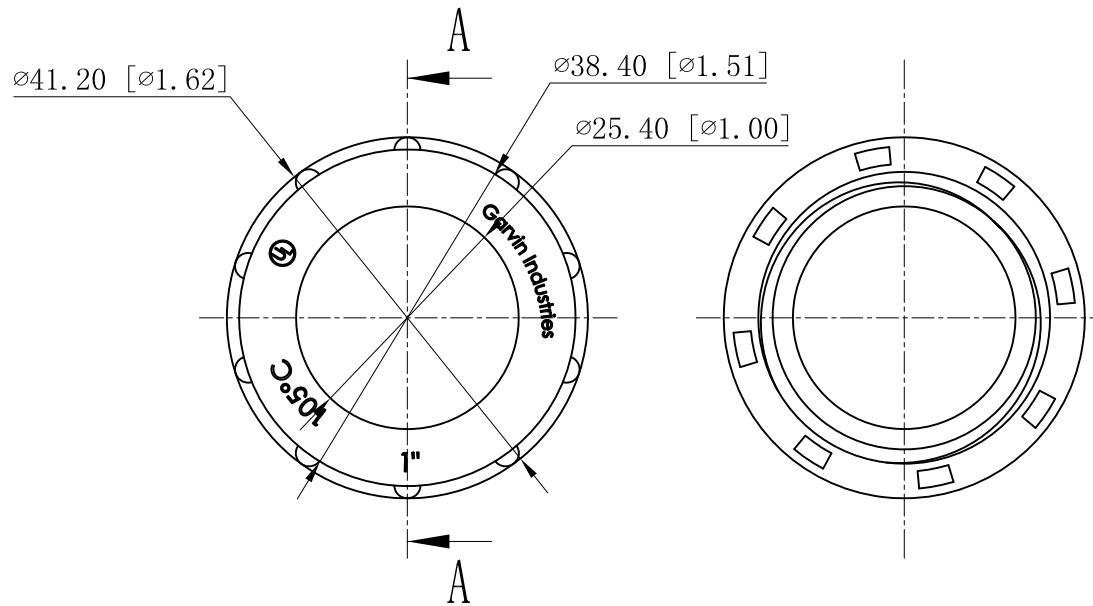
UL File #

E364151

Material:UL94 V-0, PP



CUTAWAY VIEW A-A



This data sheet is for reference only .GARVIN INDUSTRIES reserves the right to make changes to the design without prior notice.

DESCRIPTION
TRADE REFERENCE TERMS

STANDARD PACKING
100 PCS

<b>GARVIN INDUSTRIES</b>		
TITLE <b>INSULATING BUSHING</b>		
SIZE A4	DWG NO. IBT-100	REV B
DATA SHEET		
<a href="http://www.garvinindustries.com">www.garvinindustries.com</a>		