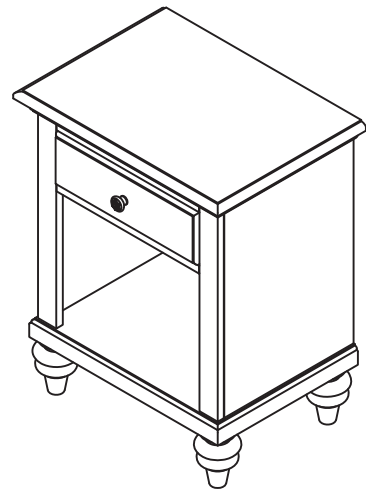


# Night Stand



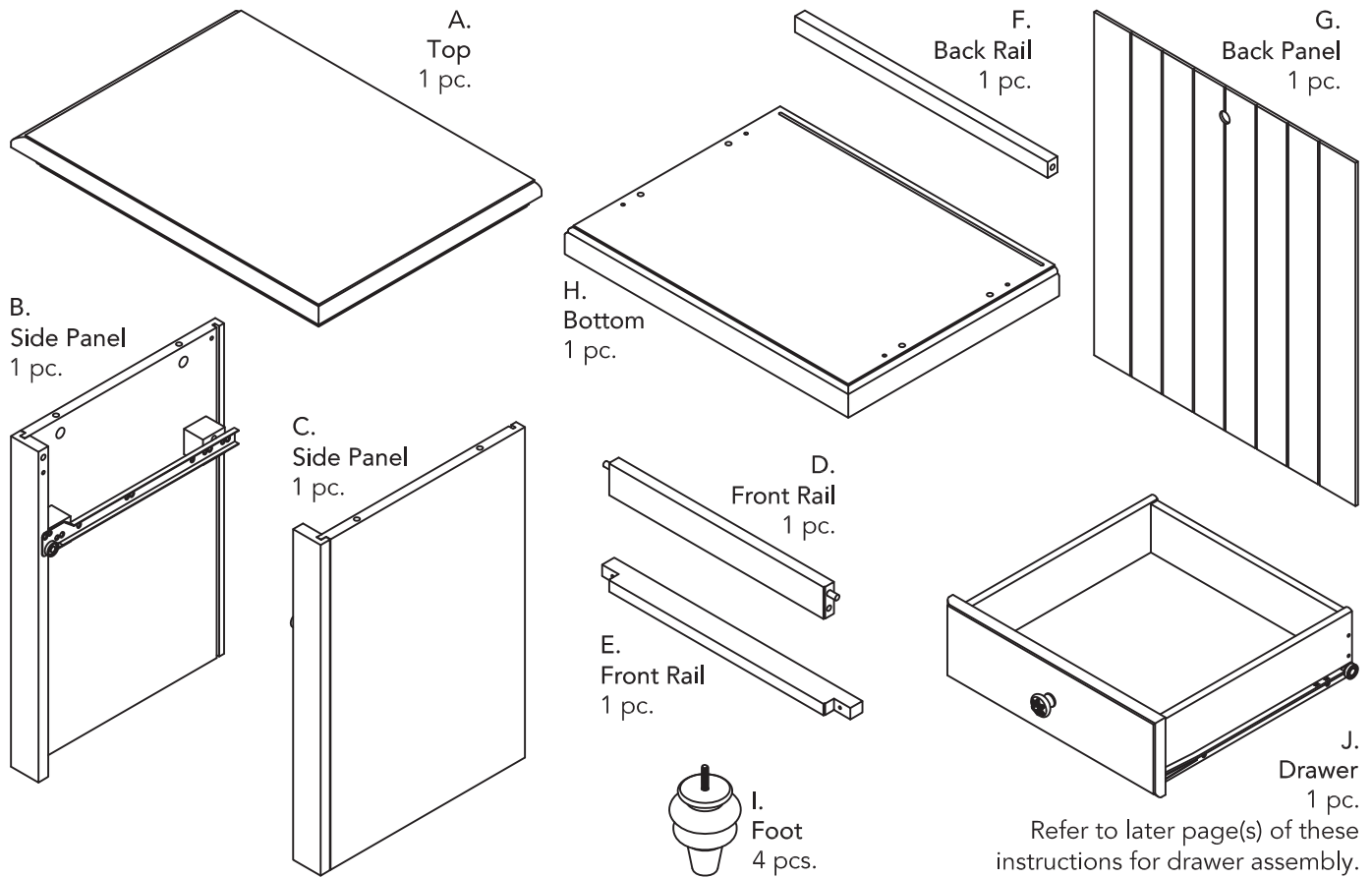
## IMPORTANT

Carefully remove all the parts from the carton and place them individually on a soft cloth to prevent scratches or other damage.

Carefully and strictly follow these assembly instructions to ensure a completed product as designed.

Do not use power tools above 8 volts to assemble.


## Part List





## Hardware List


  
Cam Lock Screw  
8 pcs. (+2 extra)

  
Cam Lock  
8 pcs. (+2 extra)

  
M4x51  
2" Round Head Screw  
4 pcs. (+1 extra)


  
M3x32  
1 1/4" Round Head Screw  
2 pcs. (+1 extra)

  
M3x32  
1 1/4" Flat Head Screw  
8 pcs. (+1 extra)

  
M3x19  
3/4" Flat Head Screw  
3 pcs. (+1 extra)

  
Machine Screw  
1 pc.

  
Knob  
1 pc.

  
Dowel  
4 pcs. (+1 extra)

Tool(s) required for assembly: Phillips screwdriver, Level, Pencil, Drill (8 volts or less), 3/8" Drill Bit

Home Styles Customer Service: [www.homestyles-furniture.com](http://www.homestyles-furniture.com),  
servicedesk@homestyles-furniture.com, 888-680-7460, 877-831-0319

# Assembly Instructions 2/8

## IMPORTANT

- Use a soft cloth between these parts and the floor.
- Do not use power tools above 8 volts to assemble.
- Do not tighten all the screws until each part is properly assembled.

## STEP 1

Insert Cam Lock Screws into pre-drilled holes in Top (A) and Side Panels (B), (C), then tighten.

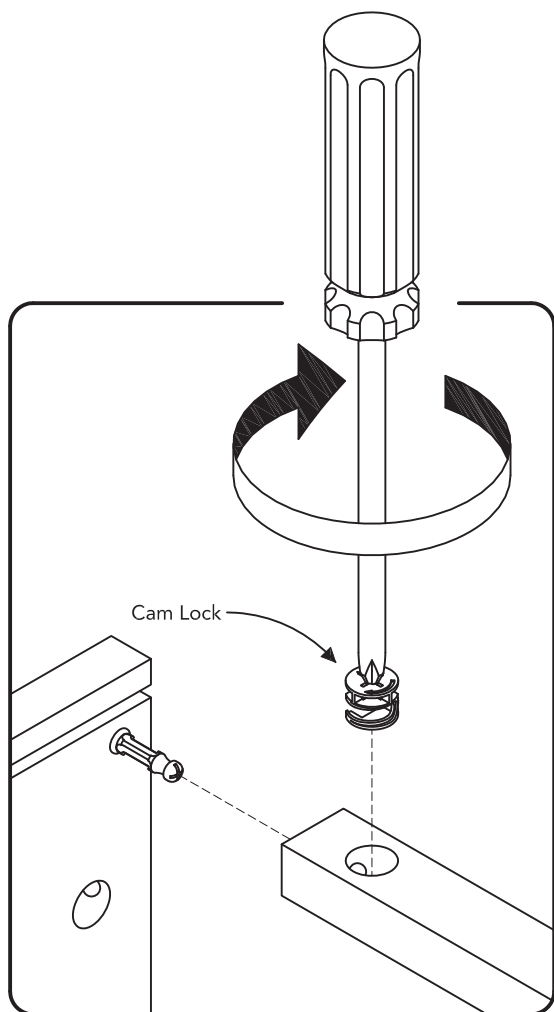
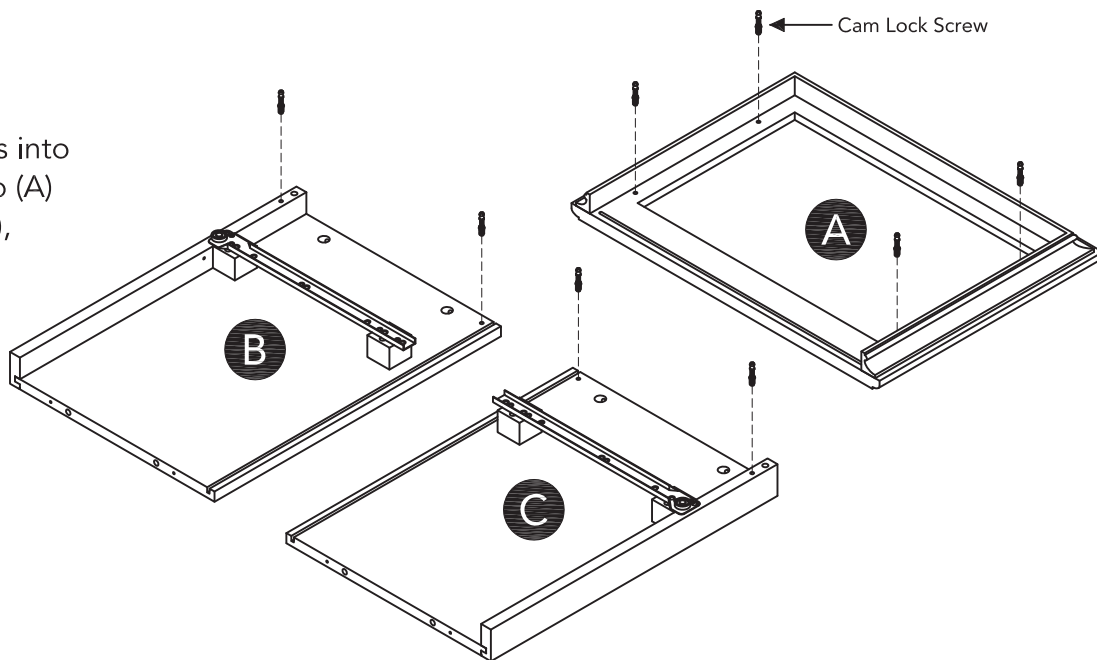
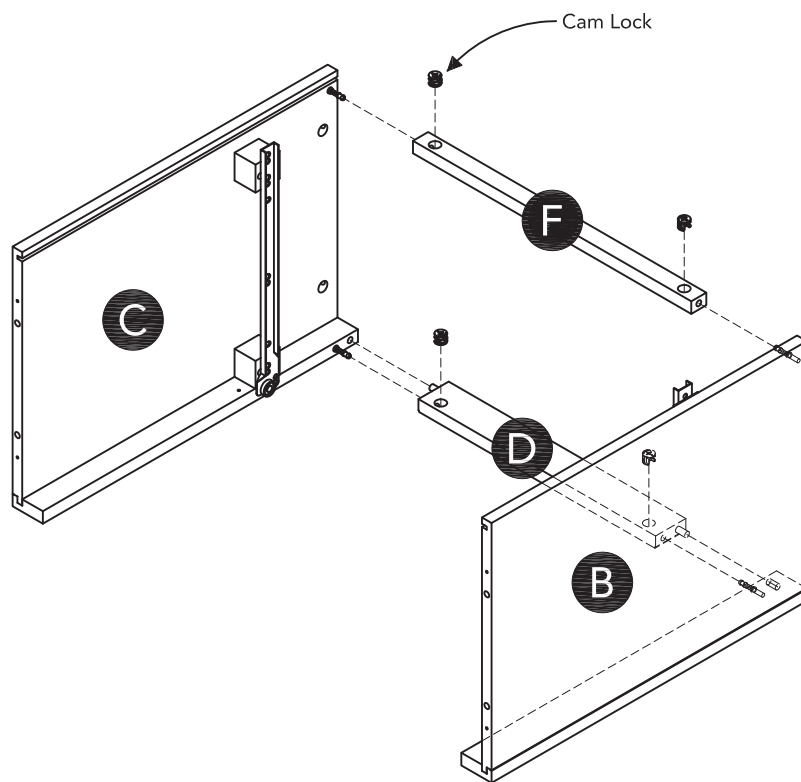


Figure 1



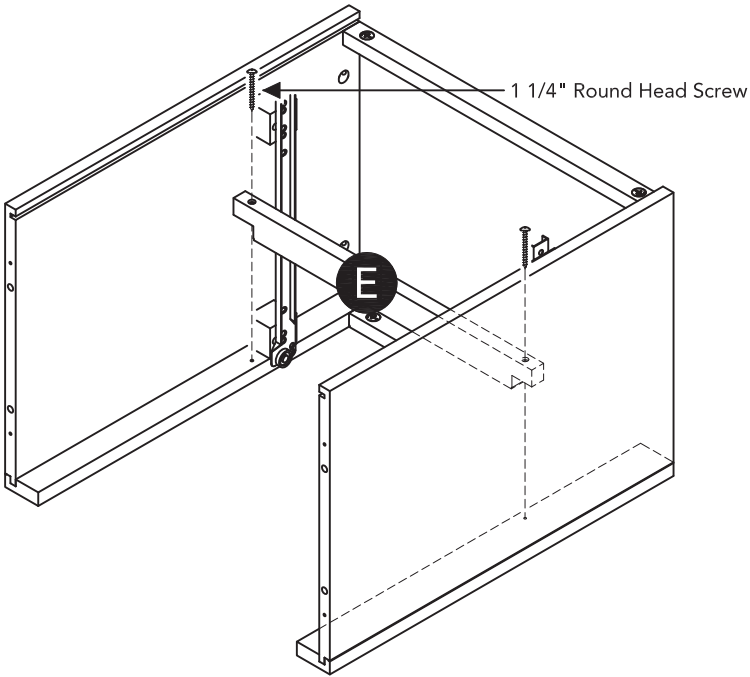
## STEP 2

Attach Front Rail (D) and Back Rail (F) to Side Panels (B) and (C) with Cam Locks. (See Figure 1)

# Assembly Instructions 3/8

## STEP 3

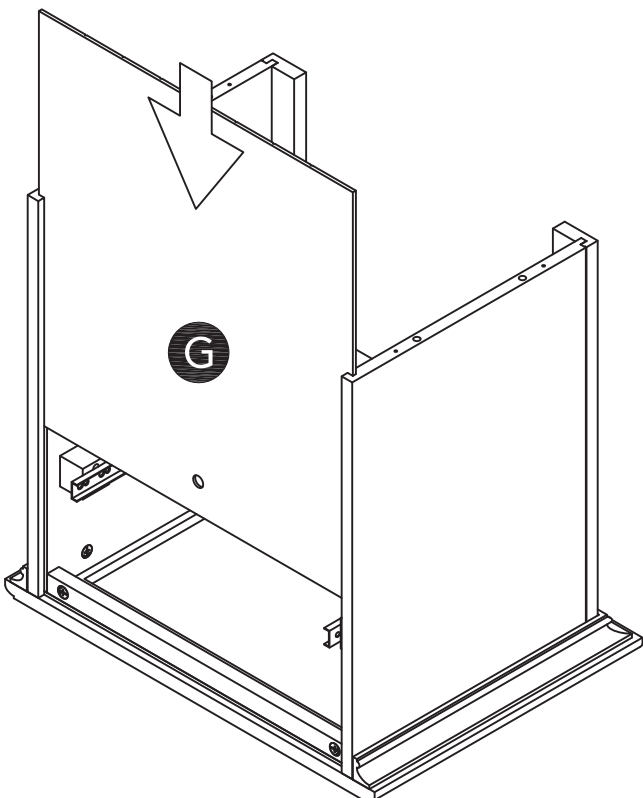
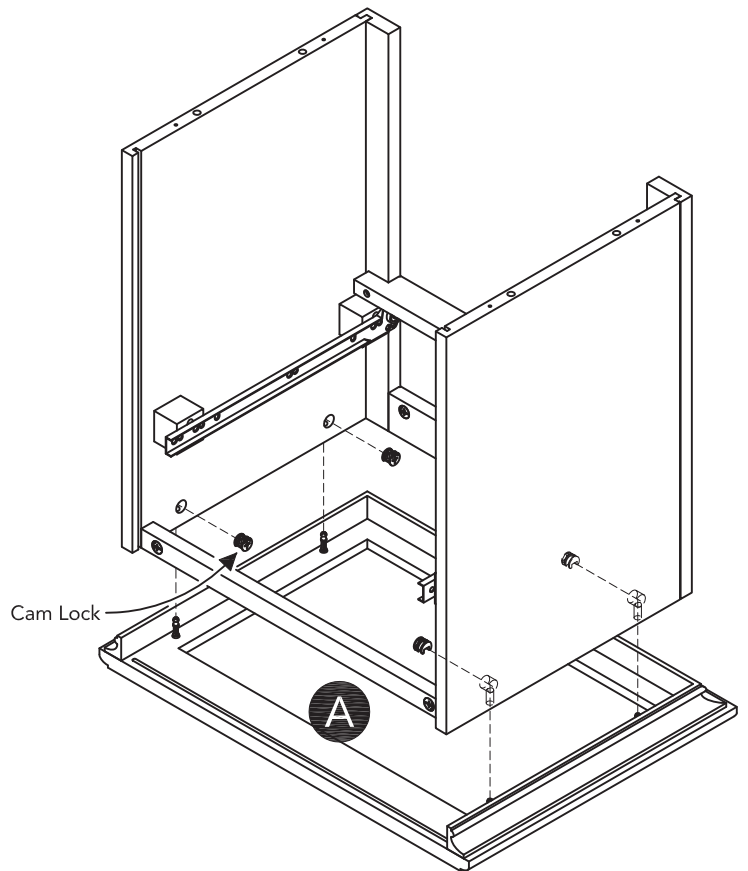
Attach Front Rail (E) to unit with 1 1/4" Round Head Screws.



## STEP 4

Place Top (A) upside down on a soft cloth.

Attach unit to Top (A) with Cam Locks.



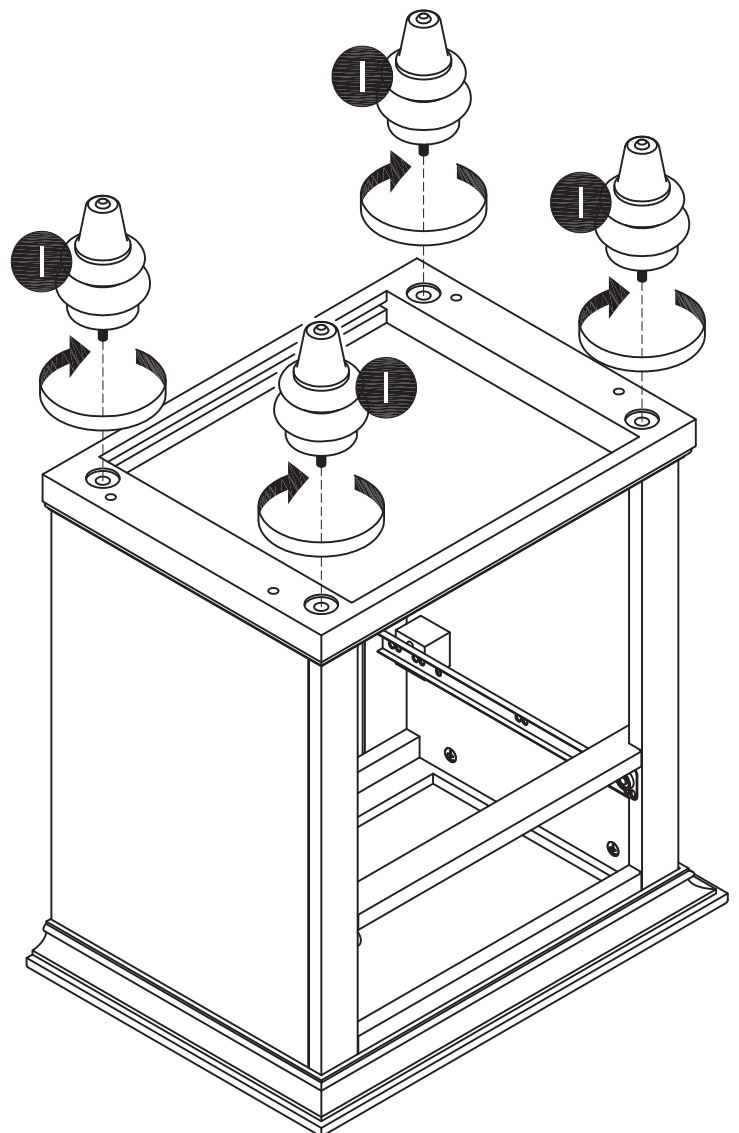
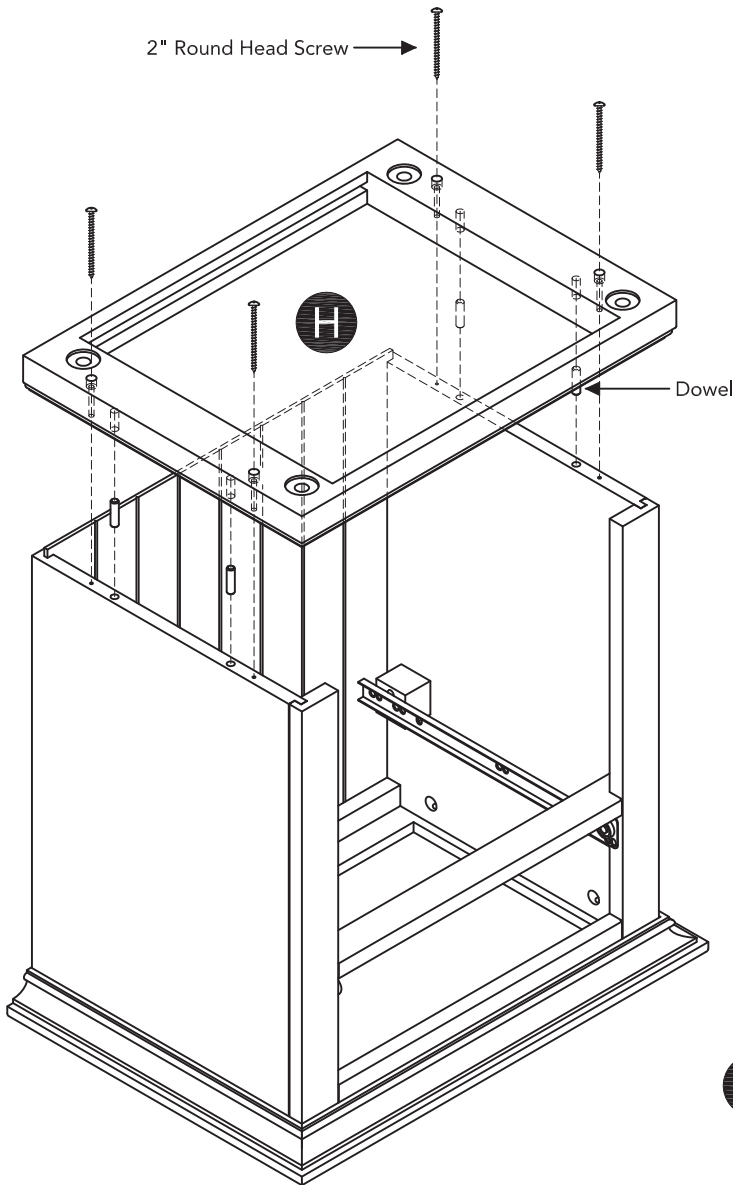
## STEP 5

Slide Back Panel (G) into position.

# Assembly Instructions 4/8

## STEP 6

Attach Bottom (H) to unit with Dowels and 2" Round Head Screws.



## STEP 7

Attach Feet (I) to unit.

# Assembly Instructions 5/8

## IMPORTANT

- To help reduce the risk of the unit tipping over, the Tipover Restraint must be installed following these instructions exactly.

## STEP 8

Place unit at desired location.

Mark wall with pencil to show position of hole in Back Panel (G). (See Figure 2)

Move unit.

Drill a 3/8" hole in wall 1" below mark.

Insert Anchor into the wall hole and attach Tipover Restraint to Anchor with 1 1/2" Round Head Screw and Flat Washer. (See Figure 3)

Move unit back into place and insert Tipover Restraint into unit through hole in Back Panel (G). (See Figure 4)

Attach Tipover Restraint to unit with 1/2" Round Head Screw and Flat Washer. (See Figure 5)

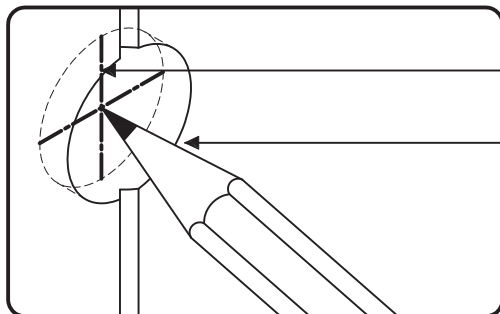
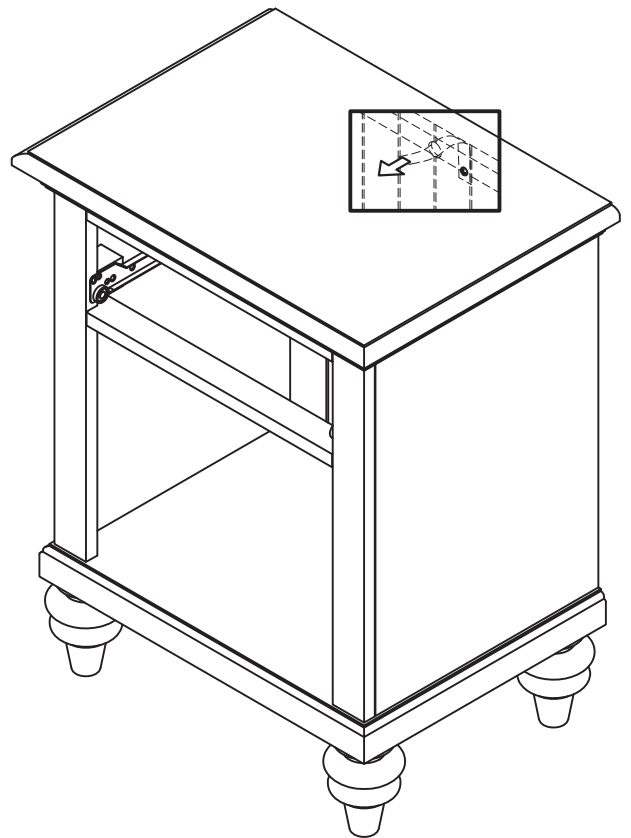


Figure 2

Pencil mark  
Hole in Back Panel (G)

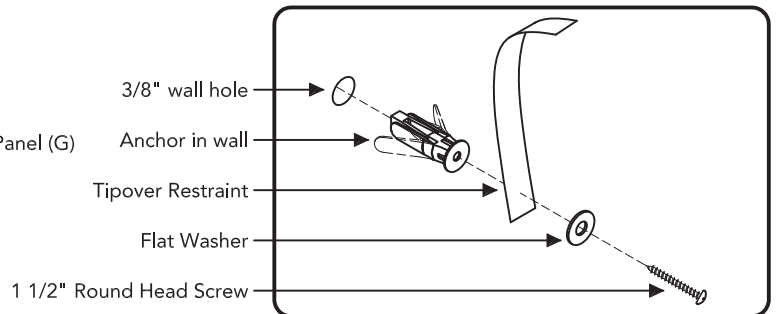


Figure 3

3/8" wall hole  
Anchor in wall  
Tipover Restraint  
Flat Washer  
1 1/2" Round Head Screw

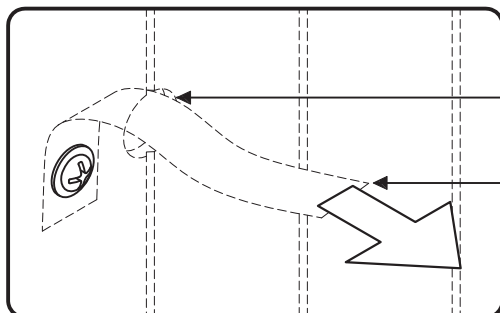


Figure 4

Hole in Back Panel (G)  
Tipover Restraint

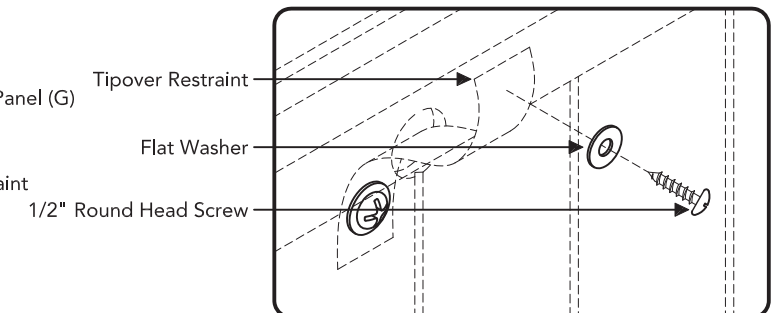
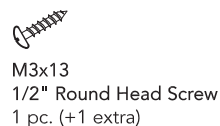
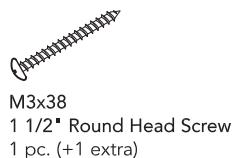
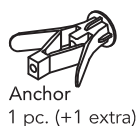


Figure 5

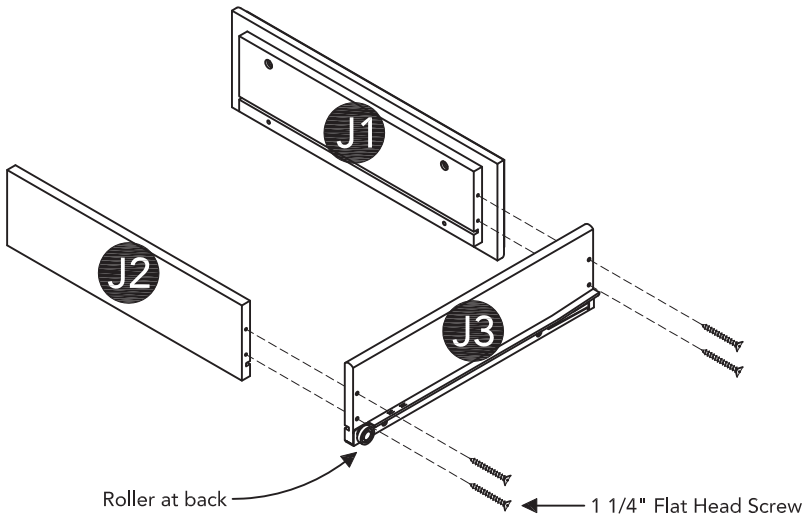
Tipover Restraint  
Flat Washer  
1/2" Round Head Screw

## Hardware List



# Assembly Instructions 6/8

## Drawer (J)



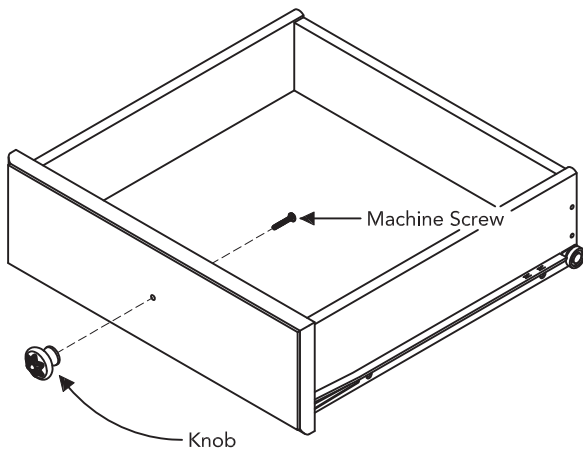
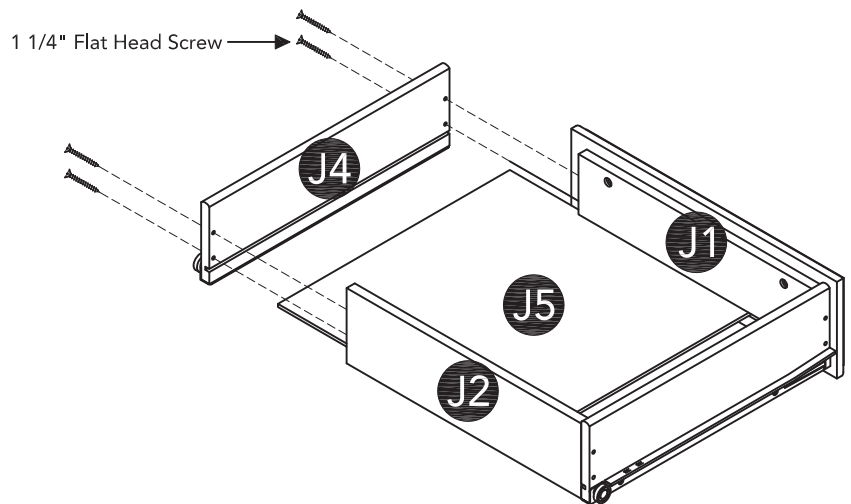
### STEP 9

Attach Drawer Side (J3) to Drawer Front (J1) and Drawer Back (J2) with 1 1/4" Flat Head Screws.

### STEP 10

Insert Drawer Bottom (J5) into groove.

Attach Drawer Side (J4) to unit with 1 1/4" Flat Head Screws.

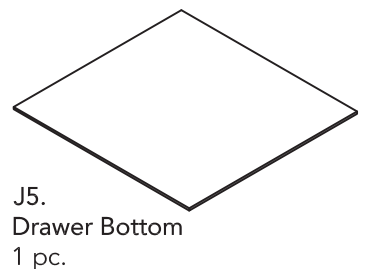
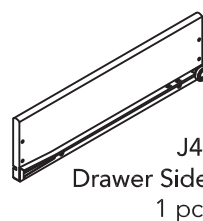
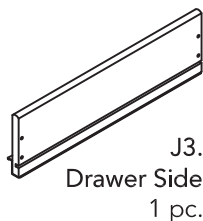
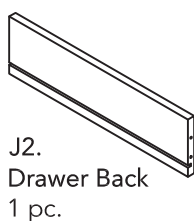
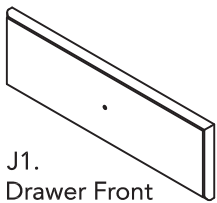


### STEP 11

Attach Knob with Machine Screw.

Note: Drawer assembly is not complete until 3/4" Flat Head Screws are used in a later step.

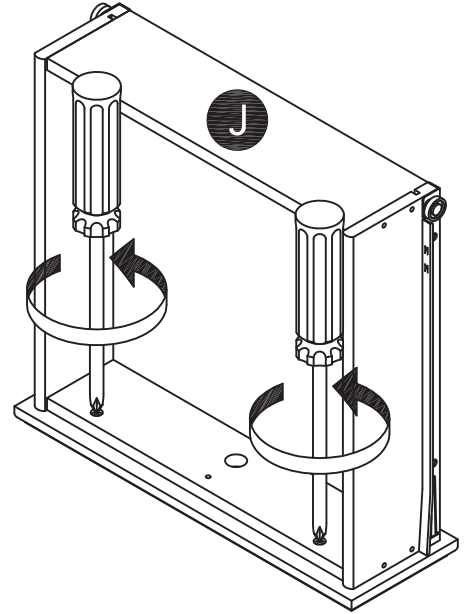
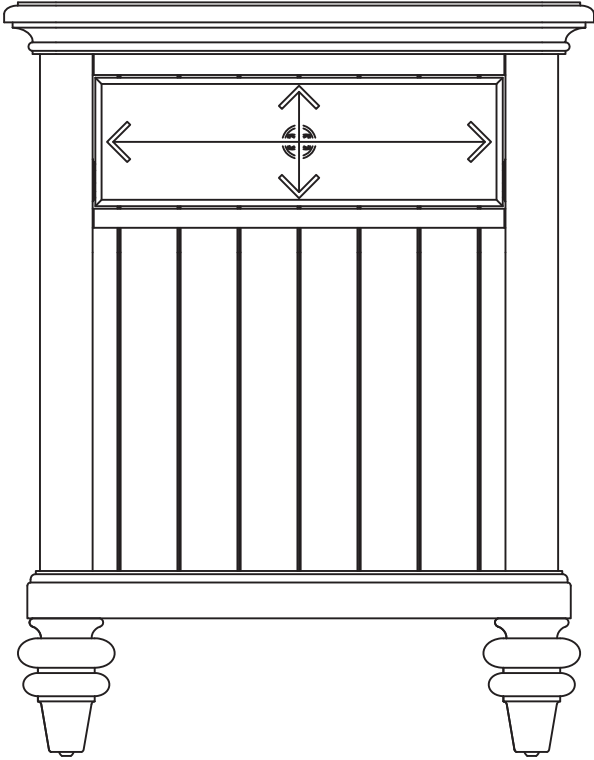
### Part List



## Assembly Instructions 7/8

### STEP 12

Loosen slightly screws pre-installed on back of drawer front.



### STEP 13

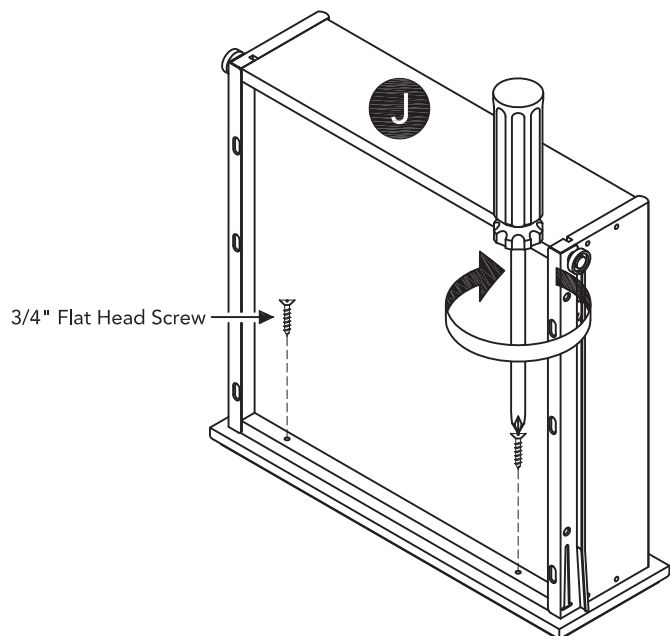
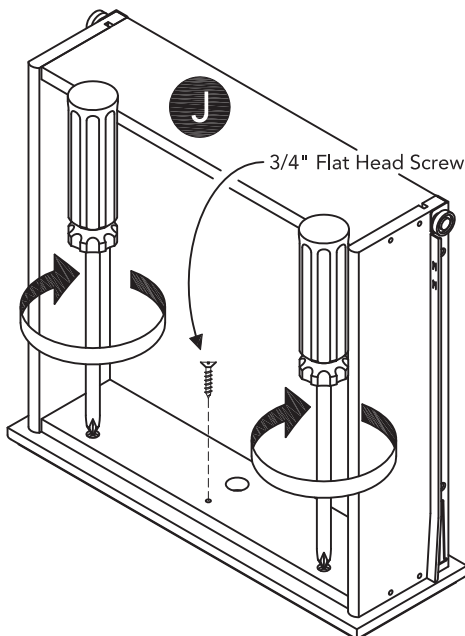
Insert drawer into unit, then adjust drawer front panel left or right and up or down until drawer gaps look proportional.

### STEP 14

Pull drawer open slowly, then re-tighten screws from Step 12.

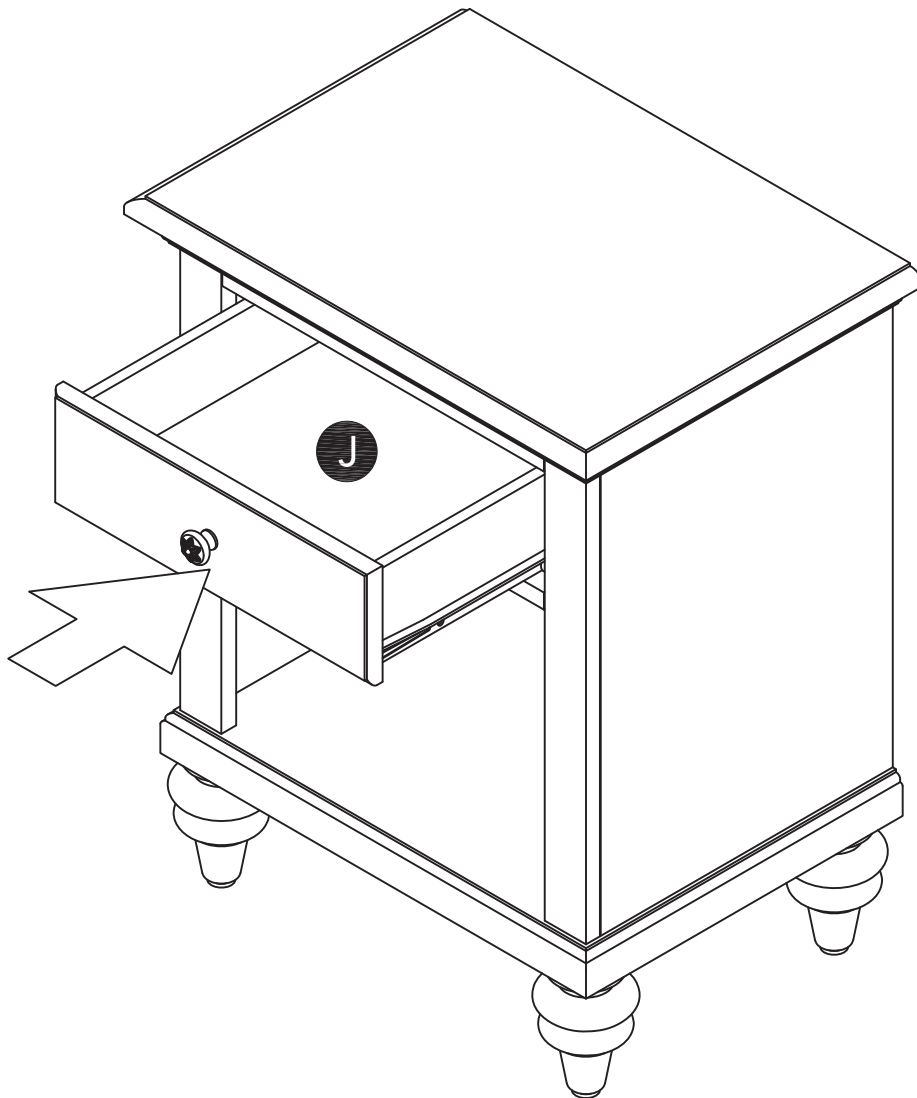
Make sure the front panel does not move and lock drawer front panel into position with 3/4" Flat Head Screws.

Note: These 3/4" Flat Head Screws must be installed to complete the drawer assembly.



STEP 15

Slide Drawer (J) into position.





# CARE INSTRUCTIONS

## NEVER

allow liquids to remain on furniture.  
Absorption causes parts to warp  
and split and finishes to delaminate.

## NEVER

use glass cleaners on  
finished furniture. Ammonia  
chemically attacks the finish.



Do not use power tools  
above 8 volts to assemble.

**PREVENT  
CRACKING**



Do not place  
in direct sunlight.

**PREVENT  
FADING**



Do not write  
directly on surface.

**PREVENT  
MARKING**



Do not place hot  
objects on surface.

**PREVENT  
FINISH DAMAGE**



Do not use rubber  
based placemats.

**PREVENT  
DISCOLORING**



Do not use commercial  
waxes and polishes.

**PREVENT  
YELLOWING**

## CLEAN

with a soft cloth moistened  
in lukewarm soap and water.  
Buff with a dry clean cloth.



Home Styles will provide replacements free of charge for missing or damaged hardware or parts within 30 days of purchase. Digital images of the defective parts may be required. If the product was not purchased from an authorized retail affiliate, Home Styles is under no obligation to provide replacement parts. Parts are not available for fully assembled items nor are parts available for sale. Replacements for missing or damaged hardware or parts may be requested at:

[www.homestyles-furniture.com/customer-service/replacement-parts](http://www.homestyles-furniture.com/customer-service/replacement-parts)

Home Styles Customer Service: [www.homestyles-furniture.com](http://www.homestyles-furniture.com),  
[servicedesk@homestyles-furniture.com](mailto:servicedesk@homestyles-furniture.com), 888-680-7460, 877-831-0319