

HADLEY QUEEN / FULL BED

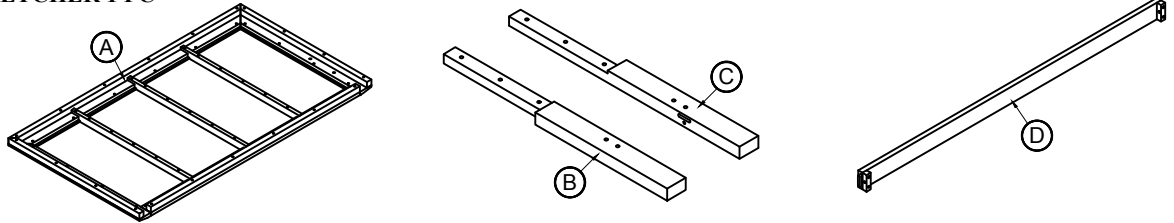
ASSEMBLY INSTRUCTIONS



PARTS AND PACKAGING DETAIL

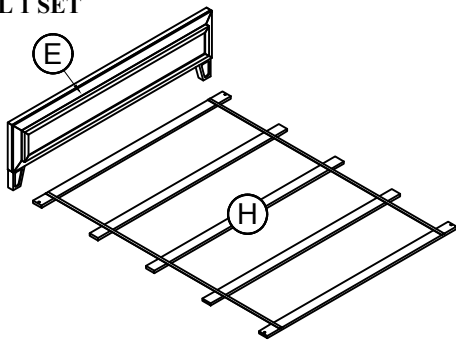
BOX #1

- A. HEADBOARD PANEL 1 PC
- B. LEFT PANEL LEG 1 PC
- C. RIGHT PANEL LEG 1 PC
- D. HEADBOARD STRETCHER 1 PC



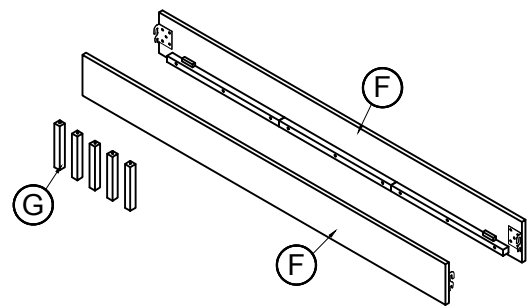
BOX #2

- E. FOOTBOARD 1 PC
- H. SLAT ROLL 1 SET



BOX #3

- F. SIDE RAIL 2 PCS
- G. SUPPORT LEG 5 PCS



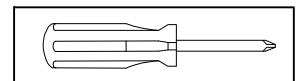
HARDWARE PACKED IN BOX #1

H1	ALLEN HEAD BOLT (M6x40)		2
H2	ALLEN HEAD BOLT (M8x50)		6
H3	LOCK WASHER (M9x13)		8
H4	FLAT WASHER (M8x20)		8
H5	ALLEN KEY		1

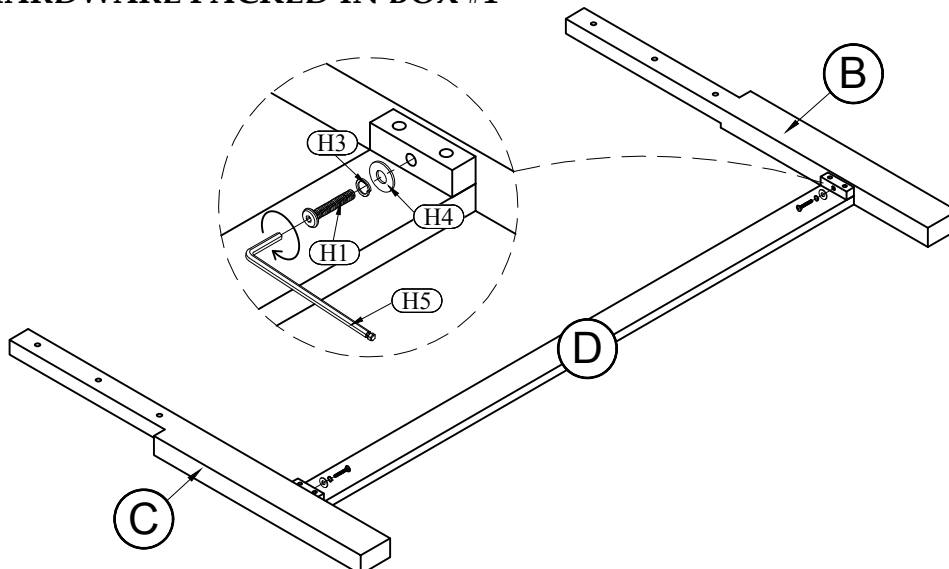
HARDWARE PACKED IN BOX #2

H6	ALLEN HEAD BOLT (M8x20)		8
H7	LOCK WASHER (M9x13)		8
H8	FLAT WASHER (M8x20)		8
H9	ALLEN KEY		1
H10	WOOD SCREW (M4x25)		4

**TOOL REQUIRED: PHILLIPS HEAD SCREW DRIVER
(NOT PROVIDED)**



STEP 1: USE HARDWARE PACKED IN BOX #1

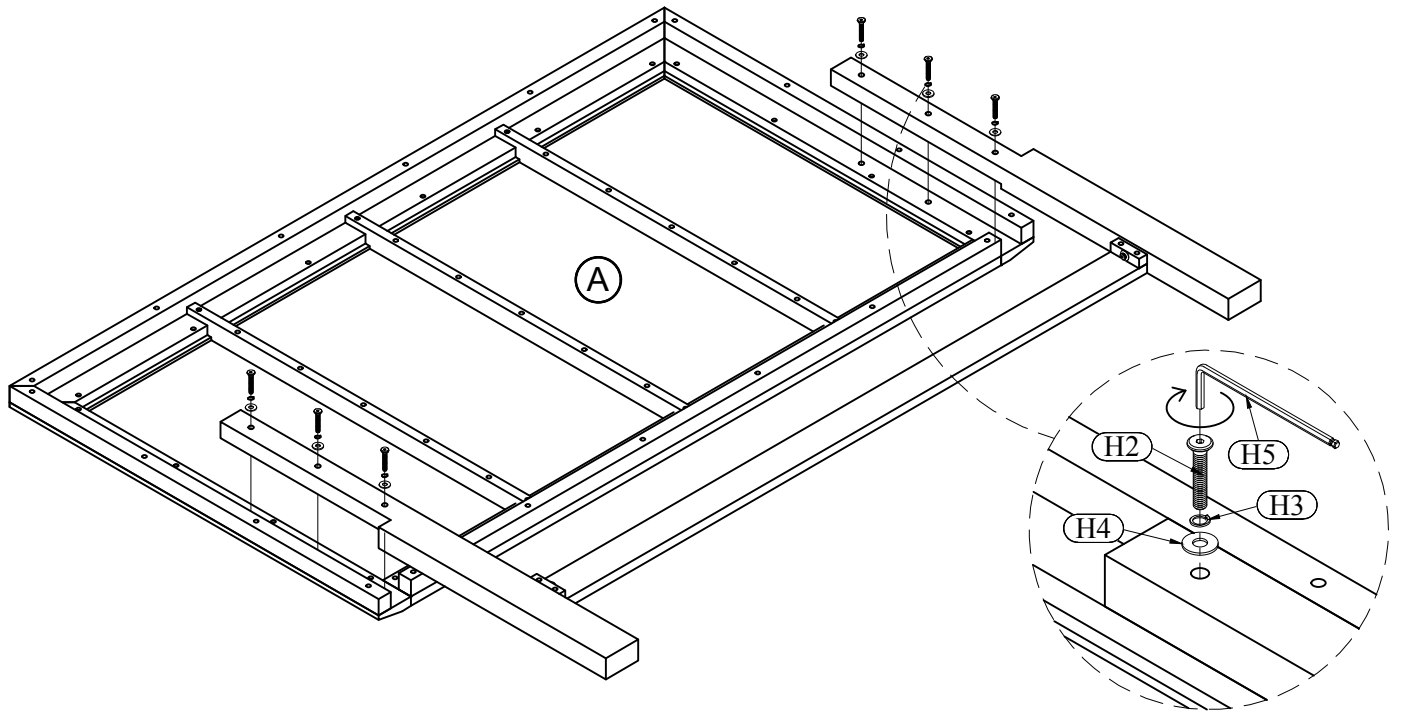


HADLEY QUEEN / FULL BED

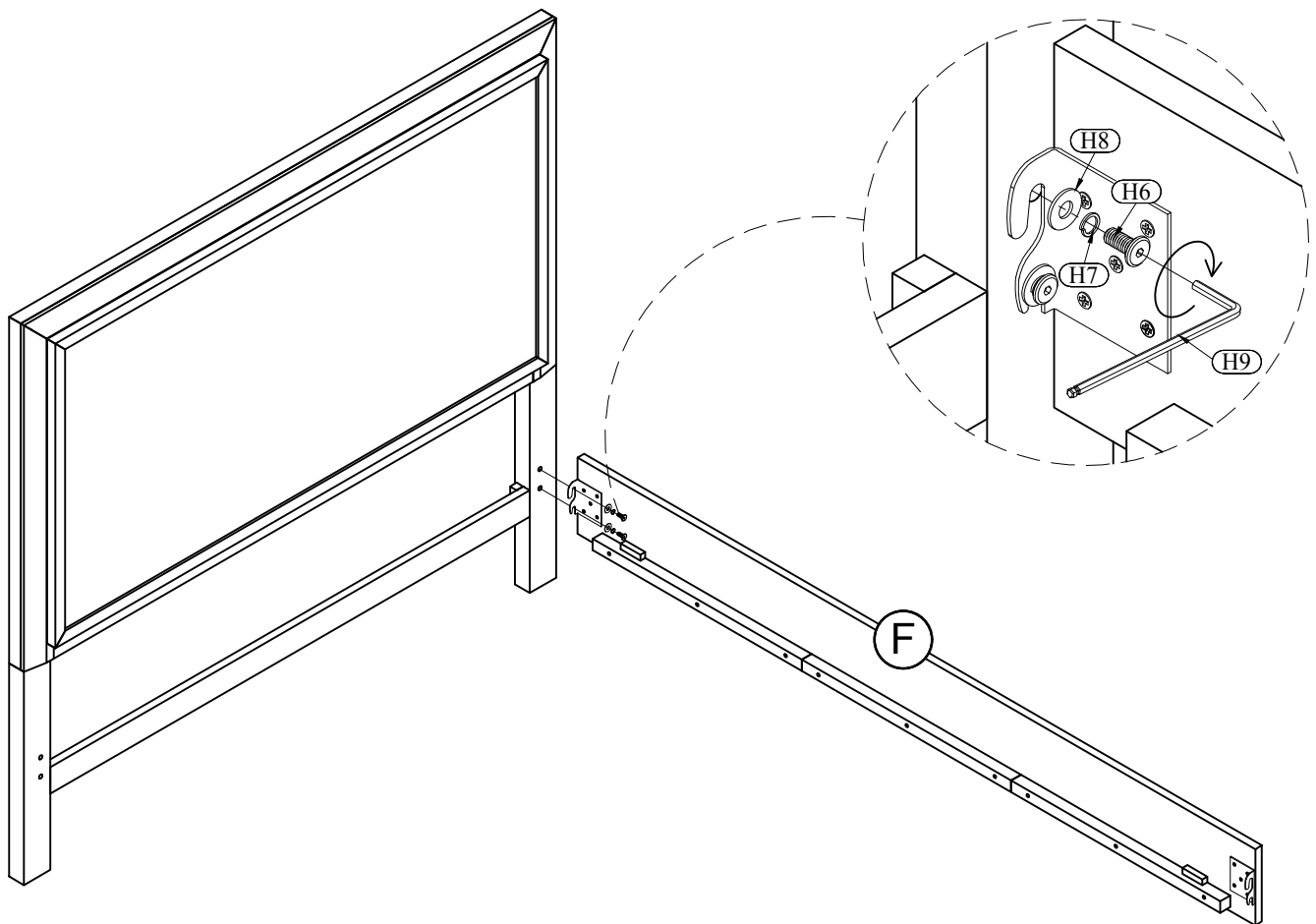
ASSEMBLY INSTRUCTIONS

MODUS
FURNITURE

STEP 2: USE HARDWARE PACKED IN BOX #1



STEP 3: USE HARDWARE PACKED IN BOX #2 FOR REMAINING STEPS

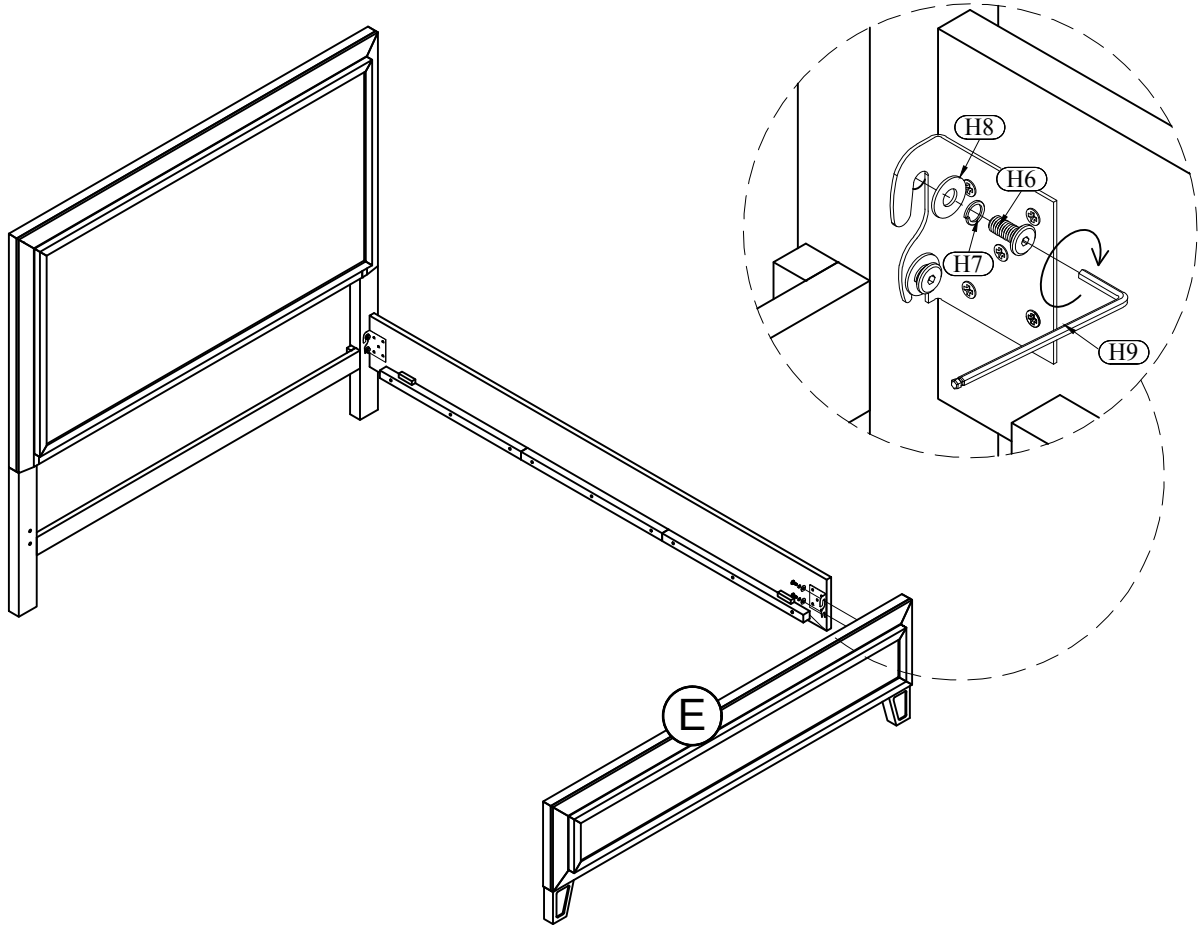


HADLEY QUEEN / FULL BED

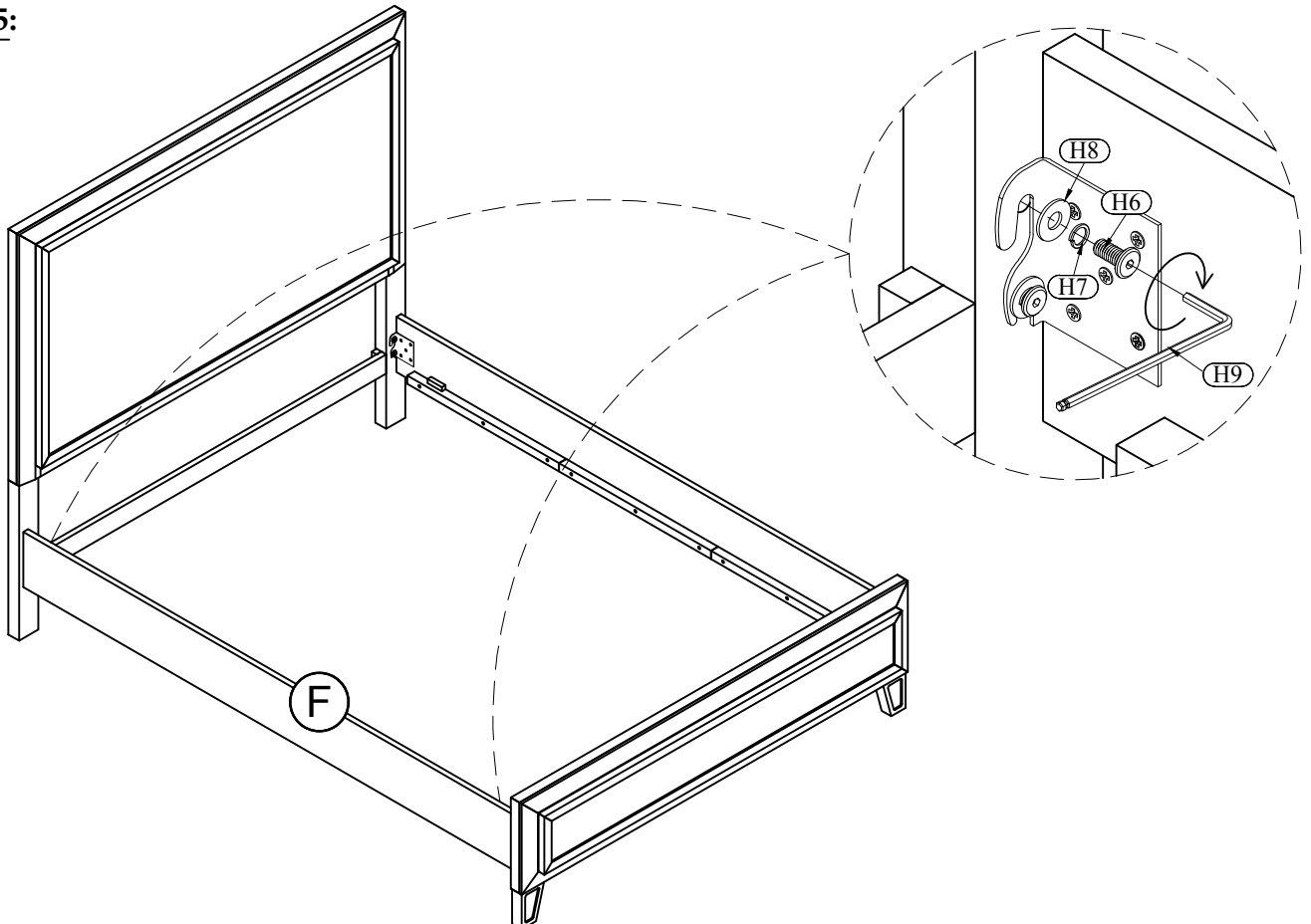
ASSEMBLY INSTRUCTIONS

MODUS
FURNITURE

STEP 4:



STEP 5:

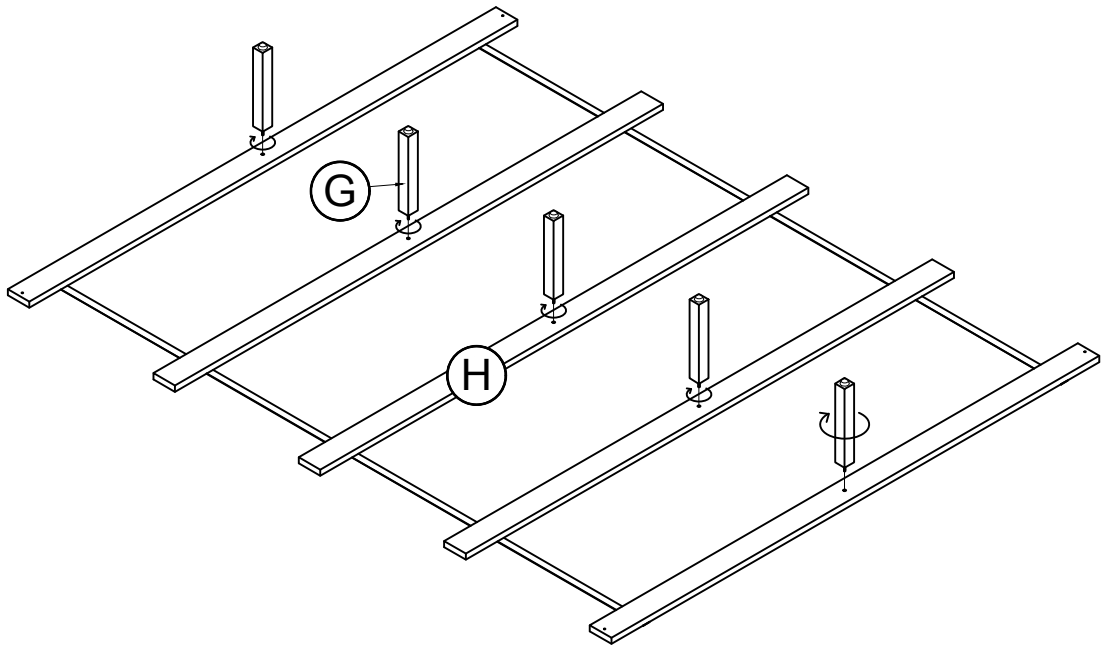


HADLEY QUEEN / FULL BED

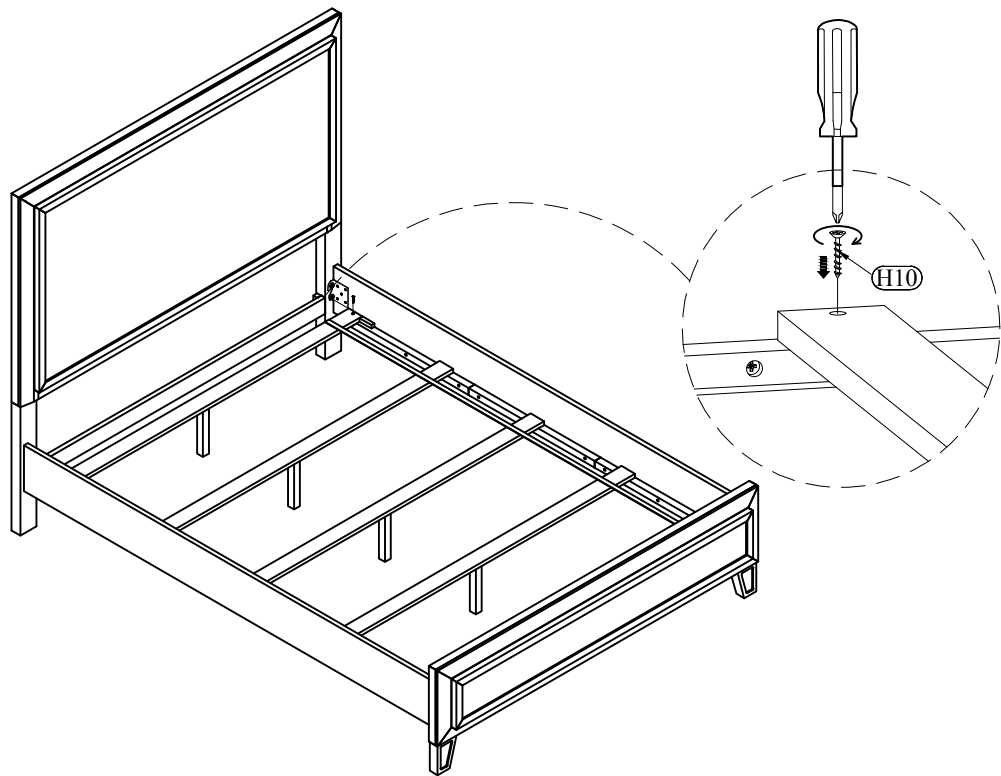
ASSEMBLY INSTRUCTIONS

MODUS
FURNITURE

STEP 6:



STEP 7:

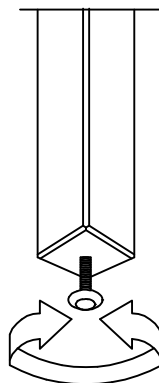


INSTRUCTIONS FOR ADJUSTING LEVELERS:

Position the bed in your room.
Locate levelers under each leg support.

Turn counter-clockwise to extend,
clockwise to contract.

Adjust levelers until each leg support is
applying equal upward pressure on the
bed slat.



MAINTENANCE INSTRUCTION:

- Remove box spring and mattress before moving your bed
- Lift your bed when moving it. Dragging can damage leg support.
- Readjust levelers after moving your bed.

HADLEY CAL KING / KING BED

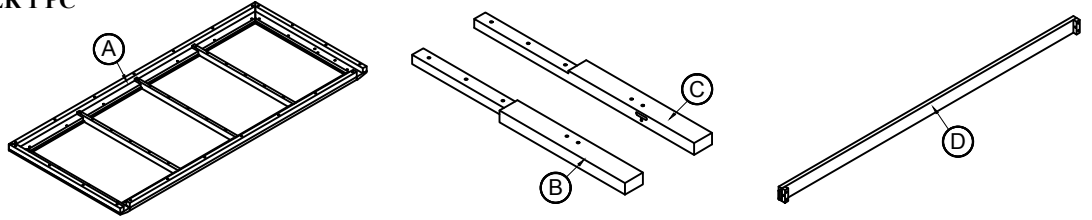
ASSEMBLY INSTRUCTIONS

MODUS
FURNITURE

PARTS AND PACKAGING DETAIL

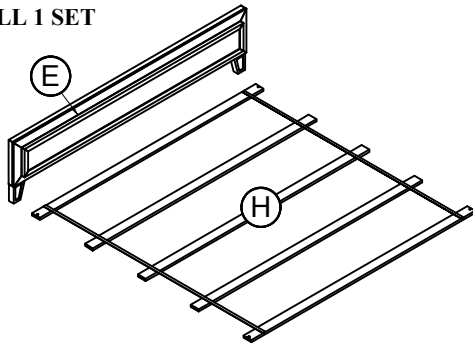
BOX #1

- A. HEADBOARD PANEL 1 PC
- B. LEFT PANEL LEG 1 PC
- C. RIGHT PANEL LEG 1 PC
- D. HEADBOARD STRETCHER 1 PC



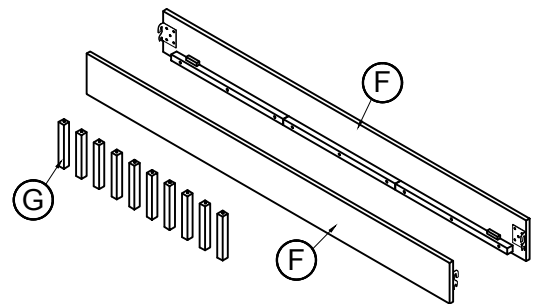
BOX #2

- E. FOOTBOARD 1 PC
- H. SLAT ROLL 1 SET



BOX #3

- F. SIDE RAIL 2 PCS
- G. SUPPORT LEG 10 PCS



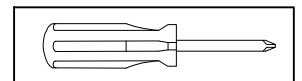
HARDWARE PACKED IN BOX #1

H1	ALLEN HEAD BOLT (M6x40)		2
H2	ALLEN HEAD BOLT (M8x50)		6
H3	LOCK WASHER (M9x13)		8
H4	FLAT WASHER (M8x20)		8
H5	ALLEN KEY		1

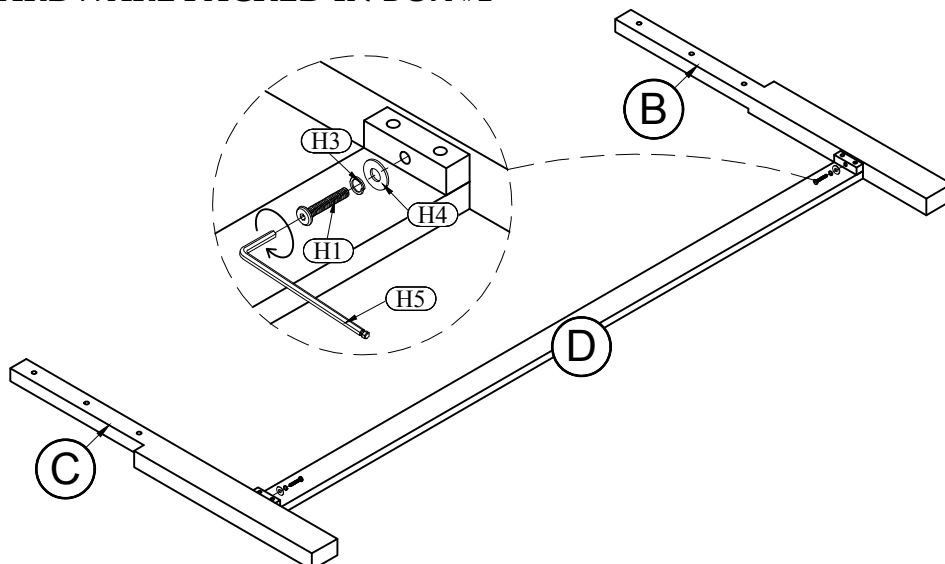
HARDWARE PACKED IN BOX #2

H6	ALLEN HEAD BOLT (M8x20)		8
H7	LOCK WASHER (M9x13)		8
H8	FLAT WASHER (M8x20)		8
H9	ALLEN KEY		1
H10	WOOD SCREW (M4x25)		4

**TOOL REQUIRED: PHILLIPS HEAD SCREW DRIVER
(NOT PROVIDED)**



STEP 1: USE HARDWARE PACKED IN BOX #1

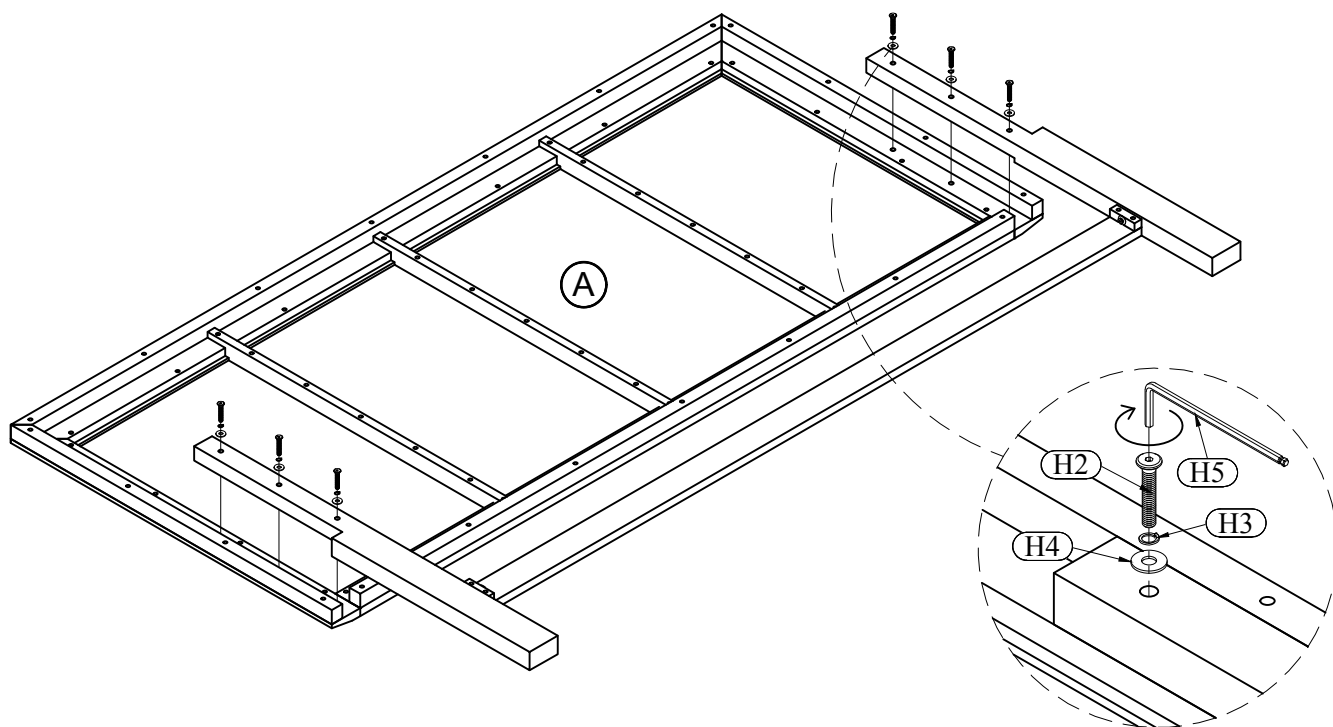


HADLEY CAL KING / KING BED

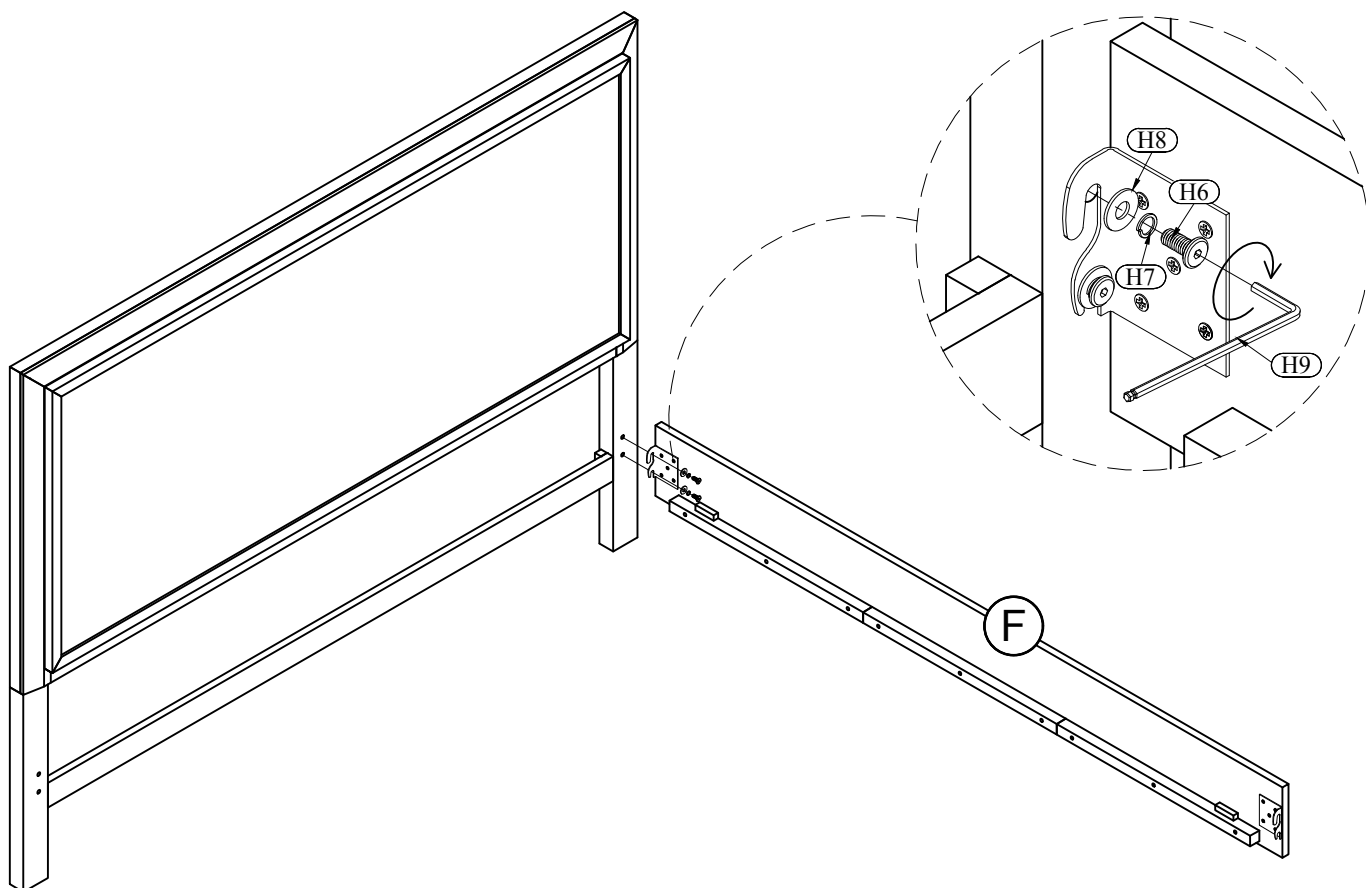
ASSEMBLY INSTRUCTIONS



STEP 2: USE HARDWARE PACKED IN BOX #1



STEP 3: USE HARDWARE PACKED IN BOX #2 FOR REMAINING STEPS

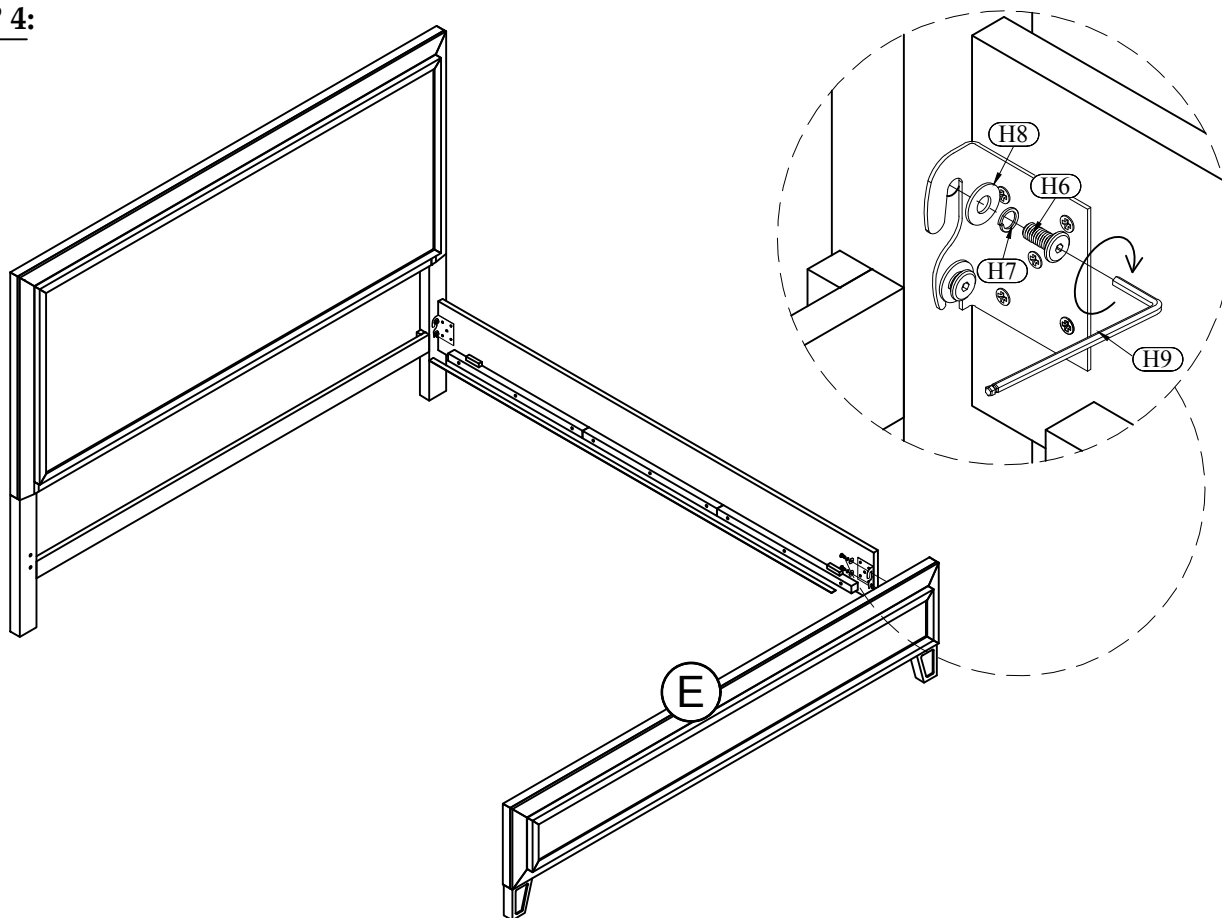


HADLEY CAL KING / KING BED

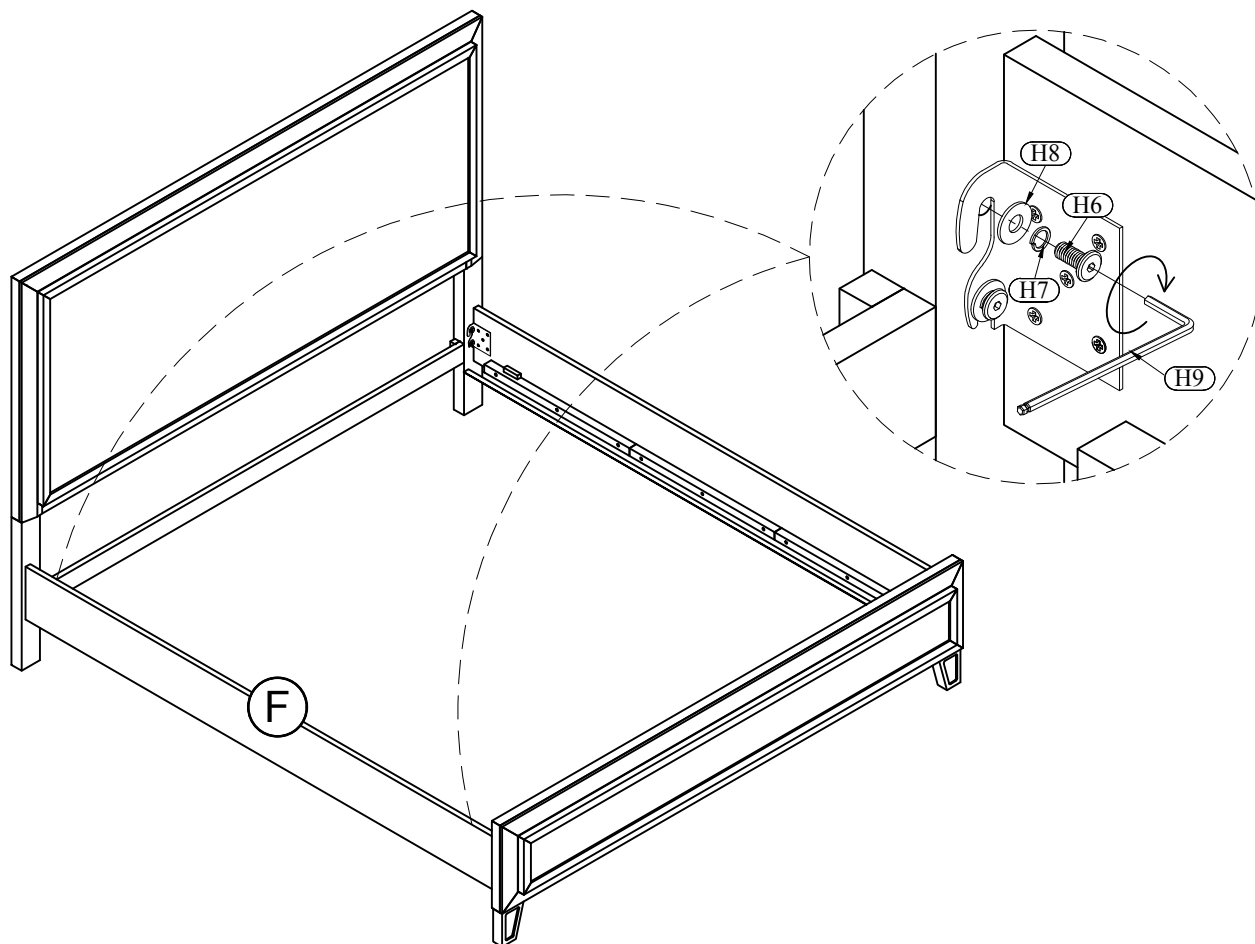
ASSEMBLY INSTRUCTIONS



STEP 4:



STEP 5:

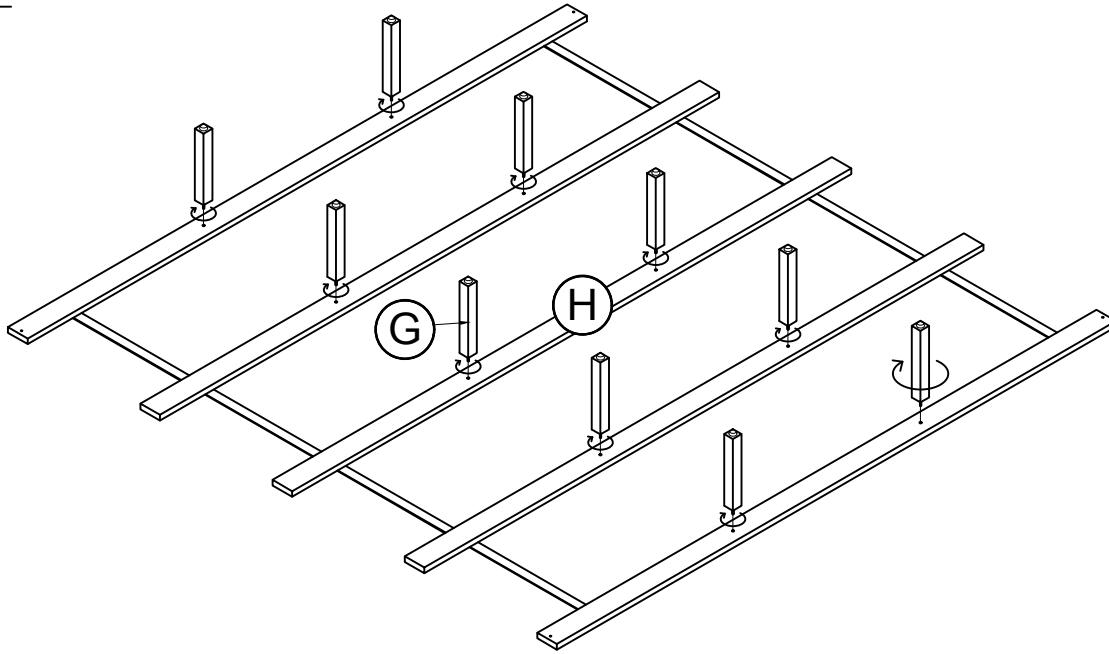


HADLEY KING/ CAL KING BED

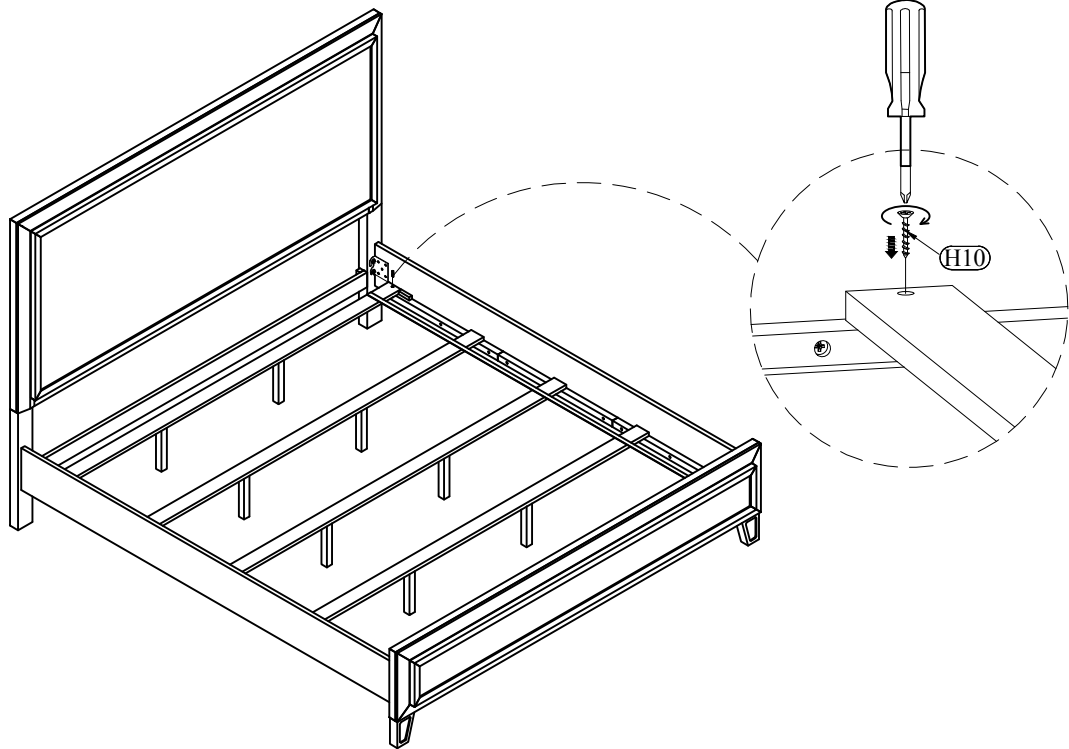
ASSEMBLY INSTRUCTIONS

MODUS
FURNITURE

STEP 6:



STEP 7:

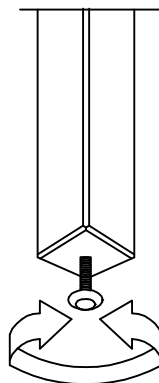


INSTRUCTIONS FOR ADJUSTING LEVELERS:

Position the bed in your room.
Locate levelers under each leg support.

Turn counter-clockwise to extend,
clockwise to contract.

Adjust levelers until each leg support is
applying equal upward pressure on the
bed slat.



MAINTENANCE INSTRUCTION:

- Remove box spring and mattress before moving your bed
- Lift your bed when moving it. Dragging can damage leg support.
- Readjust levelers after moving your bed.