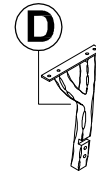
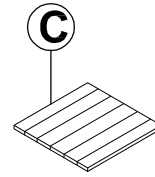
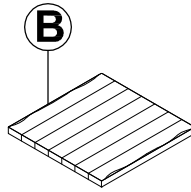
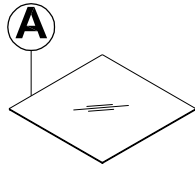


# BRIDGER END TABLE ASSEMBLY INSTRUCTIONS



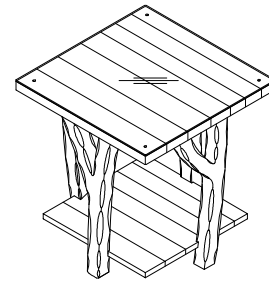
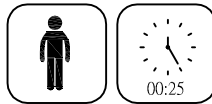
## PARTS PACKING CONFIGURATIONS

- A. GLASS TOP 1 PC
- B. TABLE TOP 1 PC
- C. SHELF 1PC
- D. D LEGS 2PCS
- E. E LEGS 2PCS



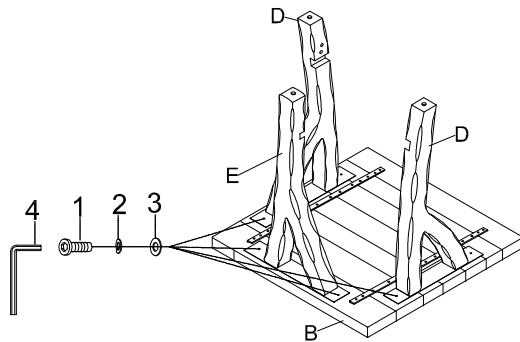
### HARDWARE ENCLOSED IN CARTON

| No | Description              | Photo | Quantity |
|----|--------------------------|-------|----------|
| 1  | ALLEN BOLT (1/4" x 5/8") |       | 24 PCS   |
| 2  | LOCK WASHER (1/4")       |       | 24 PCS   |
| 3  | FLAT WASHER (1/4")       |       | 24 PCS   |
| 4  | ALLEN KEY                |       | 1 PC     |
| 5  | L BRACKET ( 55x55x25x3 ) |       | 4 PCS    |
| 6  | RUBBER PAD               |       | 4 PCS    |

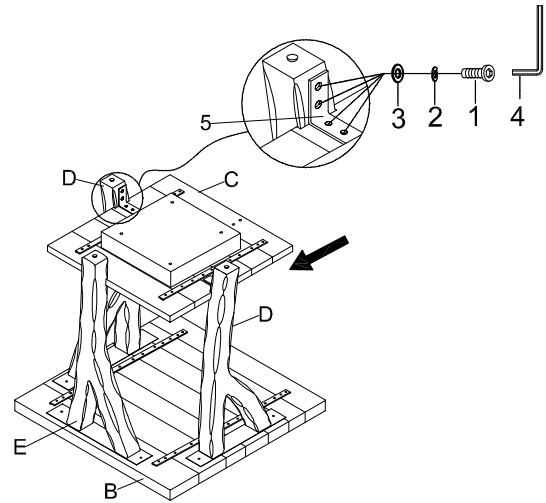


FULLY ASSEMBLED

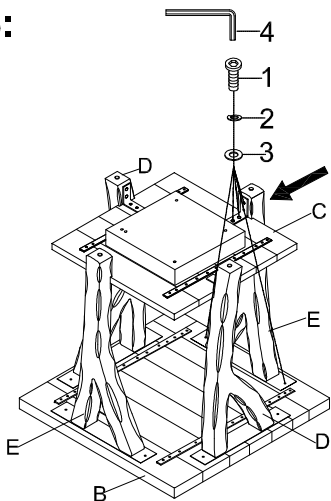
### STEP 1:



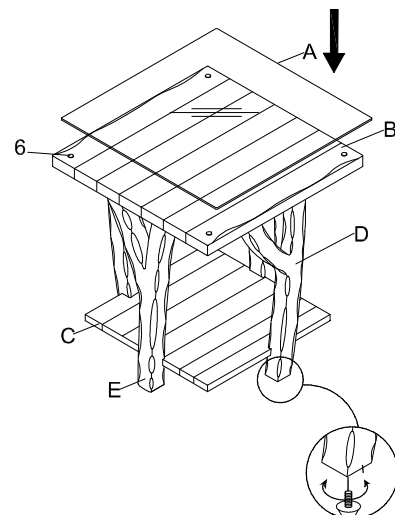
### STEP 2:



### STEP 3:



### STEP 4:



IF TABLE IS NOT LEVEL ON YOUR FLOOR, PLEASE ADJUST LEVELERS ON UNDERSIDE OF LEGS (D/E).