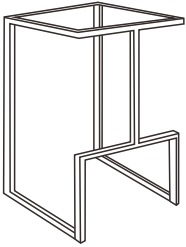
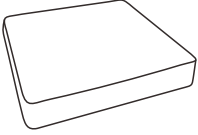




ITEM NAME /NOM D' ITEM:DARWEN COUNTER CHAIR

ITEM # /NO. ITEM:300048 (BLACK/NOIR)

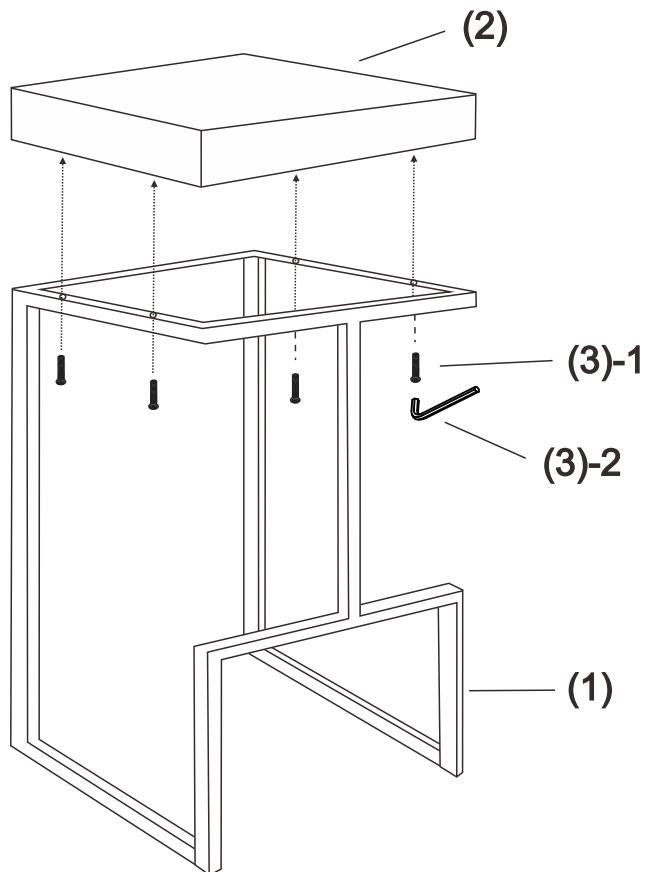
Enquiry:parts@zuomod.com

PARTS LIST / Liste des pièces

(1)	(2)	(3)
 X1	 X1	1.  X4 6*40mm 2.  X1

INSTRUCTIONS

A



B

