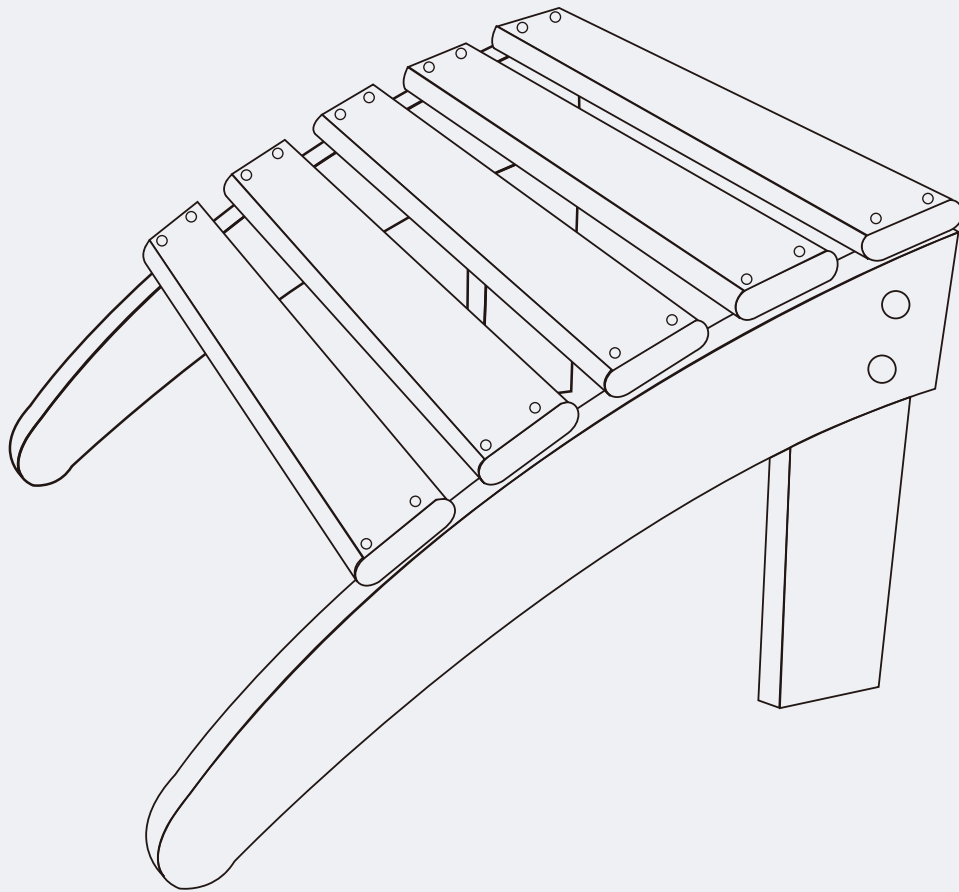


INSTRUCTION MANUAL



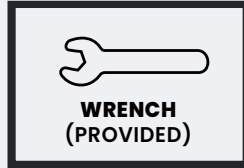
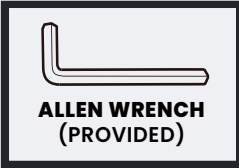
Outdoor Adirondack
Chair Folding Ottoman

V1.0

! CARE & MAINTENANCE

- **Do not overtighten screws or bolts. (Insert all screws before tighten screws.)**
- Please do not exceed the weight limitations of this item.
- Do not stand on or use any part of this item as a step ladder.
- Firmly secure all bolts, screws and nuts before use.
- Reconfirm that all bolts, screws, and nuts are secure every 90 days.
- Do not use or store this item in the proximity of open flame or flammable/combustible chemicals.
- Avoid using strong power tool for avoiding to crack the PE board when assembling.

TOOLS REQUIRED



**TABLE
180 LBS
CAPACITY**

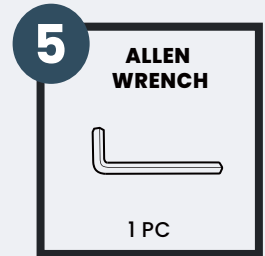
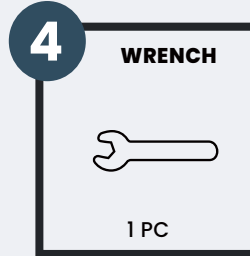
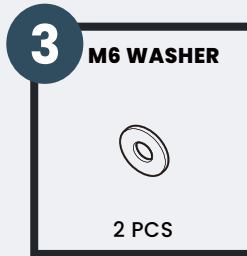
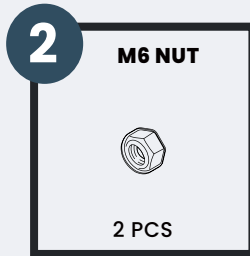
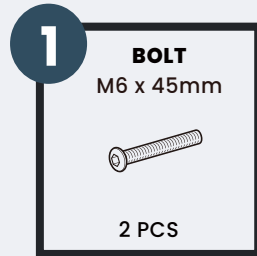


**1 PERSON
ASSEMBLY**

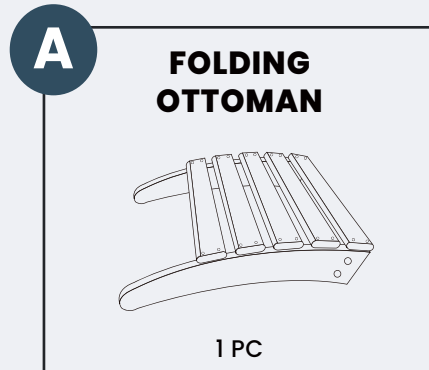


**UP TO 20 MIN.
ASSEMBLY**

HARDWARE



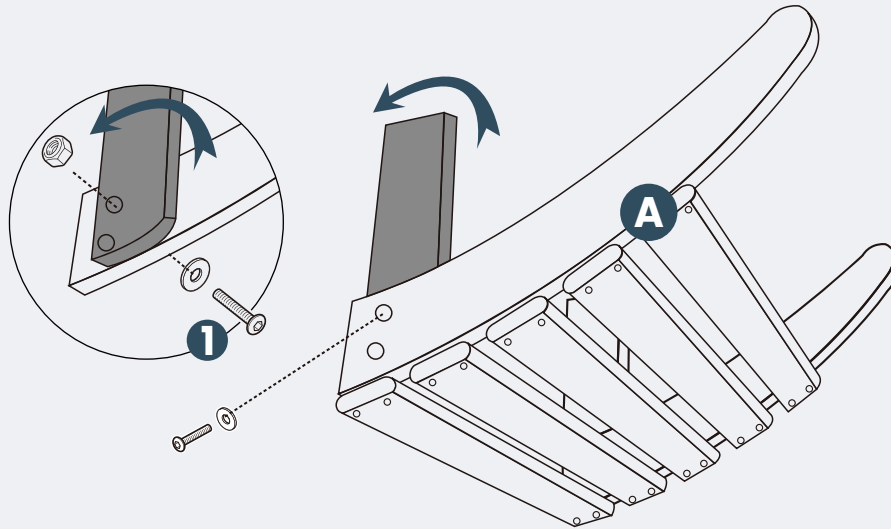
PARTS



PRODUCT ASSEMBLY

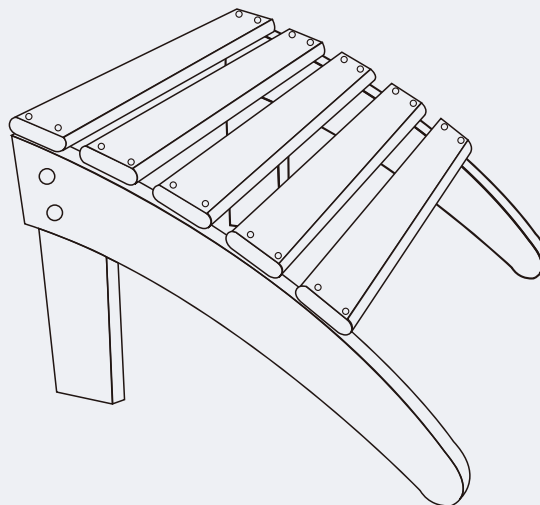
1

Put the Ottoman upside down for your easy assembly.
Pull up the **Part A Ottoman Leg** and lock it with frame by 1 PC of **Hardware #1 Bolt** and **Hardware #3 M6 Washer** as well as 1 PC of **Hardware #2 M6 Nut**.



2

Do the same to the other leg to finish the assembly of this folding Ottoman.



CLEANING TIPS

REGULAR CLEAN: Use a mixture of warm water and mild soap. Gently scrub the surface with a soft bristle brush to remove any dirt or stains.

QUICK CLEAN: You can simply wipe down the furniture with a damp cloth.

Regular cleaning not only preserves the aesthetic appeal of your furniture, but also helps extend its lifespan.