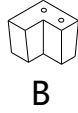
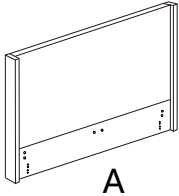


PALERMO/VERONA STORAGE BED FULL/QUEEN ASSEMBLY INSTRUCTIONS



BOX#1

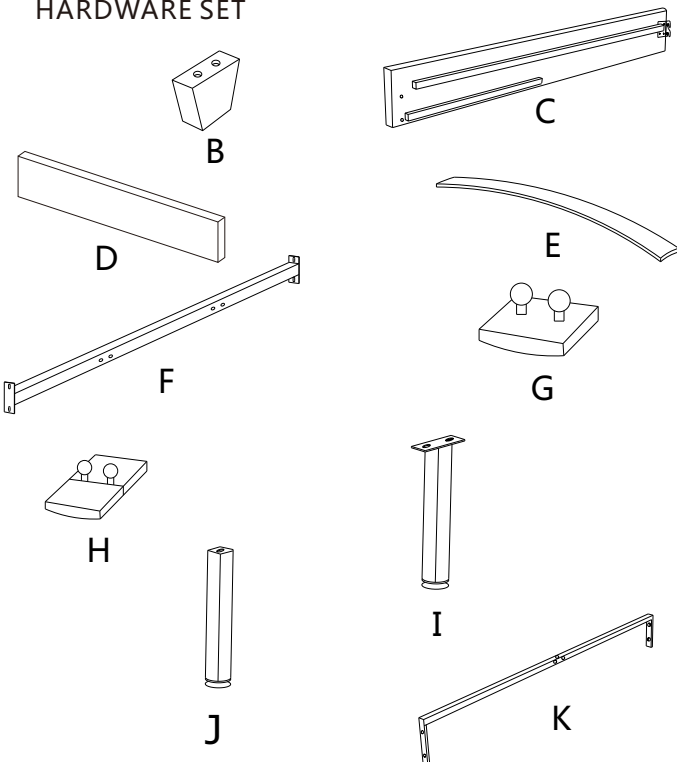
- A. HEADBOARD 1 PC
- B. HEADBOARD LEG 2 PCS



BOX#2

- B. FOOTBOARD LEG 2 PCS
- C. SIDE RAIL 2 PCS
- D. FOOTBOARD 1 PC
- E. SLAT 26 PCS
- F. CENTER SLAT SUPPORT 1 PC
- G. SIDE RAIL SLAT CLIP 26 PCS
- H. CENTER SUPPORT SLAT CLIP 13 PCS
- I. SLAT SUPPORT LEG 2 PCS
- J. METAL SUPPORT LEG 1 PC
- K. METAL SUPPORT BRACE 1 PC

HARDWARE SET



HARDWARE PACKED IN BOX#1

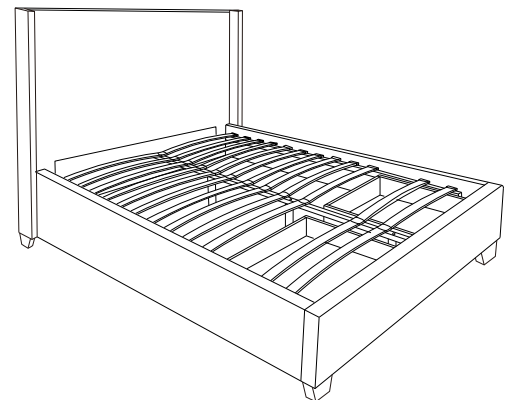
| | | | |
|---|--------------------------|--|--------|
| 1 | ALLEN BOLT(1/4"x1") | | 8 PCS |
| 2 | ALLEN BOLT(5/16"x3-1/4") | | 4 PCS |
| 3 | FLAT WASHER(5/16") | | 12 PCS |
| 4 | LOCK WASHER(5/16") | | 12 PCS |
| 5 | ALLEN KEY(1/4") | | 1 PC |
| 6 | ALLEN KEY(5/16") | | 1 PC |

HARDWARE PACKED IN BOX#2

| | | | |
|---|--------------------------|--|--------|
| 1 | ALLEN BOLT(5/16"x1") | | 6 PCS |
| 2 | ALLEN BOLT(5/16"x2-1/2") | | 7 PCS |
| 3 | ALLEN BOLT(5/16"x3-1/4") | | 2 PCS |
| 4 | FLAT WASHER(5/16") | | 21 PCS |
| 5 | LOCK WASHER(5/16") | | 15 PCS |
| 6 | WRENCH(5/16") | | 1 PC |
| 7 | ALLEN KEY(5/16") | | 1 PC |
| 8 | HEX NUT(5/16"x12) | | 6 PCS |

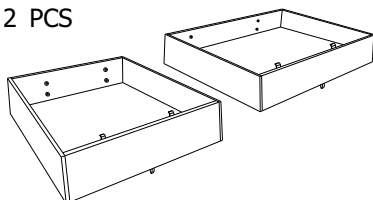
HARDWARE PACKED IN BOX#3

| | | | |
|---|-------------------------|--|-------|
| 1 | ALLEN BOLT(1/4"X1-1/4") | | 8 PCS |
| 2 | FLAT WASHER(5/16") | | 8 PCS |
| 3 | LOCK WASHER(5/16") | | 8 PCS |
| 4 | ALLEN KEY(1/4") | | 1 PC |

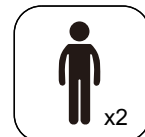


BOX #3

- M. DRAWER BOX 2 PCS



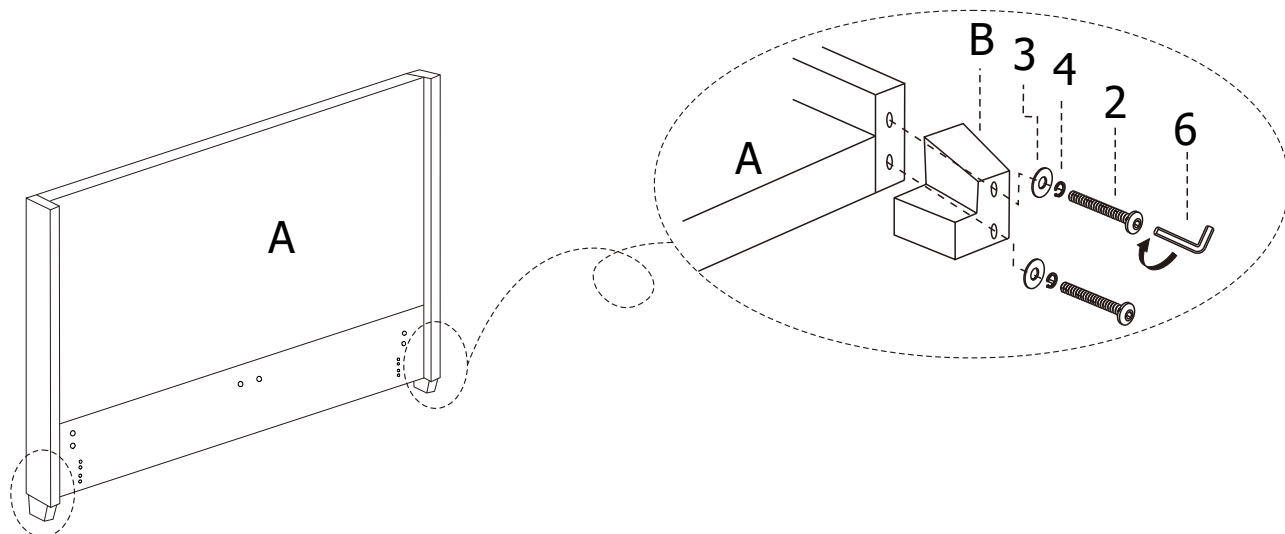
UPDATED:AUGUST 14TH, 2021



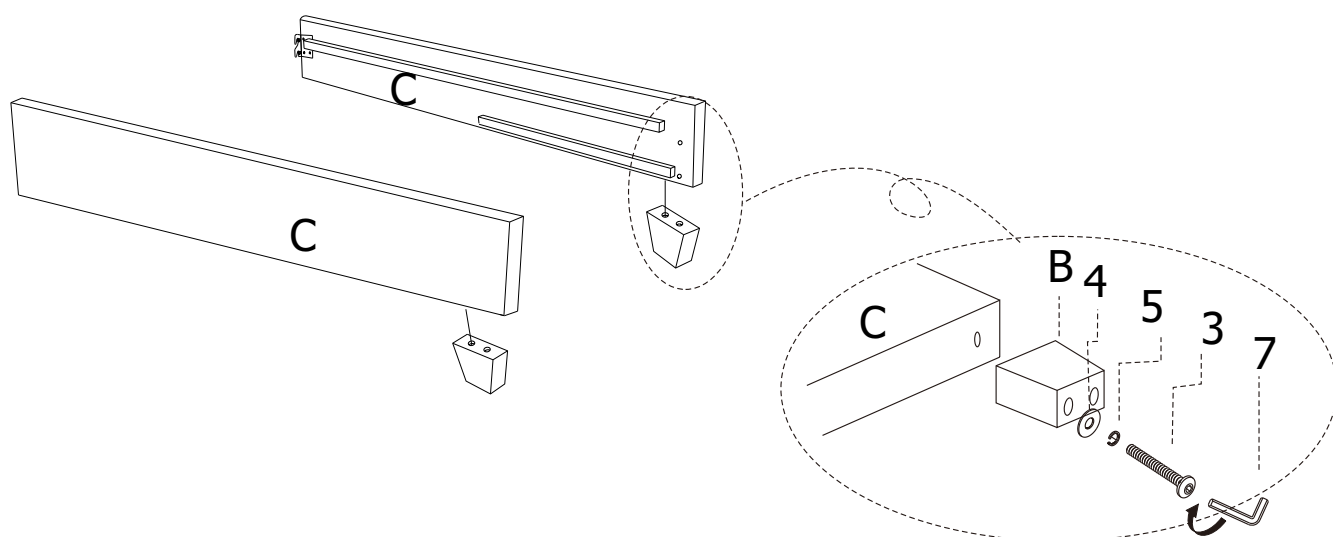
PALERMO/VERONA STORAGE BED FULL/QUEEN ASSEMBLY INSTRUCTIONS



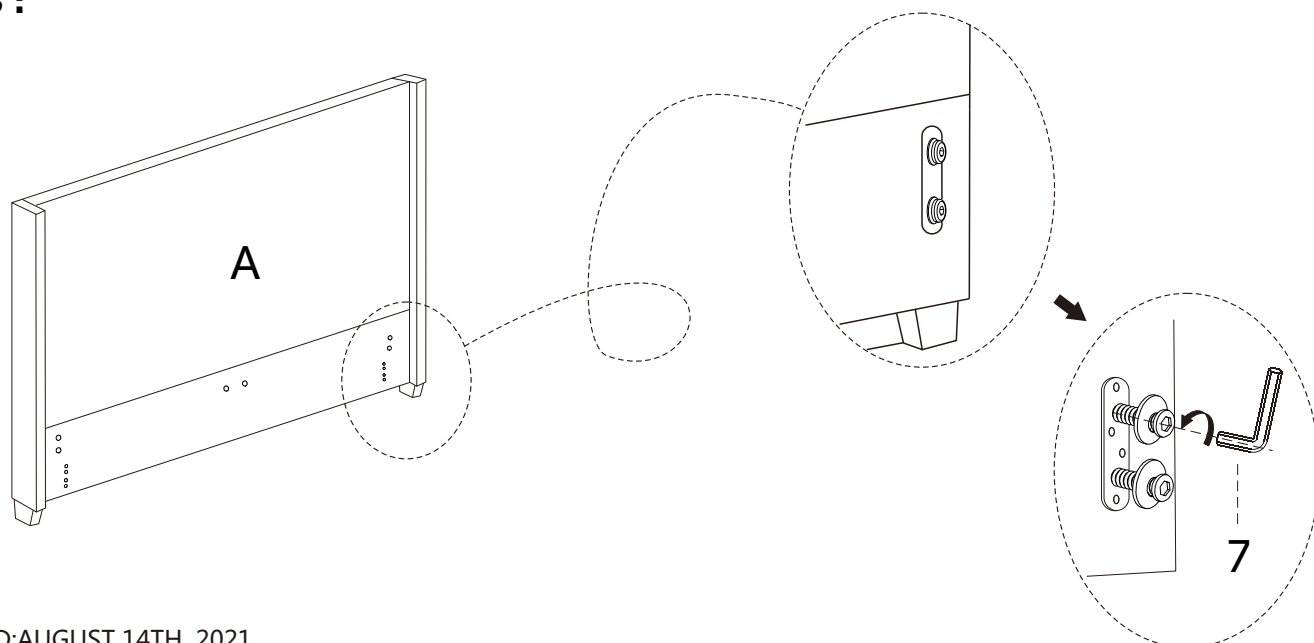
STEP 1 :



STEP 2 :



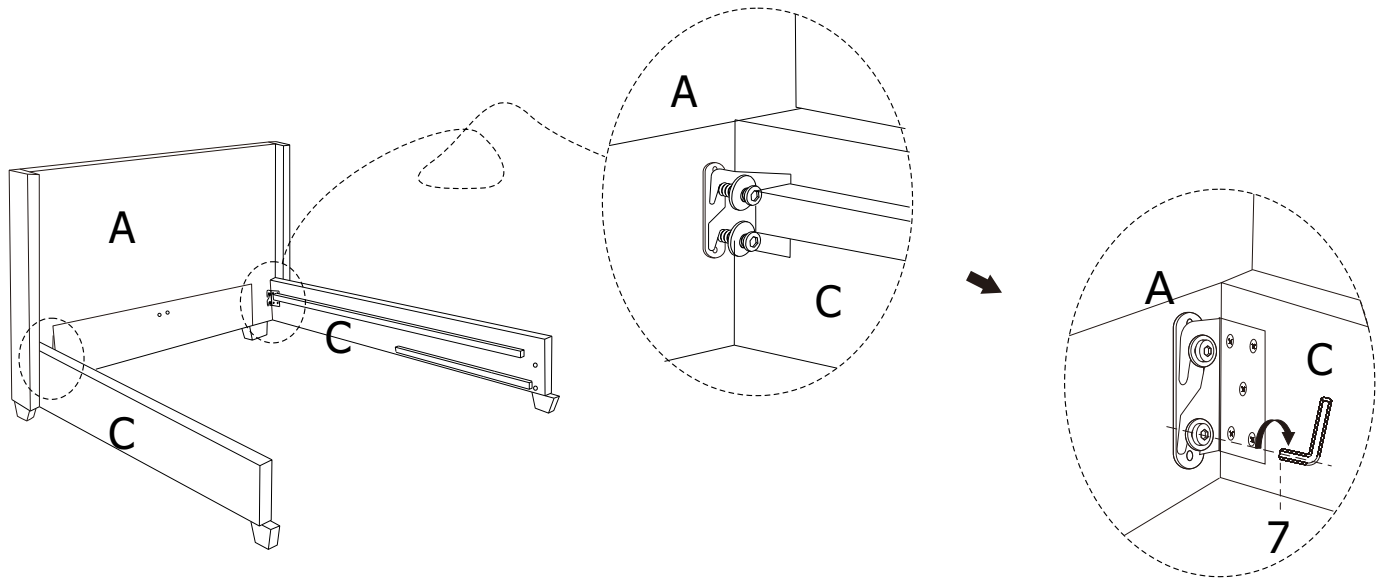
STEP 3 :



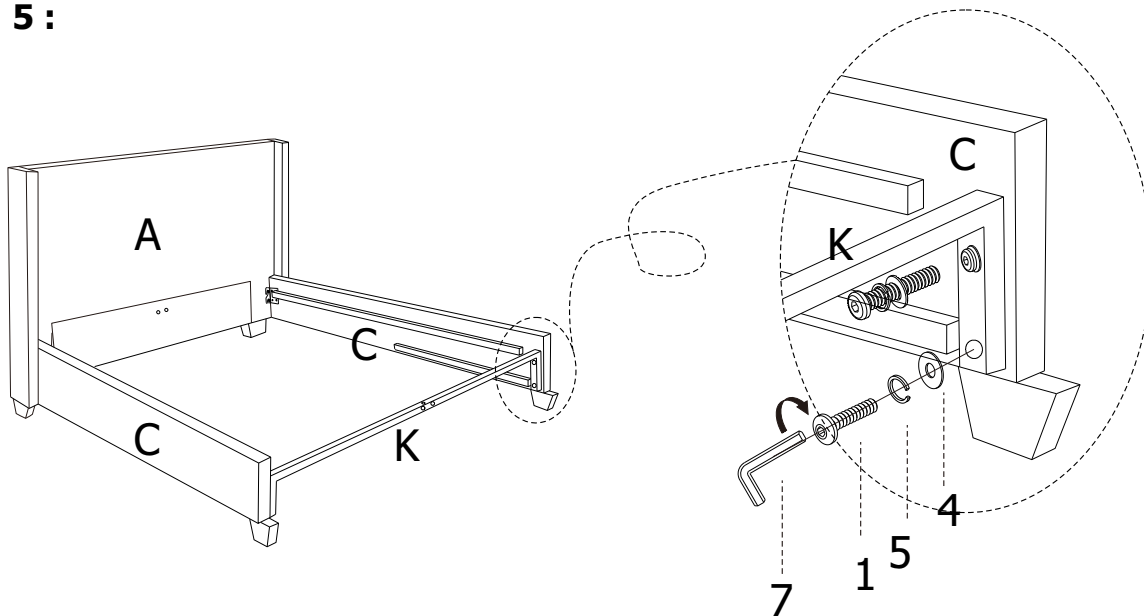
PALERMO/VERONA STORAGE BED FULL/QUEEN ASSEMBLY INSTRUCTIONS



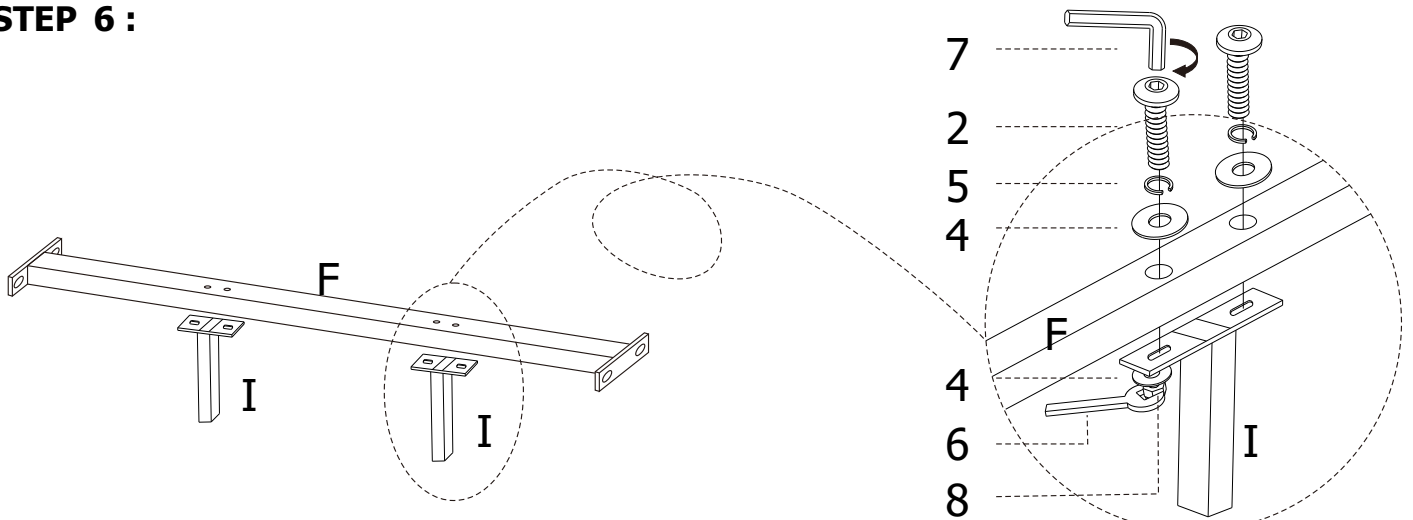
STEP 4 :



STEP 5 :



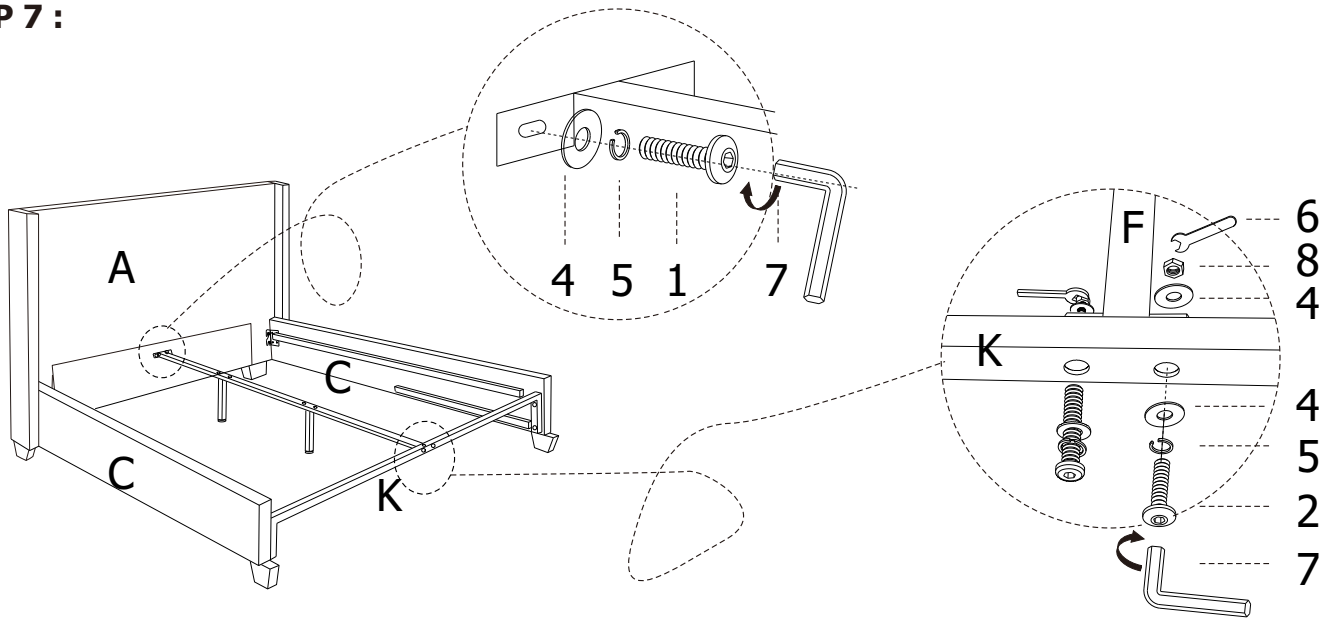
STEP 6 :



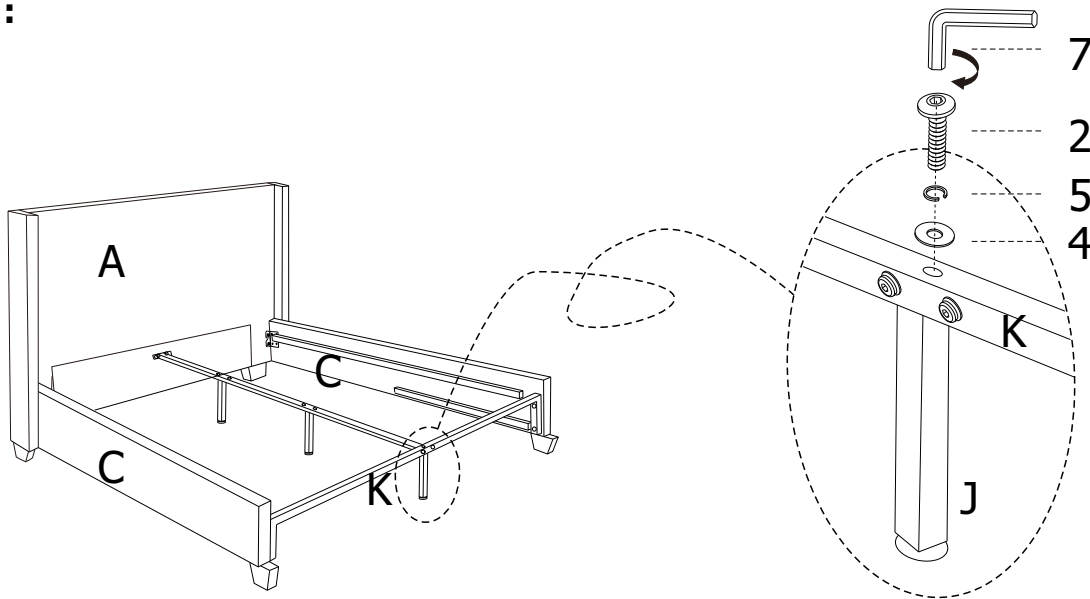
PALERMO/VERONA STORAGE BED FULL/QUEEN ASSEMBLY INSTRUCTIONS



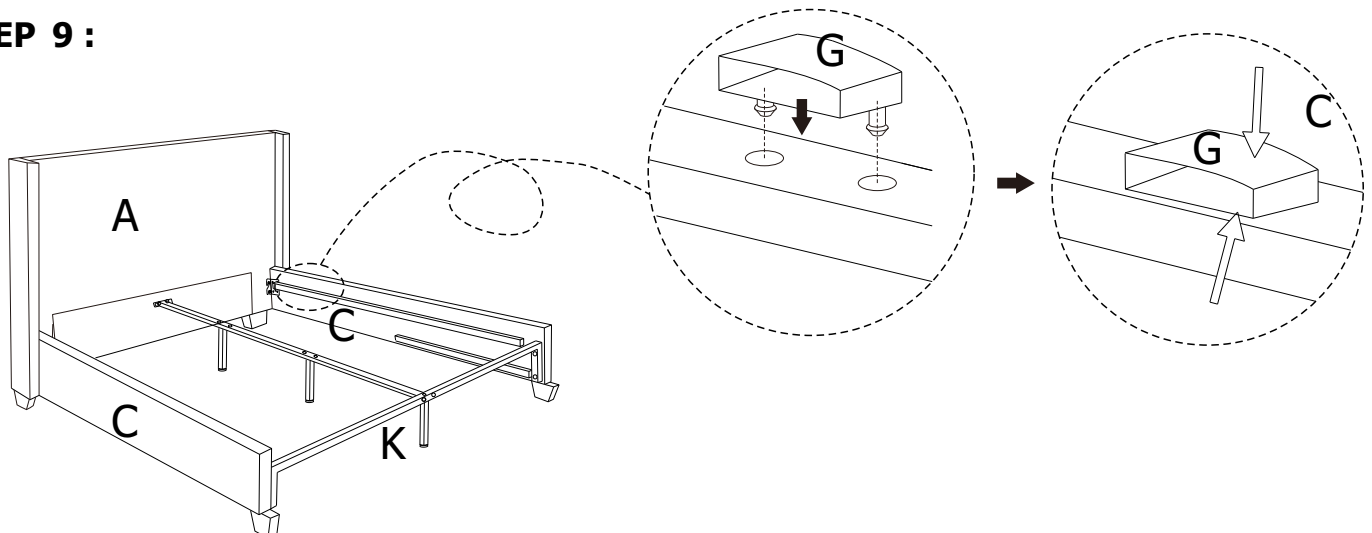
STEP 7 :



STEP 8 :



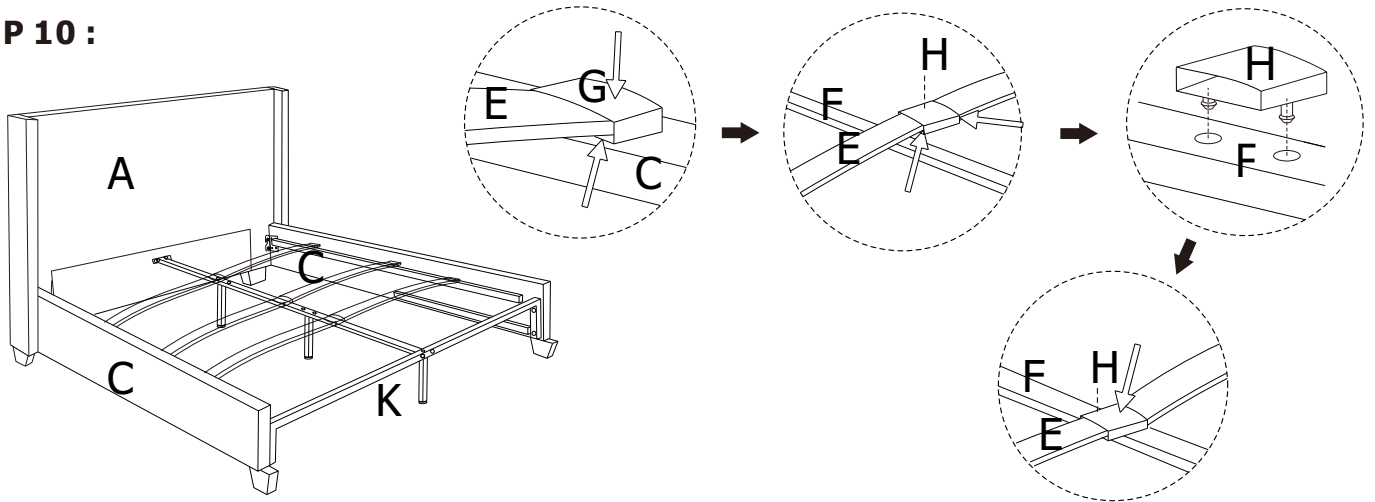
STEP 9 :



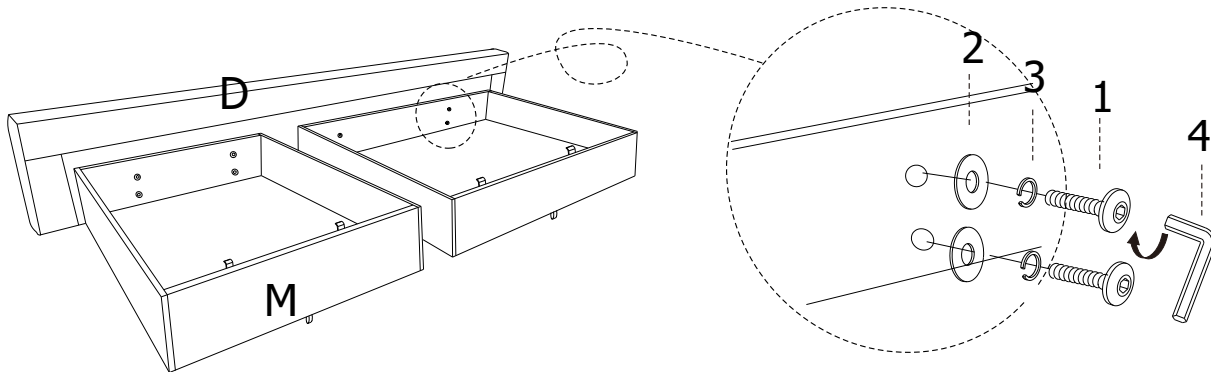
PALERMO/VERONA STORAGE BED FULL/QUEEN ASSEMBLY INSTRUCTIONS



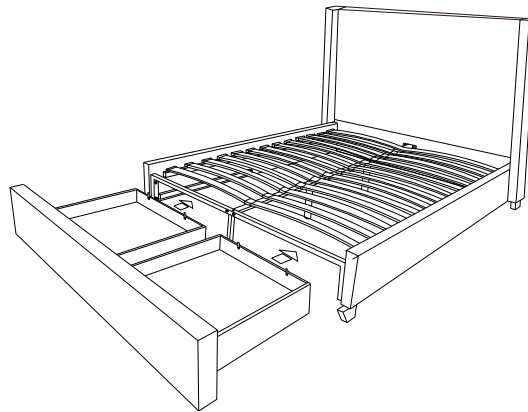
STEP 10 :



STEP 11 :USE HARDWARE Packed IN BOX #3 FOR THIS STEP.



STEP 12 :

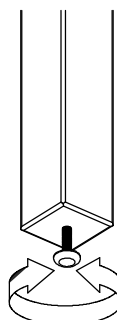


INSTRUCTIONS FOR ADJUSTING LEVELERS :

POSITION THE BED IN YOUR ROOM.
LOCATE LEVELERS UNDER EACH
SUPPORT LEG (I/J) .

TURN COUNTER-CLOCKWISE TO
EXTEND, CLOCKWISE TO RETRACT.

ADJUST LEVELERS UNTIL EACH LEG
SUPPORT IS APPLYING EQUAL UPWARD
PRESSURE ON THE CENTER SLAT.



MAINTENANCE INSTRUCTIONS :

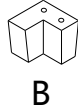
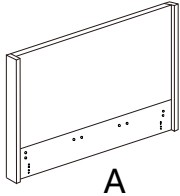
- REMOVE BOX SPRING AND MATTRESS BEFORE MOVING YOUR BED.
- LIFT YOUR BED WHEN MOVING IT. DRAGGING CAN DAMAGE CENTER SUPPORT.
- READJUST LEVELERS AFTER MOVING YOUR BED.

PALERMO/VERONA STORAGE BED C.KING/E.KING ASSEMBLY INSTRUCTIONS



BOX#1

- A. HEADBOARD 1 PC
- B. HEADBOARD LEG 2 PCS



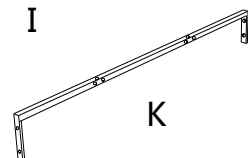
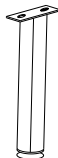
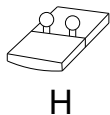
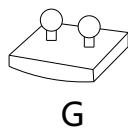
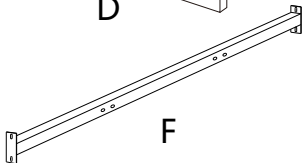
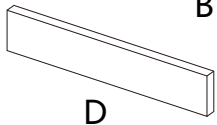
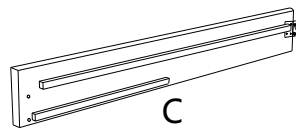
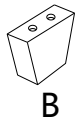
HARDWARE PACKED IN BOX#1

| | | | |
|---|--------------------------|--|--------|
| 1 | ALLEN BOLT(1/4"x1") | | 8 PCS |
| 2 | ALLEN BOLT(5/16"x3-1/4") | | 4 PCS |
| 3 | FLAT WASHER(5/16") | | 12 PCS |
| 4 | LOCK WASHER(5/16") | | 12 PCS |
| 5 | ALLEN KEY(1/4") | | 1 PC |
| 6 | ALLEN KEY(5/16") | | 1 PC |

BOX#2

- B. FOOTBOARD LEG 2 PCS
- C. SIDE RAIL 2 PCS
- D. FOOTBOARD 1 PC
- E. SLAT 39 PCS
- F. CENTER SLAT SUPPORT 2 PCS
- G. SIDE RAIL SLAT CLIP 26 PCS
- H. CENTER SUPPORT SLAT CLIP 26 PCS
- I. SLAT SUPPORT LEG 4 PCS
- J. METAL SUPPORT LEG 1 PC
- K. METAL SUPPORT BRACE 1 PC

HARDWARE SET



HARDWARE PACKED IN BOX#2

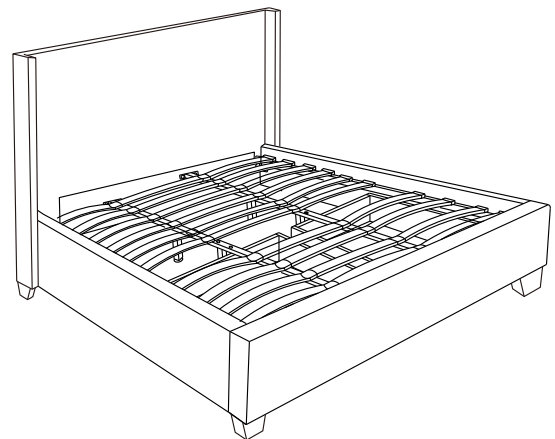
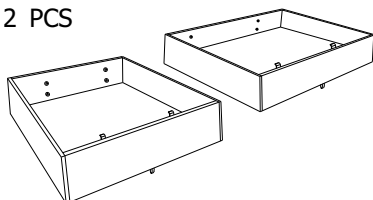
| | | | |
|---|--------------------------|--|--------|
| 1 | ALLEN BOLT(5/16"x1") | | 8 PCS |
| 2 | ALLEN BOLT(5/16"x2-1/2") | | 13 PCS |
| 3 | ALLEN BOLT(5/16"x3-1/4") | | 2 PCS |
| 4 | FLAT WASHER(5/16") | | 35 PCS |
| 5 | LOCK WASHER(5/16") | | 23 PCS |
| 6 | WRENCH(5/16") | | 1 PC |
| 7 | ALLEN KEY(5/16") | | 1 PC |
| 8 | HEX NUT(5/16"x12) | | 12 PCS |

HARDWARE PACKED IN BOX#3

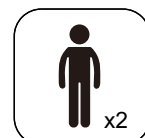
| | | | |
|---|-------------------------|--|-------|
| 1 | ALLEN BOLT(1/4"X1-1/4") | | 8 PCS |
| 2 | FLAT WASHER(5/16") | | 8 PCS |
| 3 | LOCK WASHER(5/16") | | 8 PCS |
| 4 | ALLEN KEY(1/4") | | 1 PC |

BOX #3

- M. DRAWER BOX 2 PCS



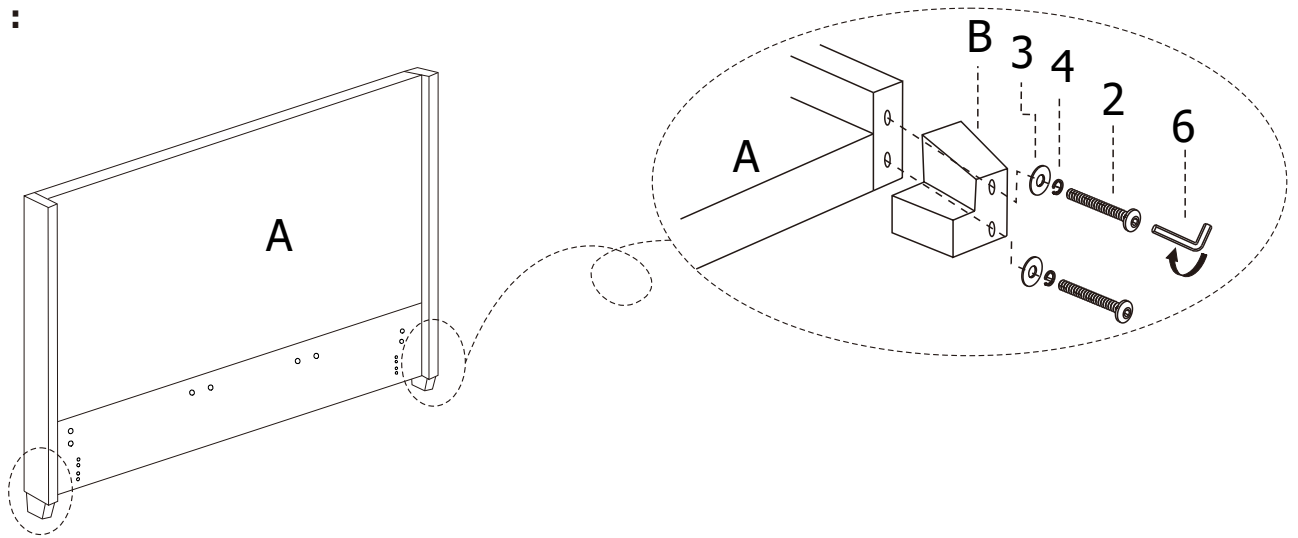
UPDATED:AUGUST 14TH, 2021



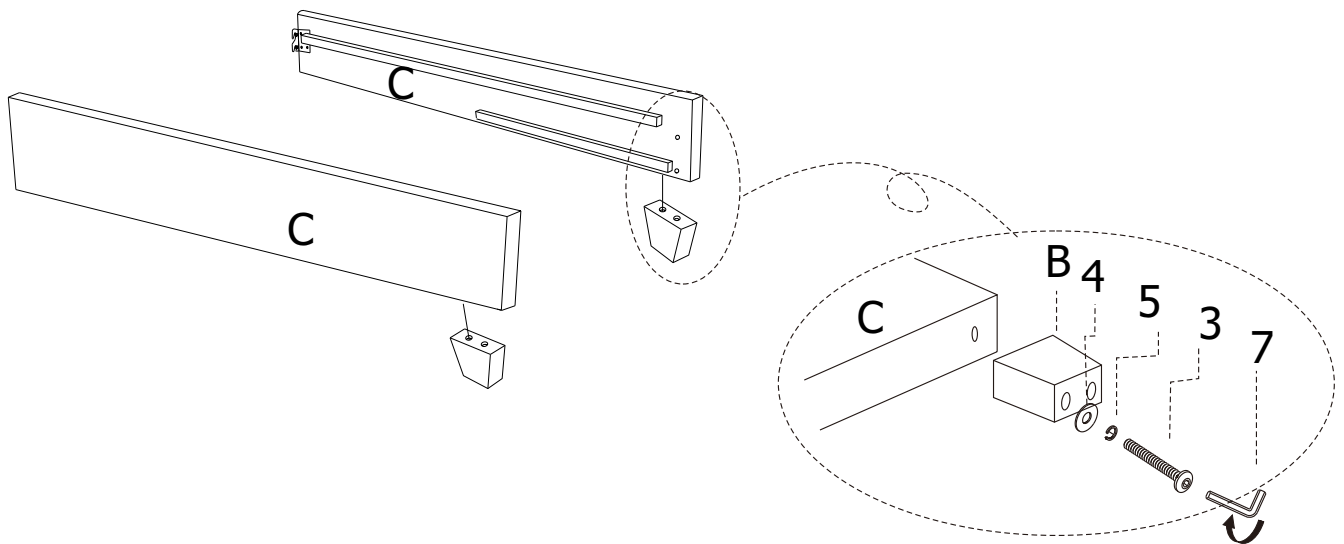
PALERMO/VERONA STORAGE BED C.KING/E.KING ASSEMBLY INSTRUCTIONS



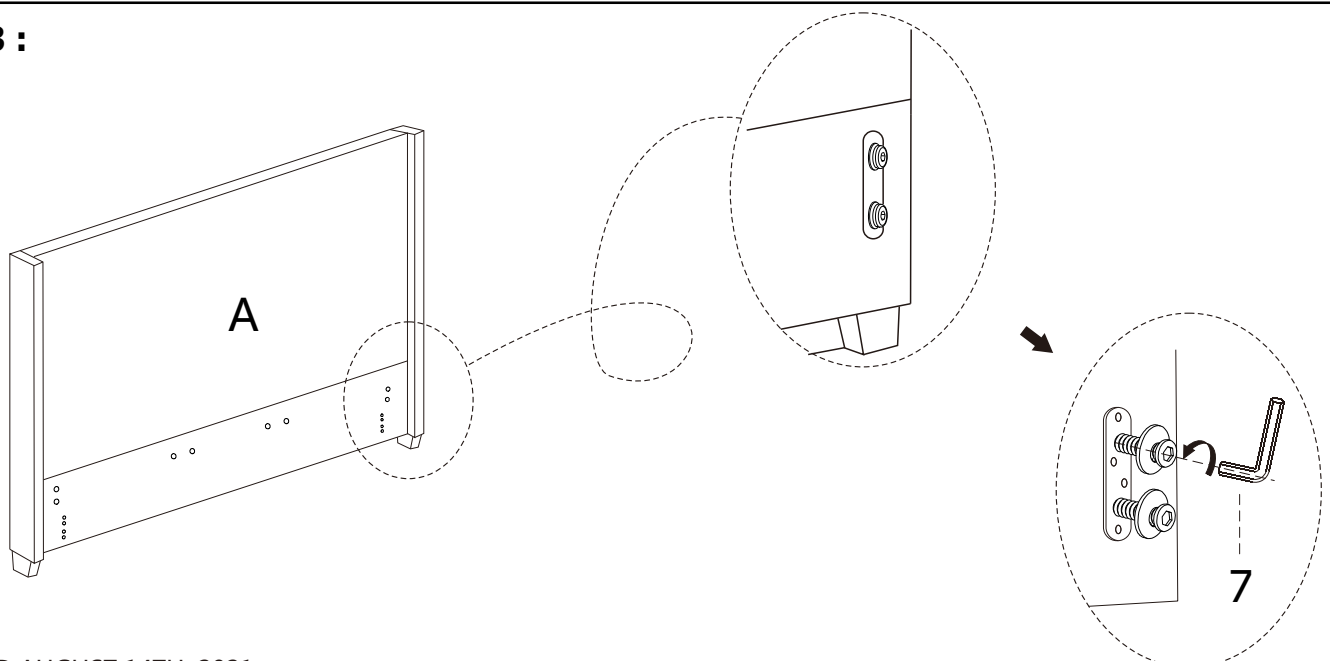
STEP 1 :



STEP 2 :



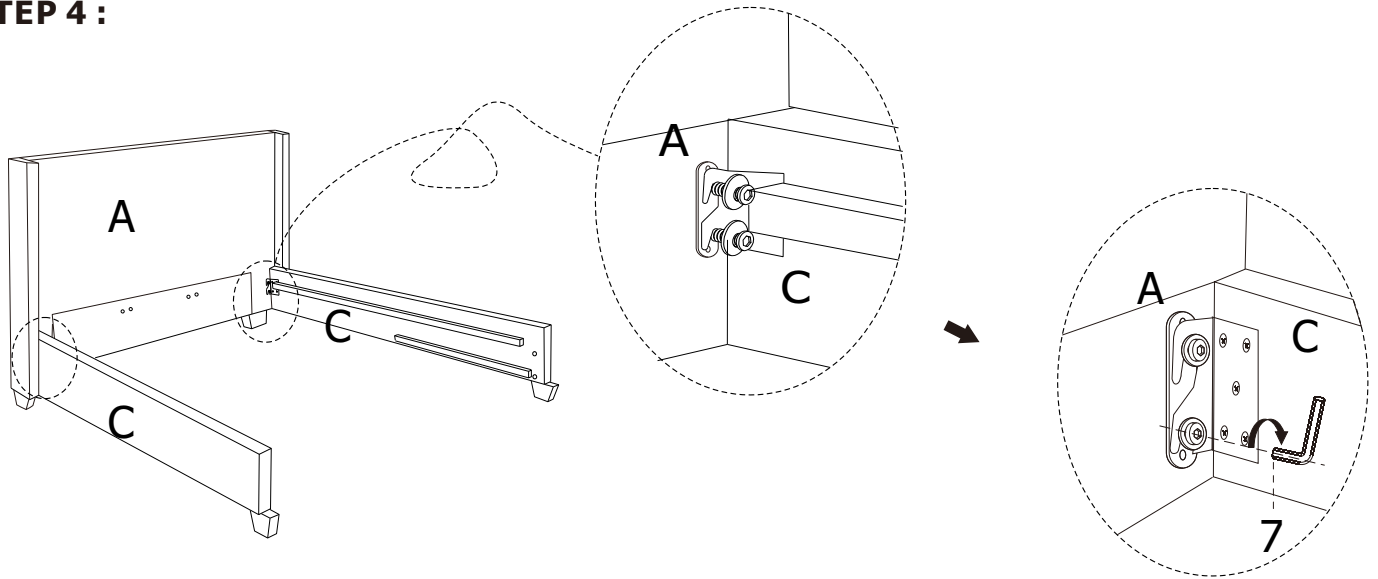
STEP 3 :



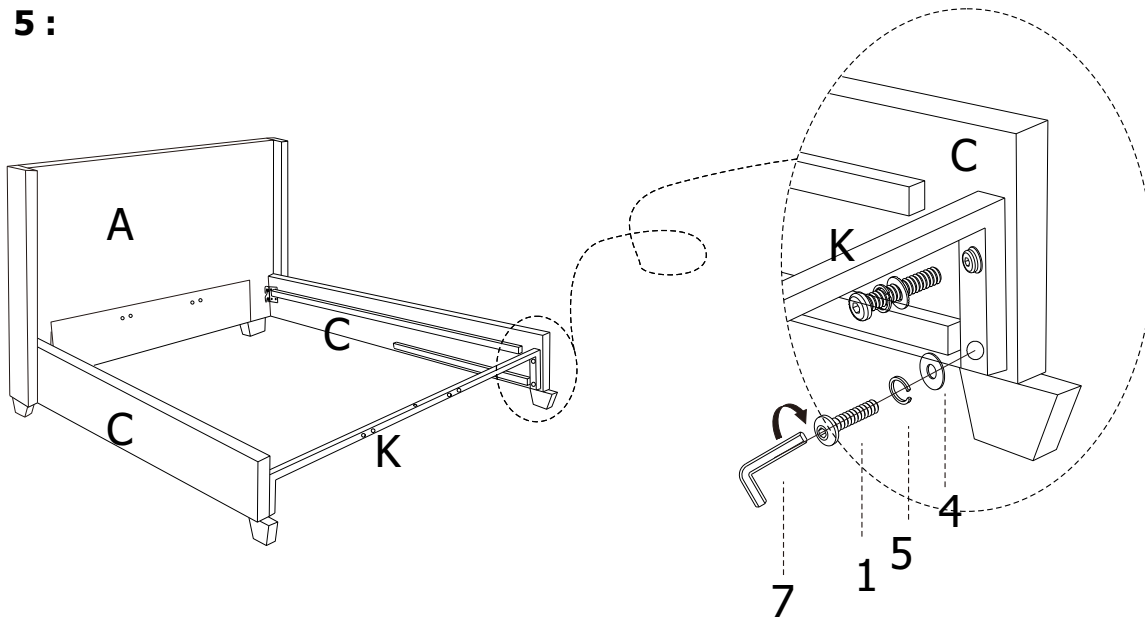
PALERMO/VERONA STORAGE BED C.KING/E.KING ASSEMBLY INSTRUCTIONS



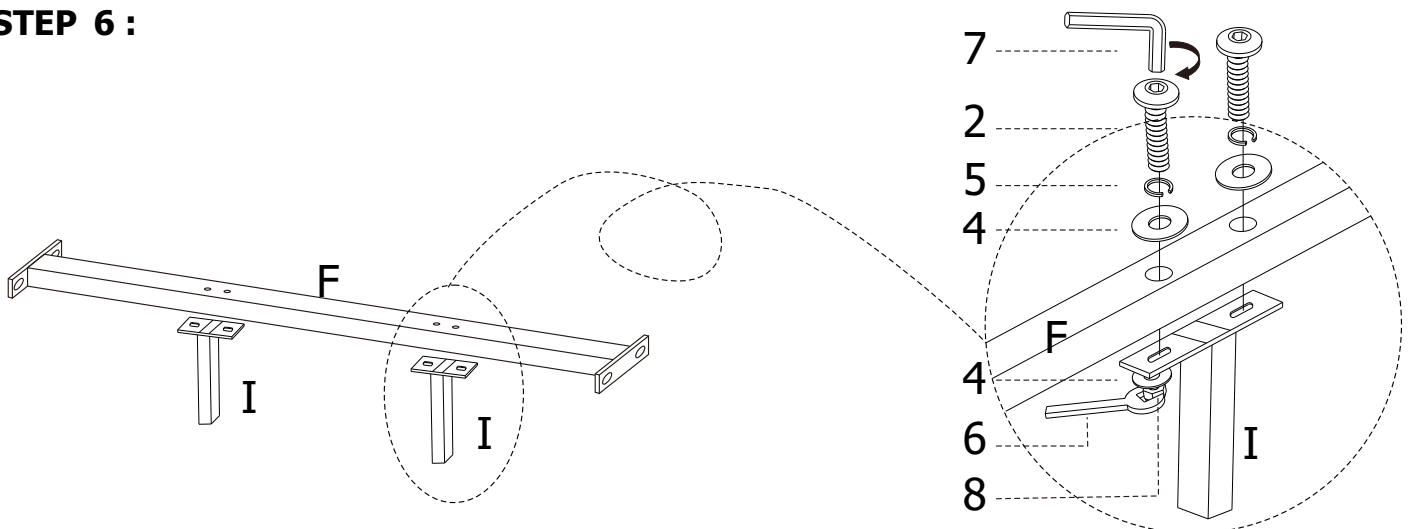
STEP 4 :



STEP 5 :



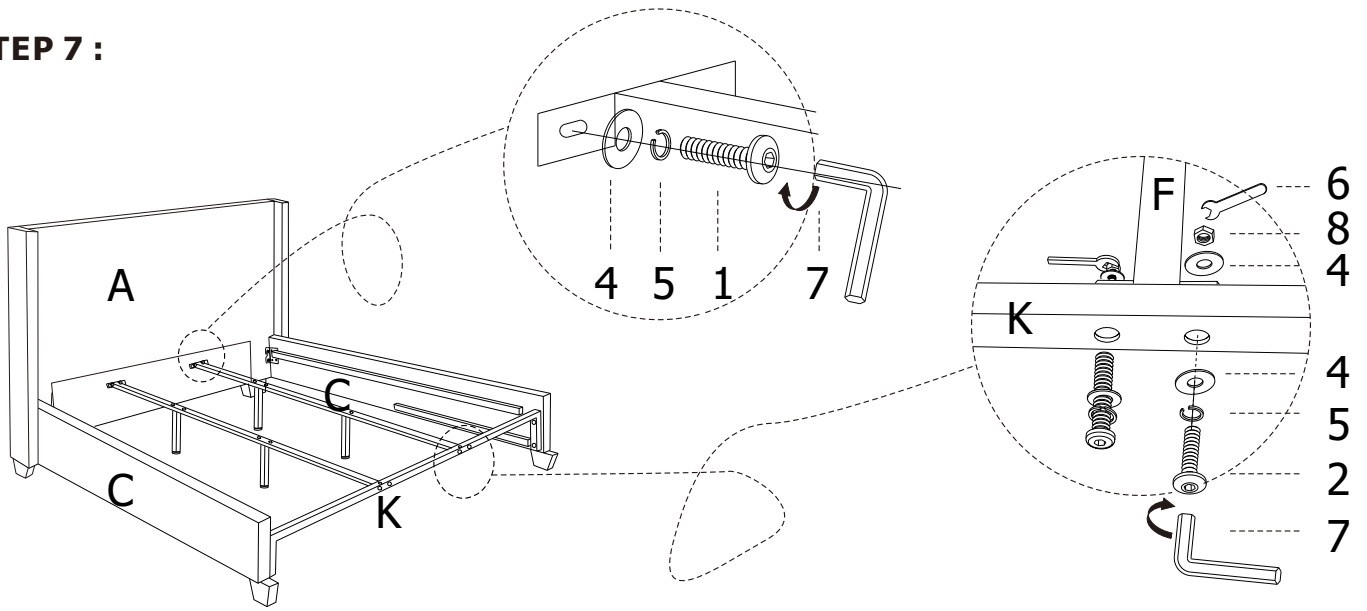
STEP 6 :



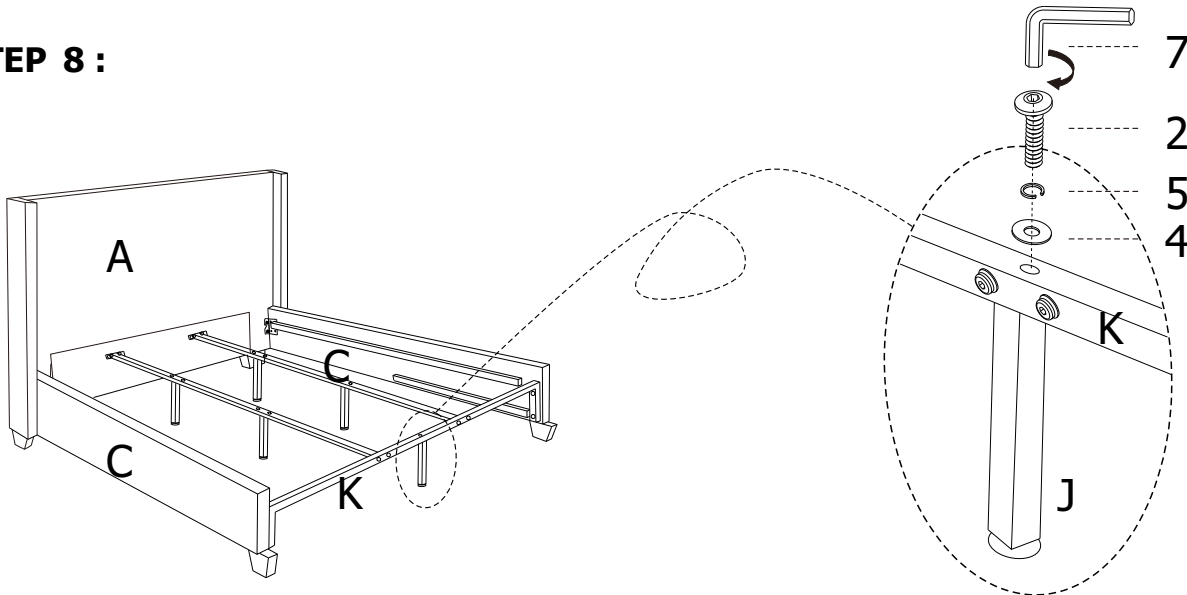
PALERMO/VERONA STORAGE BED C.KING/E.KING ASSEMBLY INSTRUCTIONS



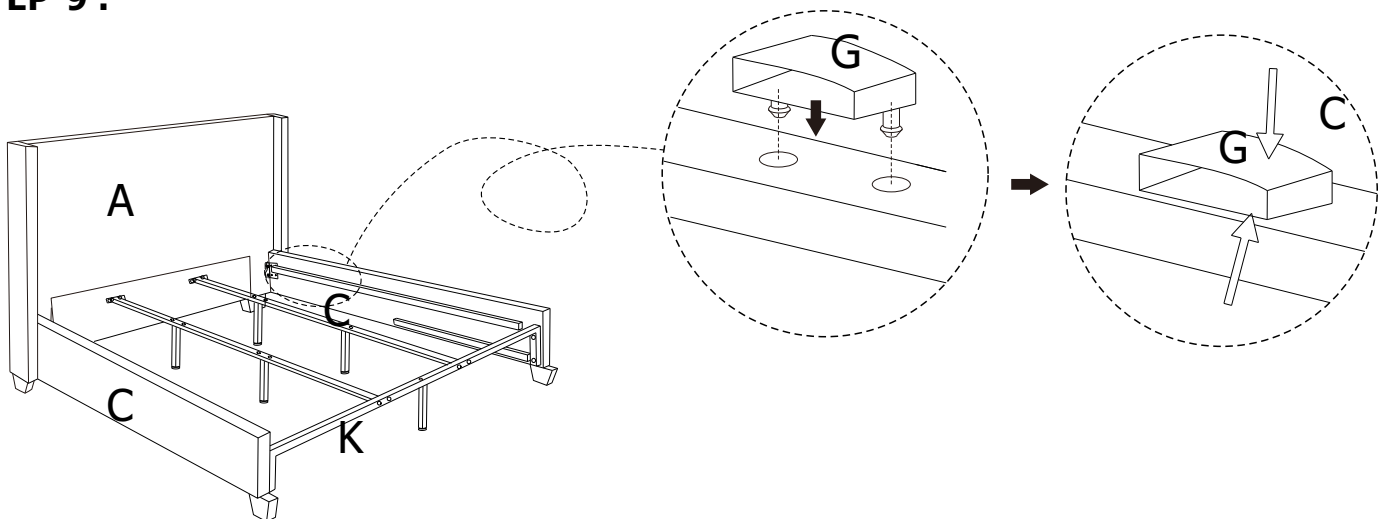
STEP 7 :



STEP 8 :



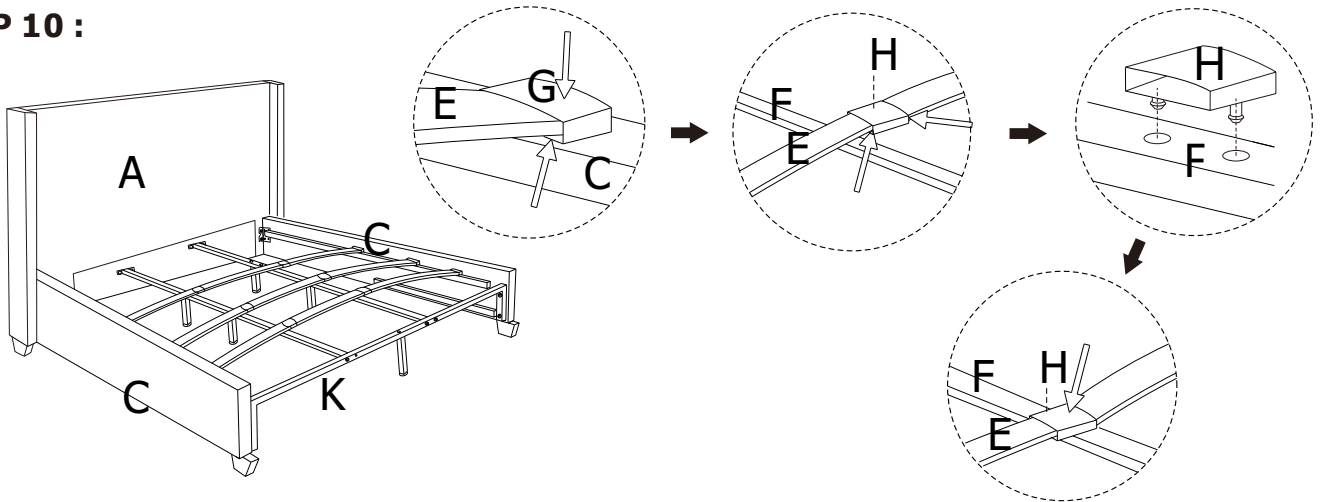
STEP 9 :



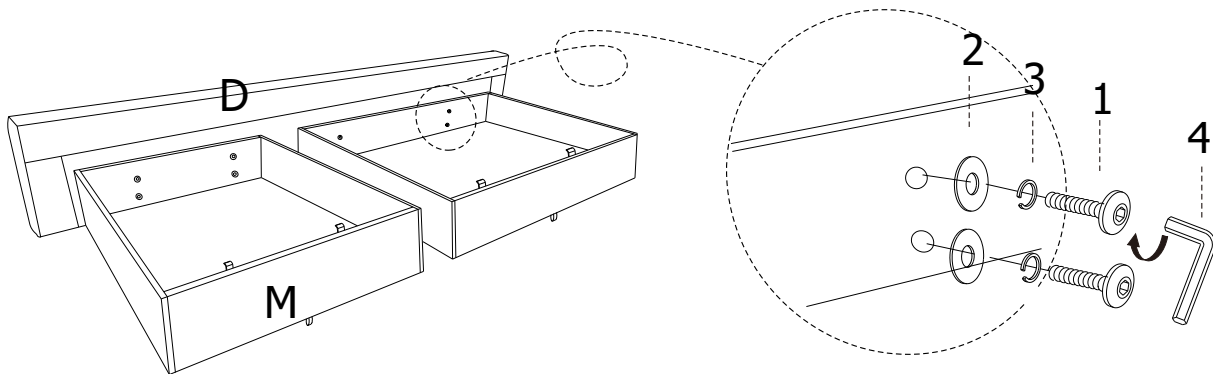
PALERMO/VERONA STORAGE BED C.KING/E.KING ASSEMBLY INSTRUCTIONS



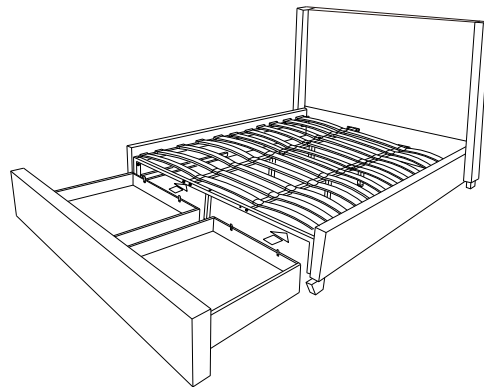
STEP 10 :



STEP 11 :USE HARDWARE Packed IN BOX #3 FOR THIS STEP.



STEP 12 :

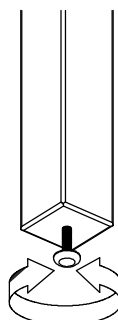


INSTRUCTIONS FOR ADJUSTING LEVELERS :

POSITION THE BED IN YOUR ROOM.
LOCATE LEVELERS UNDER EACH
SUPPORT LEG (I/J) .

TURN COUNTER-CLOCKWISE TO
EXTEND, CLOCKWISE TO RETRACT.

ADJUST LEVELERS UNTIL EACH LEG
SUPPORT IS APPLYING EQUAL UPWARD
PRESSURE ON THE CENTER SLAT.



MAINTENANCE INSTRUCTIONS :

- REMOVE BOX SPRING AND MATTRESS BEFORE MOVING YOUR BED.
- LIFT YOUR BED WHEN MOVING IT. DRAGGING CAN DAMAGE CENTER SUPPORT.
- READJUST LEVELERS AFTER MOVING YOUR BED.