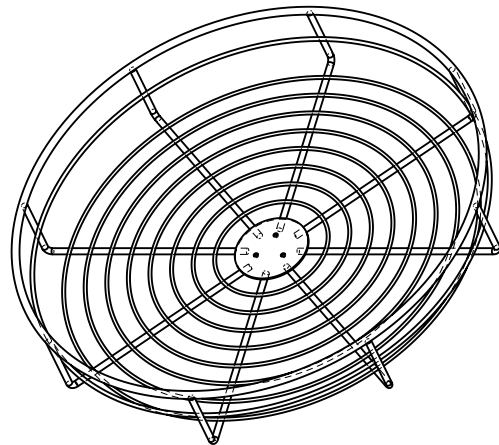
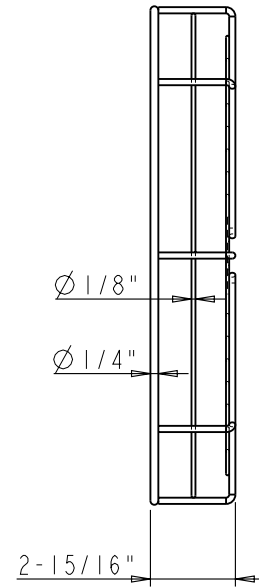
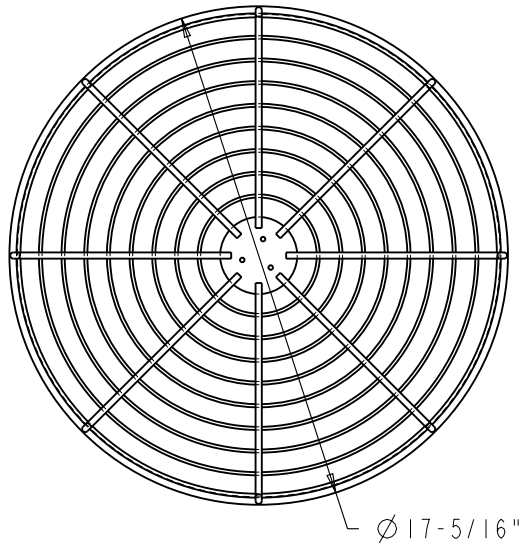
 PROPRIETARY AND CONFIDENTIAL THE INFORMATION CONTAINED IN THIS DRAWING IS THE SOLE PROPERTY OF HARDWARE RESOURCES INC. ANY REPRODUCTION IN PART OR AS A WHOLE WITHOUT THE WRITTEN PERMISSION OF HARDWARE RESOURCES INC. IS PROHIBITED.	ITEM:	MLSR18-S-R		MATERIAL:	
	FINISH:			WEIGHT:	
	TOLERANCE UNLESS OTHERWISE SPECIFIED:	UNITS:	MM	DRAWN BY:	DATE:
	SIZE:	A4	APPROVED BY:	DATE:	
DO NOT SCALE DRAWING	SHEET:	1 OF 1	RELEASE LEVEL:	REVISION:	



<p>PROPRIETARY AND CONFIDENTIAL</p> <p>THE INFORMATION CONTAINED IN THIS DRAWING IS THE SOLE PROPERTY OF HARDWARE RESOURCES INC. ANY REPRODUCTION IN PART OR AS A WHOLE WITHOUT THE WRITTEN PERMISSION OF HARDWARE RESOURCES INC. IS PROHIBITED.</p> <p>DO NOT SCALE DRAWING</p>	ITEM:	MLSR18-S-R		MATERIAL:
	FINISH:			WEIGHT:
	TOLERANCE UNLESS OTHERWISE SPECIFIED:	UNITS:	DRAWN BY:	DATE:
	SIZE:	APPROVED BY:	DATE:	
	RELEASE LEVEL:	REVISION:		