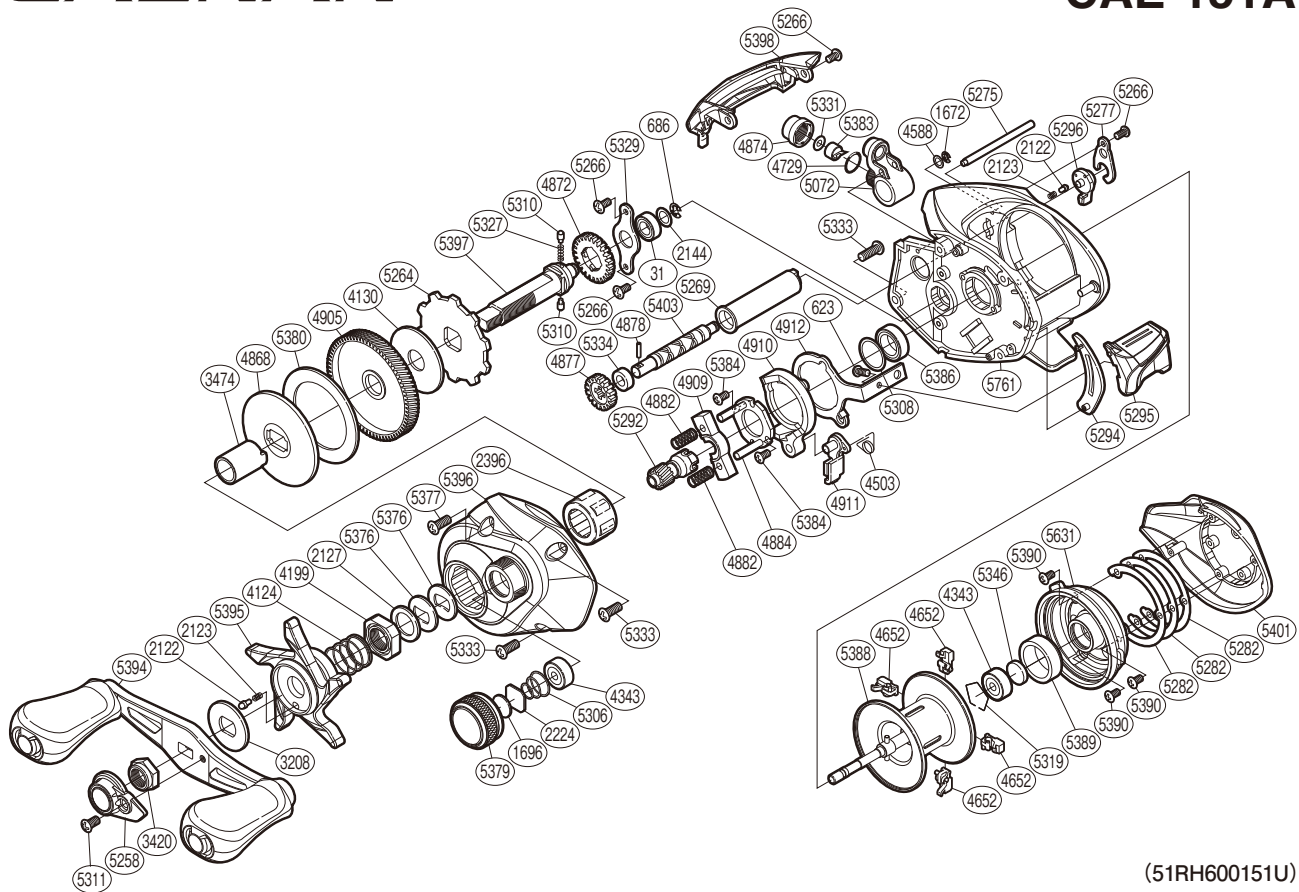


SHIMANO

CAENAN

CAE-151A



(51RH600151U)

#	Part No.	Description	#	Part No.	Description	#	Part No.	Description
31	105BL	Ball Bearing	4878	10AEZ	Worm Shaft Pin	5329	109T1	Drive Shaft Retainer
623	103C0	Screw	4882	10487	Yoke Spring	5331	104TX	Spacer
686	105NK	E Lock	4884	10F3X	Clutch Cam Retainer	5333	10LFK	Screw
1672	105NC	E Lock	4905	10CMF	Drive Gear	5334	10PXZ	Bushing
1696	10896	Cast Control Spacer	4909	1046W	Yoke	5346	10EX5	Spacer B
2122	10BT0	Click Pin	4910	10K0P	Clutch Cam	5376	109F5	Drag Spring Washer
2123	10BT2	Click Spring	4911	10MQM	Clutch Pawl	5377	10LSZ	Screw
2127	10J1N	Star Drag Spacer	4912	10QGJ	Clutch Plate	5379	10TML	Cast Control Cap
2144	10C47	Washer	5072	10NVR	Line Guide	5380	10R3D	Drag Washer
2224	1085F	Spool Tension Spacer	5258	10Q5U	Handle Nut Plate	5383	10BHQ	Line Guide Pawl
2396	10F5C	Roller Clutch Bearing	5264	10D73	Anti-Reverse Ratchet	5384	10L1R	Screw
3208	10J22	Star Drag Click Plate	5266	10R1R	Screw	5386	10EX6	Ball Bearing
3420	10FNS	Handle Nut	5269	10NFX	Level Wind Guard	5388	10DP3	Spool Assembly
3474	10MAY	Roller Clutch Inner Tube	5275	10QSH	Stabilizer Bar	5389	10R0N	Brake Ring
4124	10A70	Star Drag Spring	5277	10BGR	Cam Lever Retainer	5390	10LA4	Screw
4130	10CHX	Drag Washer	5282	108F0	Washer	5394	10DPE	Handle Assembly
4199	10A09	Star Drag Nut	5292	10CSB	Pinion Gear	5395	10R0H	Star Drag
4343	105C3	Ball Bearing	5294	10976	Clutch Bar Guide	5396	10TMJ	Left Side Plate
4503	104CQ	Clutch Pawl Spring	5295	10CDS	Clutch Lever	5397	10TMW	Drive Shaft
4588	10FJZ	Washer	5296	10BAZ	Side Plate Cam Lever	5398	10TPW	Level Wind Protector
4652	1046G	Brake Shoe	5306	10TMT	Spool Tension Spring	5401	10197	Right Side Plate
4729	108WQ	O Ring	5308	10190	Washer	5403	10TPN	Worm Shaft
4868	10D3H	Key Washer	5310	10HJG	Idle Gear Pin	5631	101DL	Dial Case Assembly
4872	10J47	Idle Gear	5311	10LFC	Screw	5761	100DE	Frame Assembly
4874	10FJB	Pawl Cap	5319	1054D	Bearing Retainer			
4877	10FNV	Idle Gear	5327	10JDY	Idle Gear Spring	4692	10LQ0	B-100 Oil (accessory)

Please note that the number of adjusting washers may not be the same as shown in the exploded views.
(Adjustment will vary with each individual product.)

(241029)_007