

AXOR Starck Classic
Single-Hole Faucet 70 with Pop-Up Drain, 1.2 GPM
 Finishes : **chrome** Part no. : **10010001**



Description

Features

- Aerated spray
- Flow: 1.2 GPM (4.5 L/Min)
- Joystick ceramic cartridge
- Includes pop-up drain

Technology



Design awards

DESIGN PLUS
 powered by **ISH**

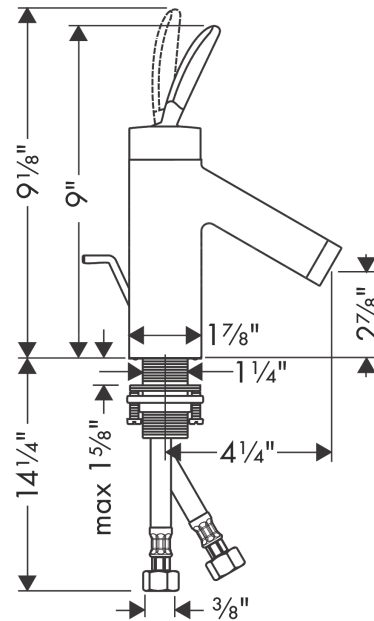


reddot design award

Product image



Scale drawing

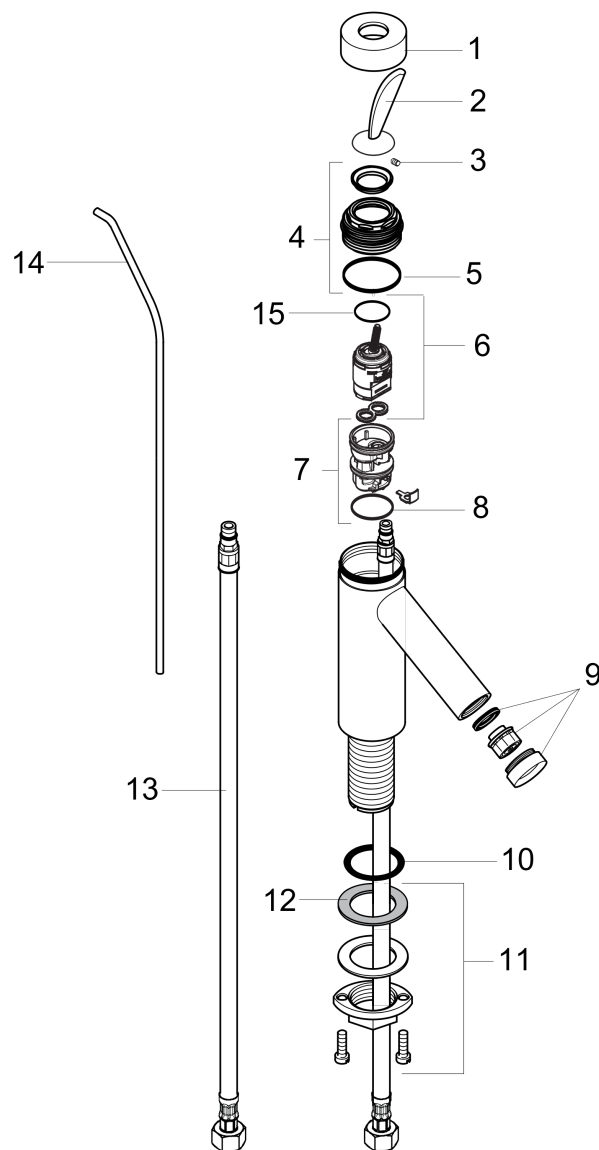


AXOR Starck Classic
Single-Hole Faucet 70 with Pop-Up Drain, 1.2 GPM
Finishes : **chrome** Part no. : **10010001**



Exploded drawing

Year of production: >07/16



AXOR Starck Classic
Single-Hole Faucet 70 with Pop-Up Drain, 1.2 GPM
 Finishes : **chrome** Part no. : **10010001**



Spare parts list

Year of production: >07/16

Pos.	Description	Part no.	PC	PU
1	flange	96427000	0	1
2	handle	10090000	0	1
3	hollow set screw M4x6	97767000	0	1
4	nut	97157000	0	1
5	O-Ring 30x2	98186000	0	1
6	cartridge, assy	96339000	0	1
7	adapter for cartridge	95289000	0	1
8	O-ring 26x2	98147000	0	1
9	aerator M24x1 (4,5 l/min)	92812000	0	1
10	O-ring 34x4	98155000	0	1
11	fixing set (Ø 32)	13961000	0	1
12	lever collar	97548000	0	1
13	connection hose 18½" M8x0,75 3/8"	96321001	0	1
14	pop up rod	94006000	0	1
15	O-ring 21,95x1,78	95169000	0	1
a	service tool	98755000	0	1
b	service tool for disassembling the handle	92124000	0	1
c	pop up waste	88509000	0	1