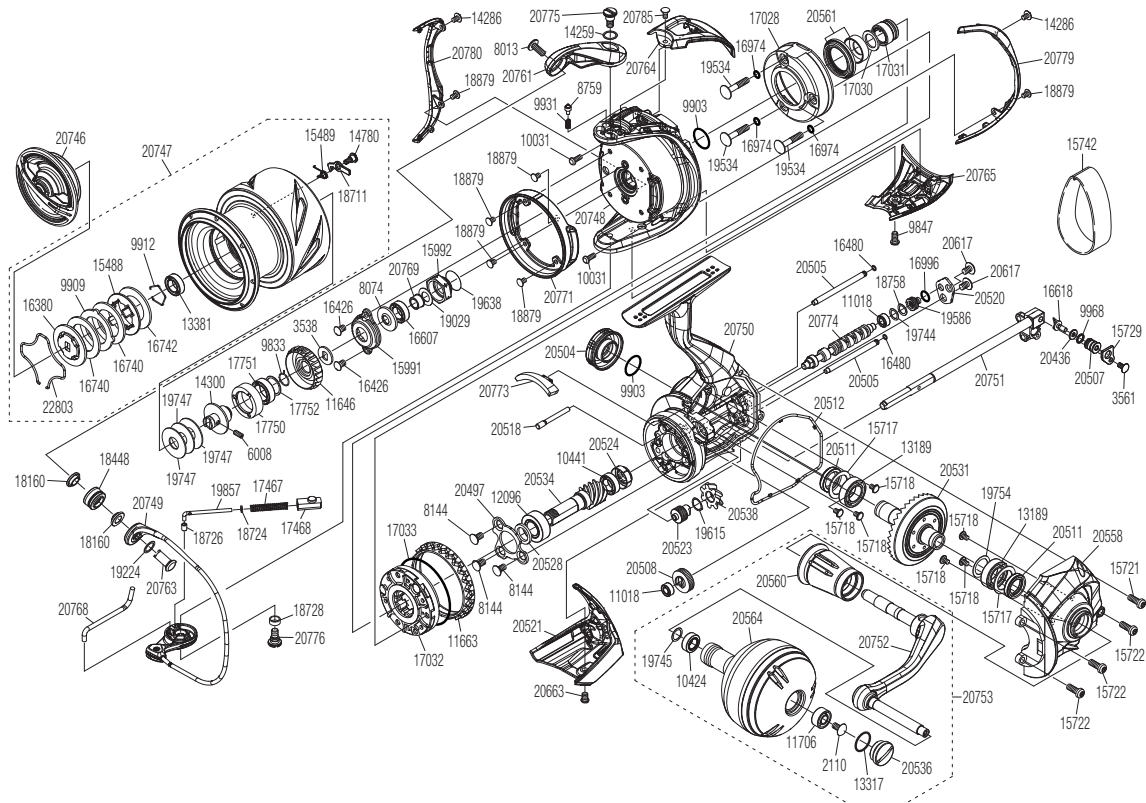


SHIMANO

STELLA **S**A-RB

STL-SW4000XG



Please note that the number of adjusting washers may not always be the same as shown in the exploded views.

(51SF24H043X)

Please note that your actions take full responsibility when you take it apart.

#	Part No.	Description	#	Part No.	Description	#	Part No.	Description
2110	103E9	Screw	17028	10MHCH	Clutch Water Proof Cover	20560	10RTA	Handle Shaft Cover Assembly
3538	103NX	Spool Support A	17030	10J2G	Washer	20561	10RR7	Roller Clutch Waterproof Assembly
3561	10MT4	Screw	17031	10667	Roller Clutch Inner	20564	101PQ	Handle Knob Assembly
6008	10PN2	Set Screw	17032	10QPK	Roller Clutch Assembly	20617	10E8M	Screw
8013	10K40	Screw	17033	108WZ	Clutch Cover Water Proof	20663	10RZ1	Screw
8074	107F2	Bearing Water Proof	17467	10R2P	Bail Spring	20746	10THQ	Drag Knob Assembly
8144	10ML2	Screw	17468	10R2E	Bail Spring Guide B	20747	100Z1	Spool Assembly
8759	106UX	Click Pin	17750	10TQH	Bearing Housing	20748	100NP	Rotor Assembly
9833	107V2	Ratchet Spring	17751	10EX8	Ball Bearing	20749	100NN	Bail Assembly
9847	10CYU	Screw	17752	10GHN	Washer	20750	100NQ	Body Assembly
9903	108WA	O Ring	18160	102OL	Collar	20751	100NS	Main Shaft Assembly
9909	10BCP	Eared Washer	18448	101BJ	Line Roller Set	20752	100HM	Handle Shank Assembly
9912	10GEW	Bearing Retainer	18711	10TJX	Drag Click Screw	20753	10THR	Handle Assembly
9931	10CGZ	Click Spring	18724	101D9	Spring Guide A Support Collar	20761	10EA2	Bail Arm
9968	108W9	O Ring	18726	10DKC	Spring Guide A Support Collar B	20763	10RKV	Line Roller Support
10031	103NC	Screw	18728	101D0	Collar	20764	10EA0	Bail Spring Cover
10424	105BN	Ball Bearing	18758	10TK0	Washer	20765	10RF8	Bail Hold Support Guard
10441	104JS	Ball Bearing	18879	10DND	Screw	20768	10E2E	Bail Trip Lever
11018	10PDA	Ball Bearing	19029	10M1	Washer	20769	10RLC	Spacer
11646	107PS	Drag Click Ratchet	19224	1002S	Washer	20771	10EA4	Rotor Brim
11663	104FW	Friction Ring	19534	1015M	Screw	20773	10E2A	Bail Trip Strike
11706	10KX1	Ball Bearing	19586	1015D	Bushing	20774	10SQD	Worm Shaft
12096	104Q6	Ball Bearing	19615	10160	Washer	20775	10RMA	Screw
13189	104PT	Ball Bearing	19638	1015S	Nut Water Proof	20776	10RFB	Screw
13317	10LAB	O Ring	19744	100XZ	Washer	20779	10RF0	Rotor Guard A
13381	104JT	Ball Bearing	19745	104FH	Washer	20780	10EA5	Rotor Guard B
14259	10G6C	Washer	19747	101AV	Spool Washer A	20785	1055D	Screw
14286	10MPF	Screw	19754	10DKJ	Washer	22803	145QR	Retainer
14300	10LTS	Bearing Bushing	19857	10SAN	Bail Spring Guide A			
14780	10A6F	Screw	20436	100CW	Washer			
15488	10BBQ	Key Washer A	20497	101NN	Bearing Retainer			
15489	10BQE	Drag Click Spring	20504	10DVQ	Handle Screw Cap			
15717	10BGE	Washer	20505	101N9	Oscillating Guide			
15718	1055G	Screw	20507	101NW	Collar			
15721	10A6N	Screw	20508	101N2	Idle Gear			
15722	10A6P	Screw	20511	101NM	Bearing Water Proof			
15729	10HAF	Oscillating Pawl Cover	20512	101NX	Body Seal			
15991	1076P	Retainer	20518	101MT	Idle Gear Shaft			
15992	1080X	Rotor Nut	20520	101NK	Worm Shaft Retainer			
16380	10QBV	Key Washer B	20521	10E3E	Rear Protector			
16426	103LB	Screw	20523	1028T	Idle Gear (Small)			
16480	10JAB	O Ring	20524	101P0	Bushing			
16607	104JV	Ball Bearing	20528	1028S	Washer			
16618	106VM	Oscillating Pawl	20531	101NH	Drive Gear Assembly			
16740	10345	Drag Washer A	20534	101MP	Pinion Gear			
16742	10C1A	Drag Washer B	20536	101NU	Handle Knob Seal			
16974	10LAD	O Ring	20538	101MZ	Idle Gear (Large)			
16996	10TNF	O Ring	20558	10RTD	Side Cover Assembly	15742	109UV	Belt (S) (accessory)