

# F1960 Brass PEX Plug

Job Name	_____
Location	_____
Engineer	_____
Contractor	_____
Tag	_____ PO# _____

## Specifications

Manufactured to the highest industry standards, Jones Stephens' F1960 lead-free brass cold expansion fittings provide precise, secure, and leak-free connections. Made with DZR brass, F1960 cold expansion fittings are corrosion and chlorine/chemical resistant – making them a great fit for aggressive water environments. Approved for use with PEX-A piping. Can be used with F1960 PEX rings.

## Applications

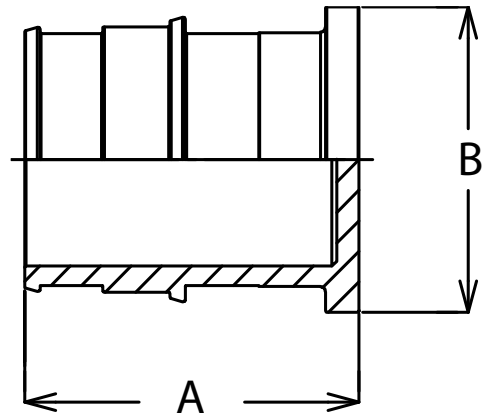
Jones Stephens' F1960 Brass PEX Plugs are approved for use with commercial and residential potable and non-potable water applications.

## Materials

Lead-free DZR brass

## Certifications/Listings/Approvals

- ASTM F1960-2021
- NSF/ANSI/CAN 61-2021
- NSF/ANSI/CAN 372-2022
- NSF/ANSI 14-2015
- CSA B137.5-2020
- Lead Law Compliant



	ID	OD
F1960 Specified Dimensions	in (mm)	in (mm)
1/2" End Connection	.41(10.33)	.61(15.59)
5/8" End Connection	.53(13.40)	.74(18.90)
3/4" End Connection	.62(15.80)	.87(22.10)
1" End Connection	.83(21.00)	1.11(28.10)
1-1/4" End Connection	.80(20.32)	1.36(35.54)
1-1/2" End Connection	1.08(27.43)	1.49(37.85)
2" End Connection	1.56(39.62)	2.08(52.83)

**Dimensions and Product Offering**

PART NO.	SIZE	A - IN (MM)	A TOLERANCE ±IN(MM)	B - IN (MM)	B TOLERANCE ±IN(MM)	WEIGHT - LBS (G)	WEIGHT TOLERANCE ±LBS (G)
<b>F76900</b>	0.50"	0.82 (20.90)	0.36 (9.07)	0.69 (17.50)	0.04 (0.912)	0.04 (18.14)	0.02 (10.89)
<b>F76901</b>	0.75"	1.06 (26.90)	0.36 (9.07)	0.94 (24.00)	0.04 (0.912)	0.07 (31.75)	0.02 (10.89)
<b>F76902</b>	1.00"	1.30 (32.90)	0.36 (9.07)	1.18 (30.00)	0.04 (0.912)	1.18 (30.00)	0.02 (10.89)