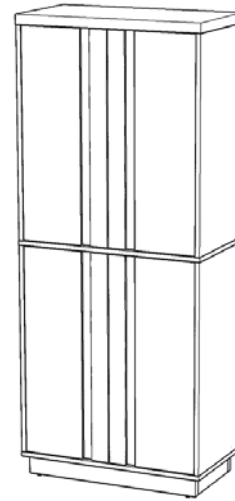


# Pantry



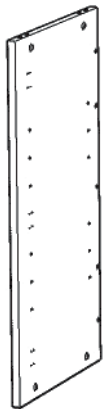
## IMPORTANT

Carefully remove all the parts from the carton and place them individually on a soft cloth to prevent scratches or other damage.

Carefully and strictly follow these assembly instructions to ensure a completed product as designed.

Do not use power tools above 8 volts to assemble.

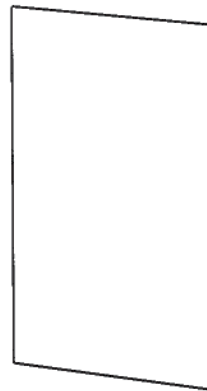
## Part List



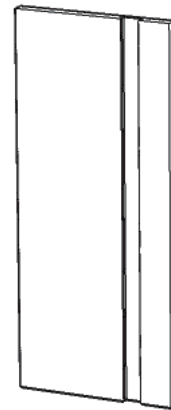
F.  
Side Panel  
4 pcs.



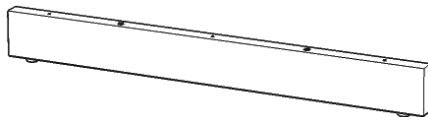
G.  
Back Upright  
4 pcs.



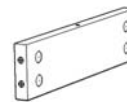
H.  
Back Panel  
2 pcs.



I.  
Door  
4 pcs.



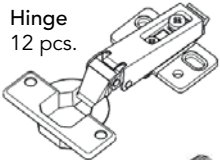
J.  
Plinth  
2 pcs.



K.  
Plinth  
2 pcs.

## Hardware List

Hinge  
12 pcs.



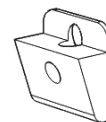
Cam Lock Screw  
32 pcs. (+2 extra)



Cam Lock Screw (long)  
6 pcs. (+1 extra)



M3.5x64  
Wood Screw (long)  
8 pcs. (+1 extra)



Plastic Clip  
12 pcs. (+1 extra)



Dowel (long)  
4 pcs. (+1 extra)



Plastic Cap (small)  
6 pcs. (+1 extra)



Adjustable Pin  
16 pcs. (+1 extra)



Cam Lock  
44 pcs. (+6 extra)



M3.5x19  
Wood Screw (short)  
6 pcs. (+1 extra)



M3.5x14  
Wood Screw  
for Hinge  
72 pcs. (+1 extra)



M3x20  
Wood Screw  
for Plastic Clip  
12 pcs. (+1 extra)



Dowel  
20 pcs. (+1 extra)



Plastic Cap (large)  
16 pcs. (+1 extra)

Carton 20 08002 0692 is also needed for assembly.

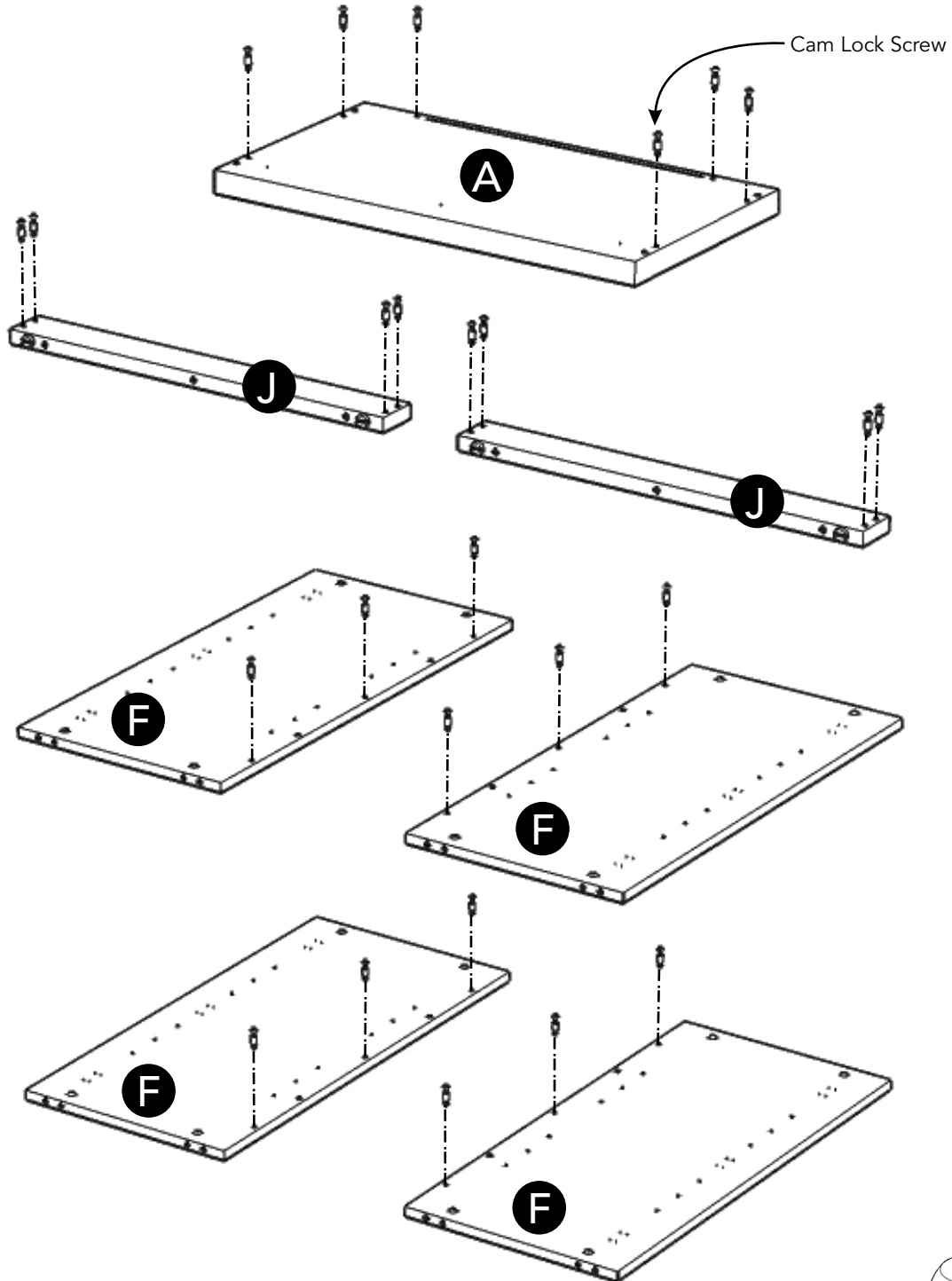
Tool(s) required for assembly: Phillips screwdriver, Level, Drill (8 volts or less), 3/8" Drill Bit

Home Styles Customer Service: [www.homestyles-furniture.com](http://www.homestyles-furniture.com),  
 servicedesk@homestyles-furniture.com, 888-680-7460, 877-831-0319

# Assembly Instructions 2/11

## IMPORTANT

- Use a soft cloth between these parts and the floor.
- Do not use power tools above 8 volts to assemble.
- Make sure unit is level before tightening these screws.
- The unit must be level to work properly. Use the included adjustable levelers to level.



## STEP 1

Insert Cam Lock Screws into pre-drilled holes in Top (A), Side Panels (F) and Plinths (J), then tighten. (See Figure 1)

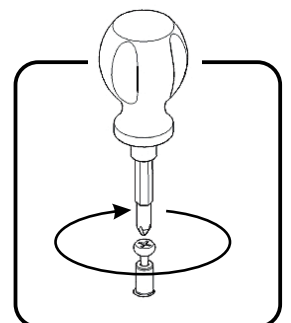


Figure 1

# Assembly Instructions 3/11

## STEP 2

Attach Plinths (J) to Plinths (K) with Cam Locks. (See Figure 2)

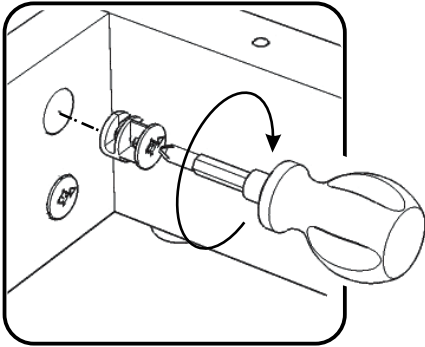
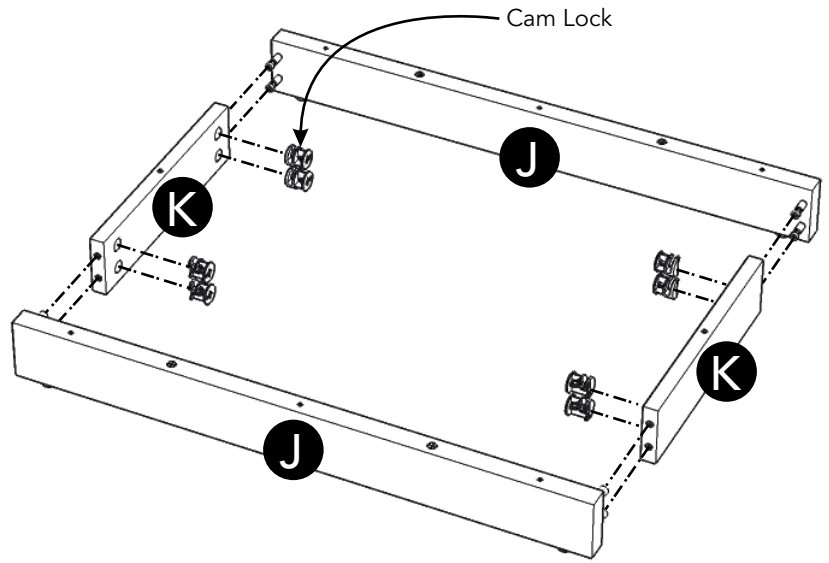


Figure 2



## STEP 3

Place Base (E) upside down on a soft cloth.

Insert Dowels into pre-drilled holes in Base (E). (See Figure 3)

Attach unit to Base (E) with Wood Screws (long). (See Figure 4)

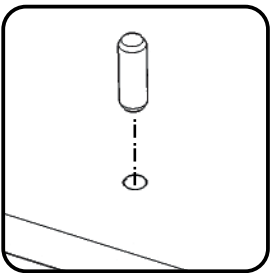


Figure 3

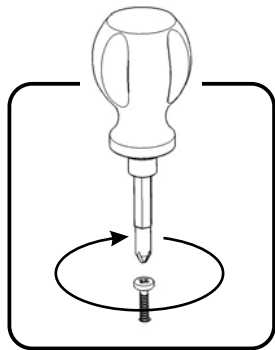
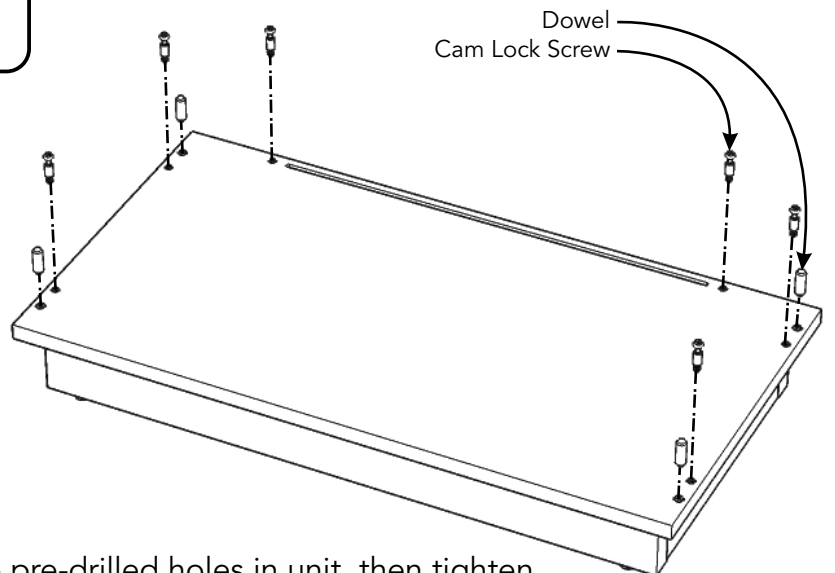
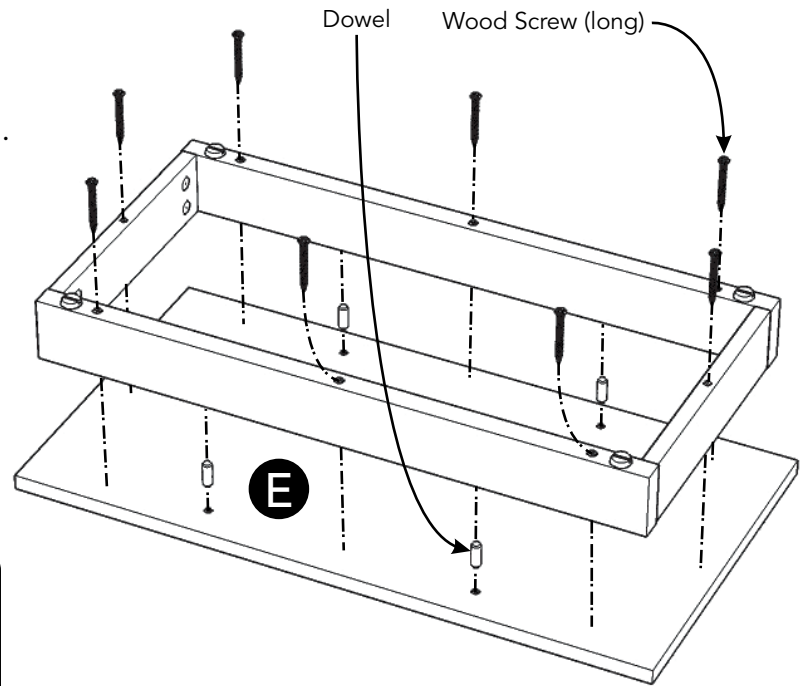


Figure 4



## STEP 4

Turn unit over to its upright position.

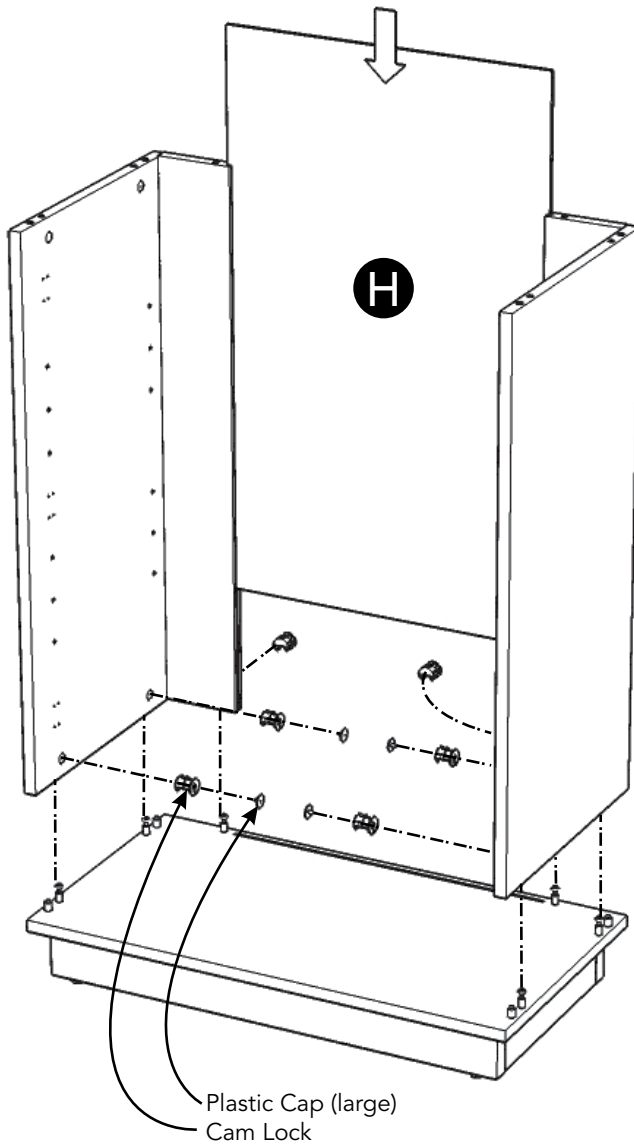
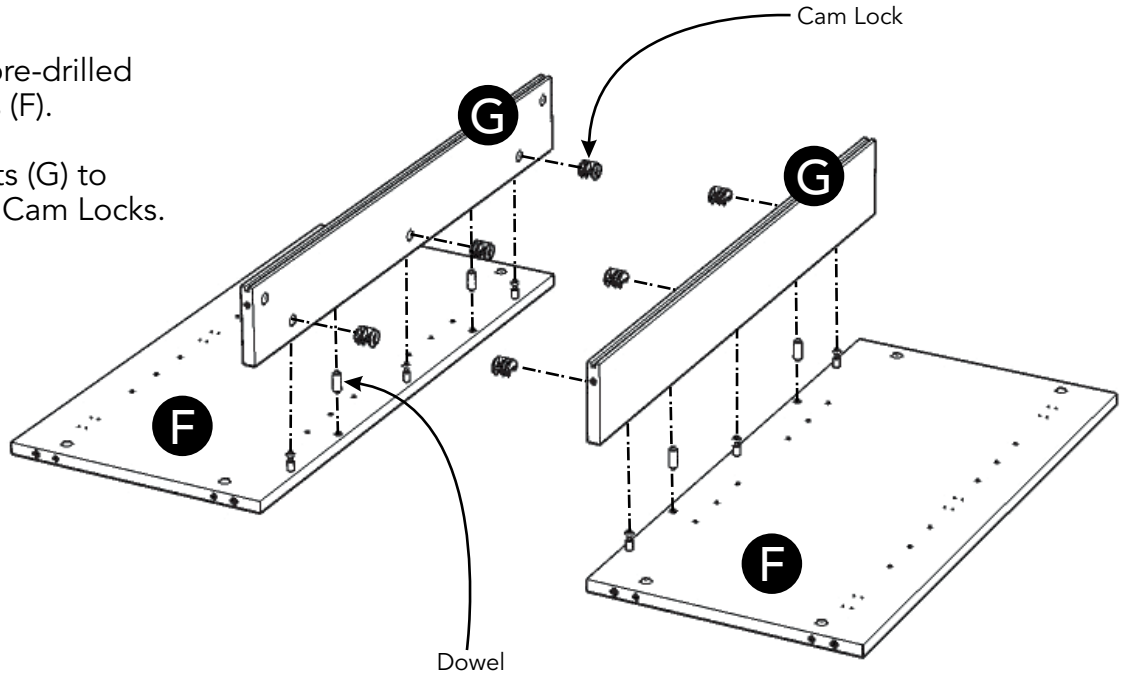
Insert Dowels and Cam Lock Screws into pre-drilled holes in unit, then tighten.

# Assembly Instructions 4/11

## STEP 5

Insert Dowels into pre-drilled holes in Side Panels (F).

Attach Back Uprights (G) to Side Panels (F) with Cam Locks.



## STEP 6

Attach units from Step 5 to unit from Step 4 with Cam Locks.

Cover Cam Locks with Plastic Caps (large).  
(See Figure 5)

Slide Back Panel (H) into position.

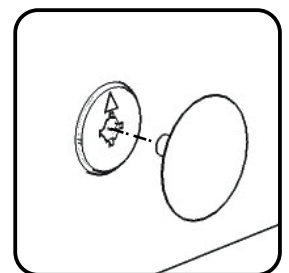


Figure 5

# Assembly Instructions 5/11

## STEP 7

Attach Rail (C) to Middle Panel (B) with Wood Screws (short).

Cover Wood Screws (short) with Plastic Caps (small). (See Figure 6)

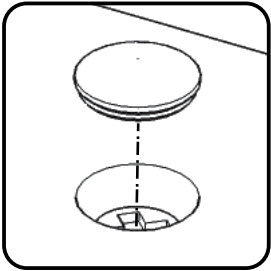
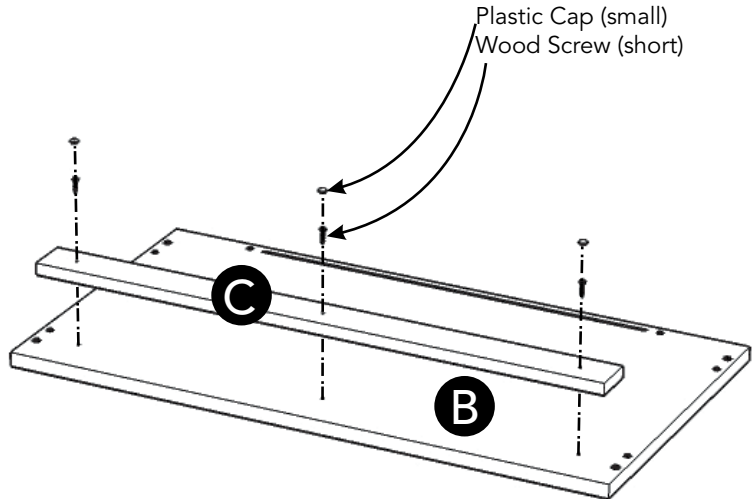
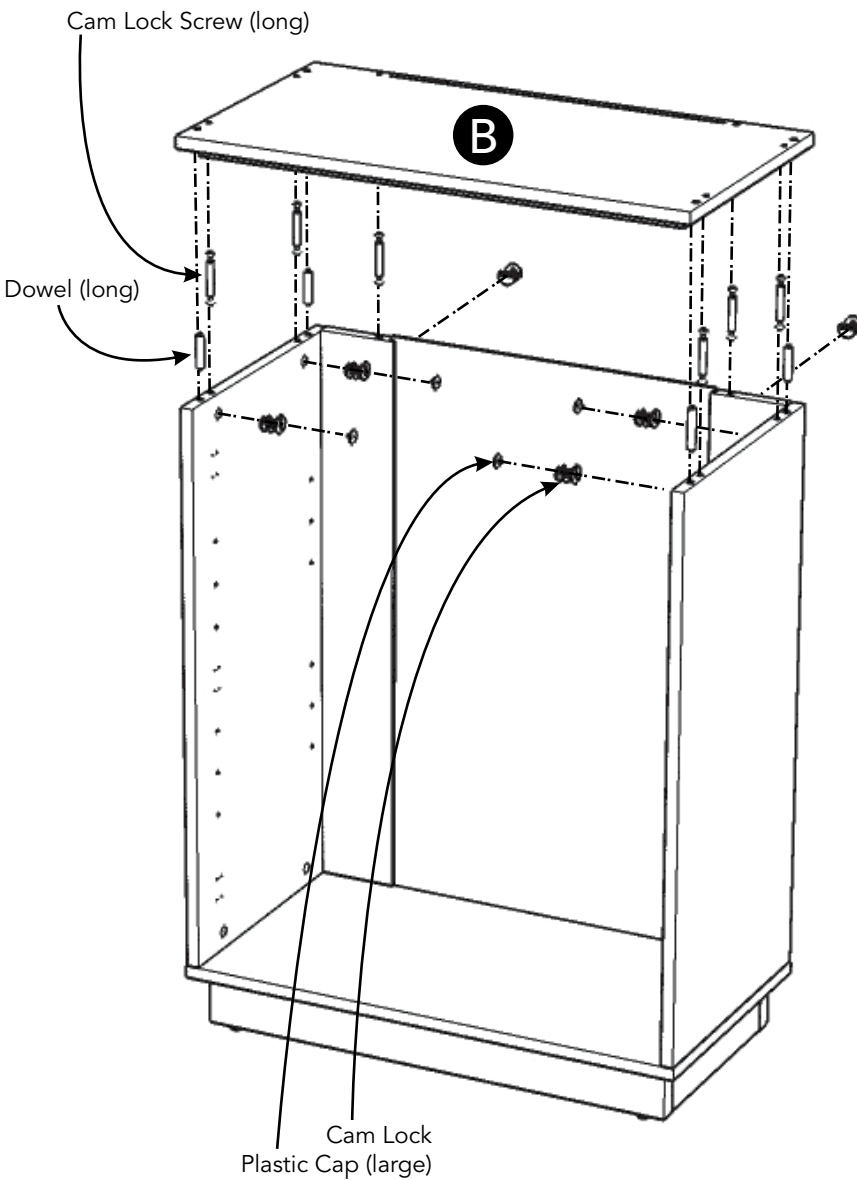


Figure 6



## STEP 8

Insert Dowels (long) and Cam Lock Screws (long) into pre-drilled holes in unit from Step 6. (See Figure 7)

Attach Middle Panel (B) to unit with Cam Locks.

Cover Cam Locks with Plastic Caps (large).

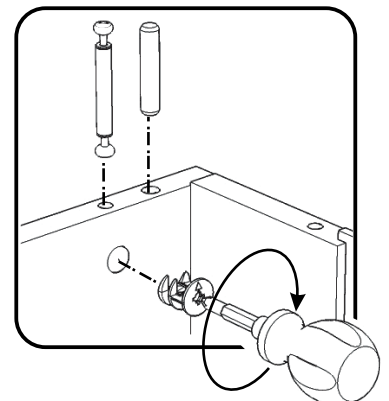


Figure 7

# Assembly Instructions 6/11

## STEP 9

Attach Hinges to Doors (I) with Wood Screws for Hinge into pre-drilled holes, then tighten. (See Figure 8)

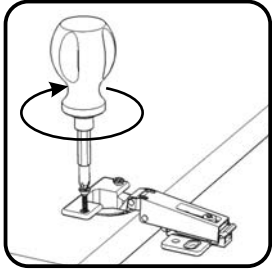


Figure 8

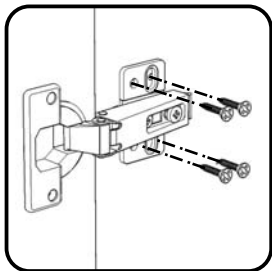
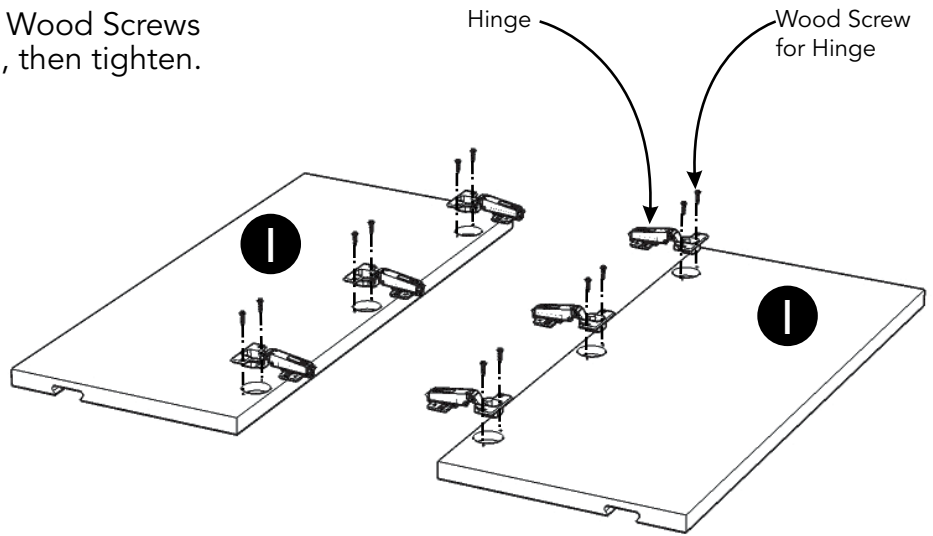


Figure 9

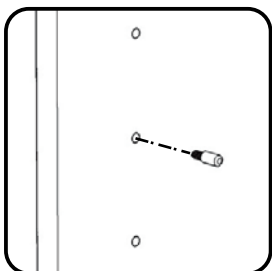
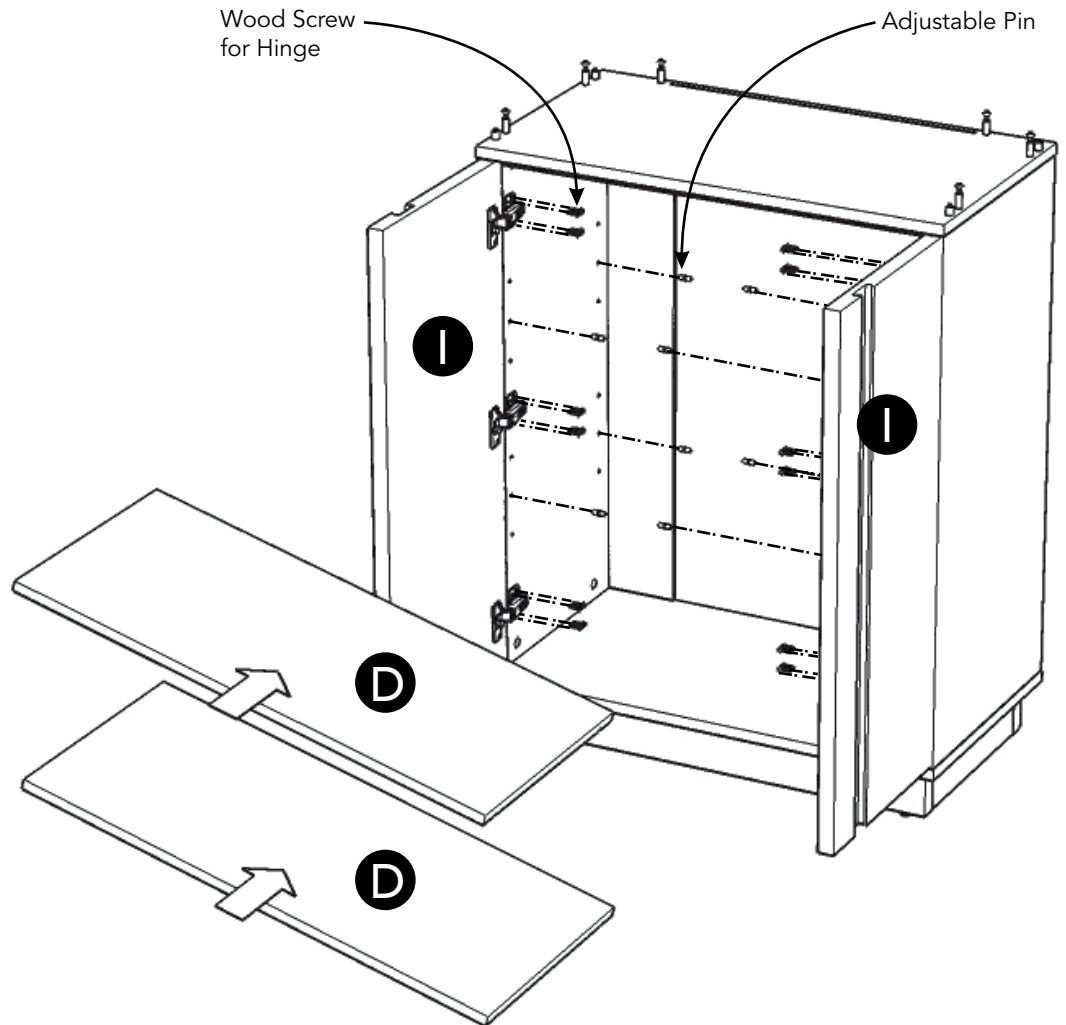


Figure 10



## STEP 10

Attach Doors (I) to unit with Wood Screws for Hinge. (See Figure 9)

Insert Adjustable Pins into side panels at desired level. (See Figure 10)

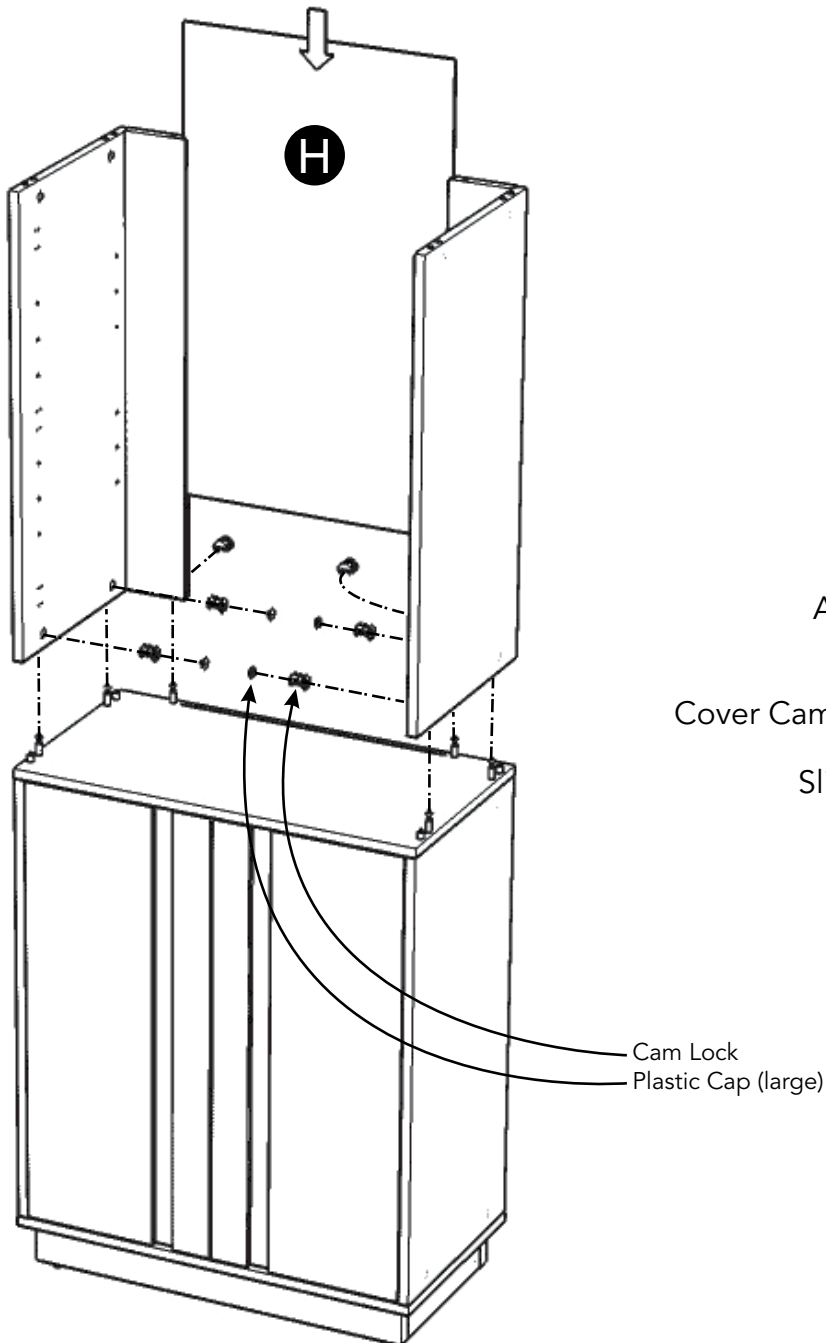
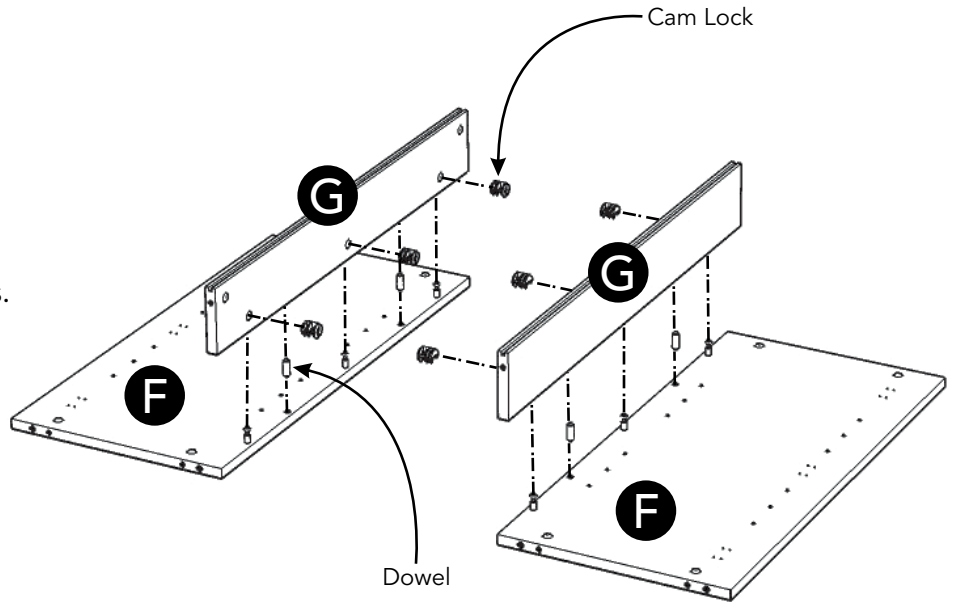
Place Shelves (D) into position.

# Assembly Instructions 7/11

## STEP 11

Insert Dowels into pre-drilled holes in Side Panels (F).

Attach Back Uprights (G) to Side Panels (F) with Cam Locks.



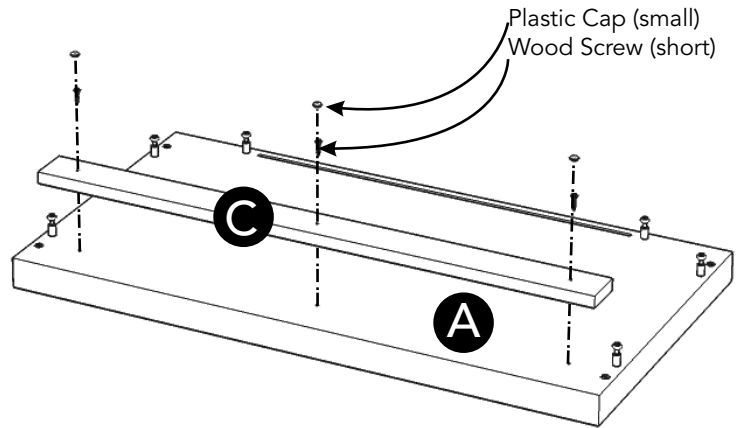
## STEP 12

Attach units from Step 11 to unit from Step 10 with Cam Locks.

Cover Cam Locks with Plastic Caps (large).

Slide Back Panel (H) into position.

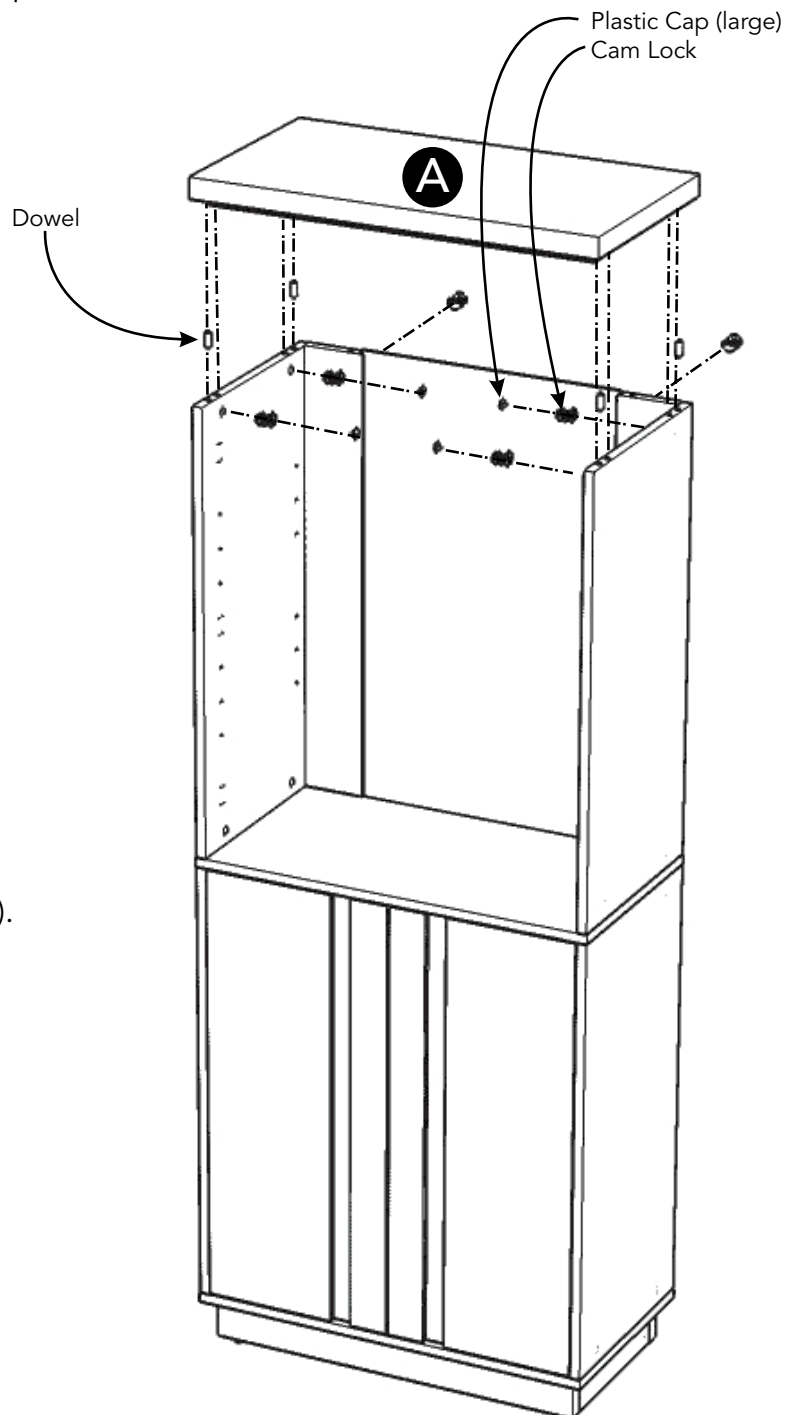
## Assembly Instructions 8/11



### STEP 13

Attach Rail (C) to Top (A) with Wood Screws (short).

Cover Wood Screws (short) with Plastic Caps (small).



### STEP 14

Insert Dowels into pre-drilled holes in unit from Step 12.

Attach Top (A) to unit with Cam Locks.

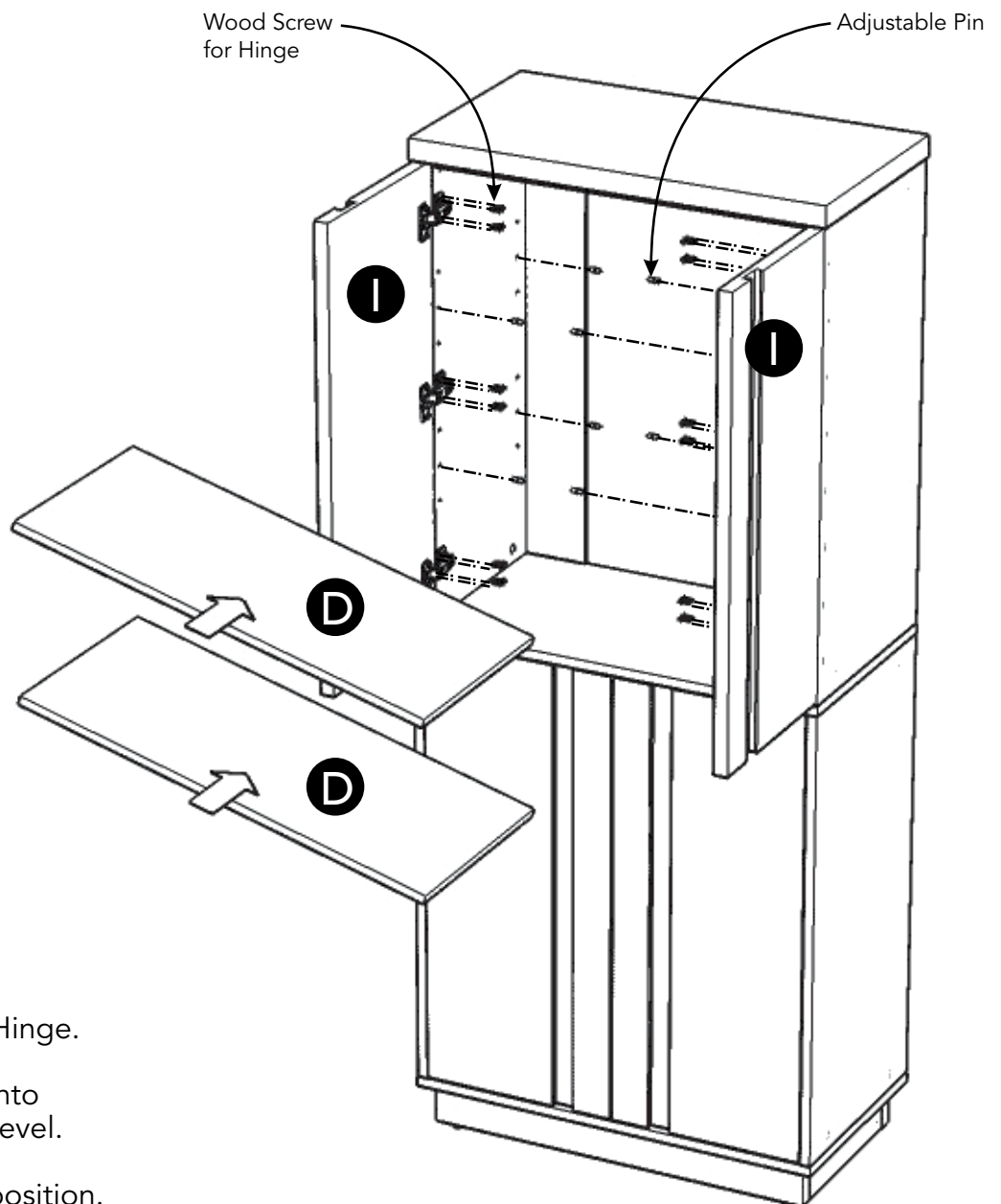
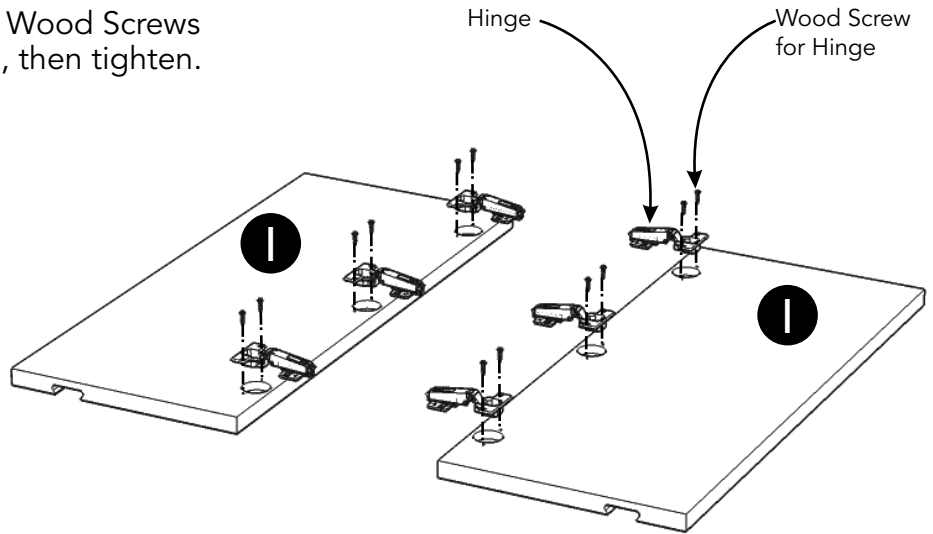
Cover Cam Locks with Plastic Caps (large).



# Assembly Instructions 9/11

## STEP 15

Attach Hinges to Doors (I) with Wood Screws for Hinge into pre-drilled holes, then tighten.



## STEP 16

Attach Doors (I) to unit with Wood Screws for Hinge.

Insert Adjustable Pins into side panels at desired level.

Place Shelves (D) into position.

# Assembly Instructions 10/11

## STEP 17

Level unit by adjusting the adjustable levelers on bottom of unit. (See Figure 11)

Attach Plastic Clips to unit with Wood Screws for Plastic Clip. (See Figure 12)

Note: Unit must be level before attaching Plastic Clips.

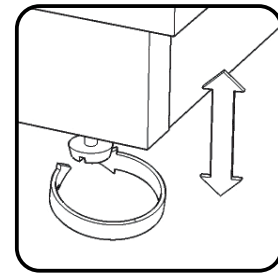
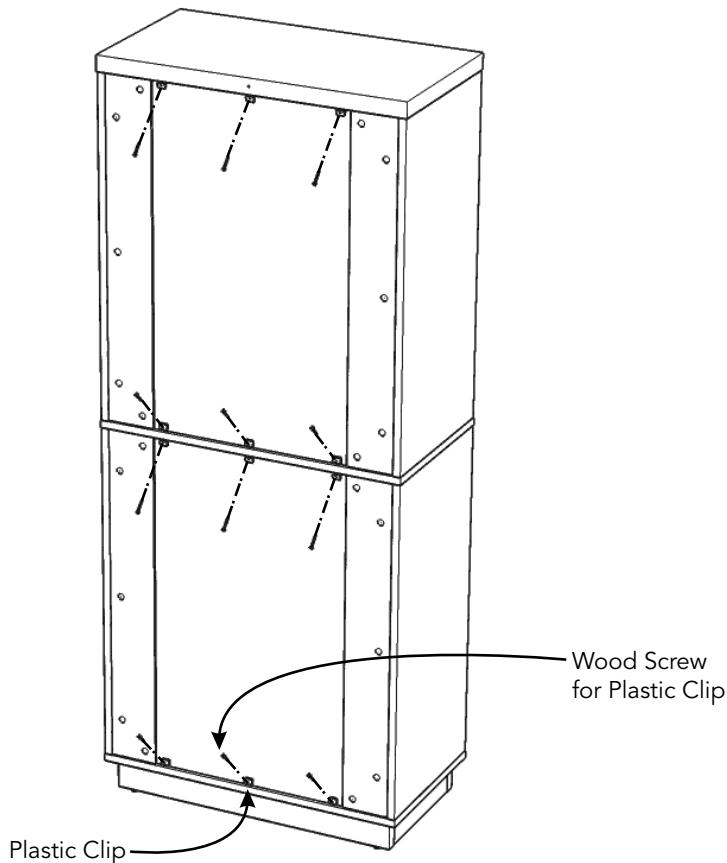


Figure 11

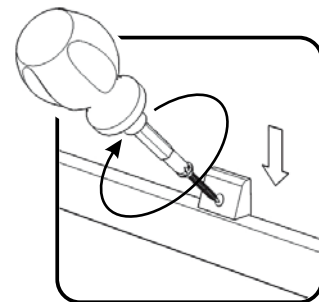


Figure 12

## STEP 18

If needed, adjust doors up or down by removing the front Wood Screws for Hinge and loosening slightly the back Wood Screws for Hinge from side panel, adjusting doors up or down and reinstalling screws. (See Figure 13)

If needed, adjust doors left to right. (See Figure 14)

If needed, adjust doors front to back. (See Figure 15)

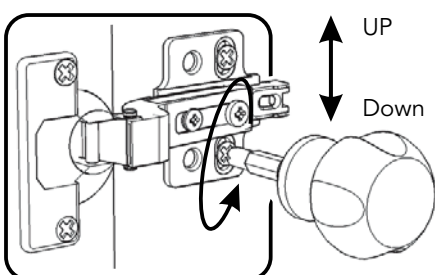


Figure 13

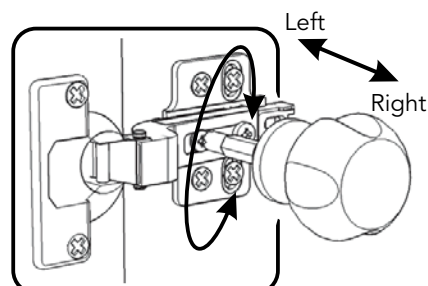


Figure 14

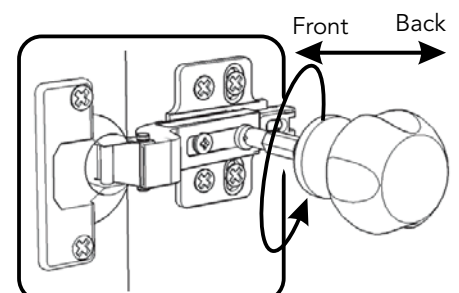


Figure 15

# Assembly Instructions 11/11

## IMPORTANT

- To help reduce the risk of the unit tipping over, the Tipover Restraint must be installed following these instructions exactly.

## STEP 19

Place unit at desired location.

Drill a 3/8" hole in wall in-line with pre-drilled hole at top of unit.

Move unit.

Insert Anchor into the wall hole and attach Bracket with Wall Screw.

Attach Bracket at pre-drilled hole at top of unit with Wood Screw.

Move unit back into place.

Slide Tipover Restraint through Bracket on wall and Bracket on unit.  
(See Figure 16)

Put tie end of Tip-over Restraint into lock end of Tipover restraint and pull until tight.

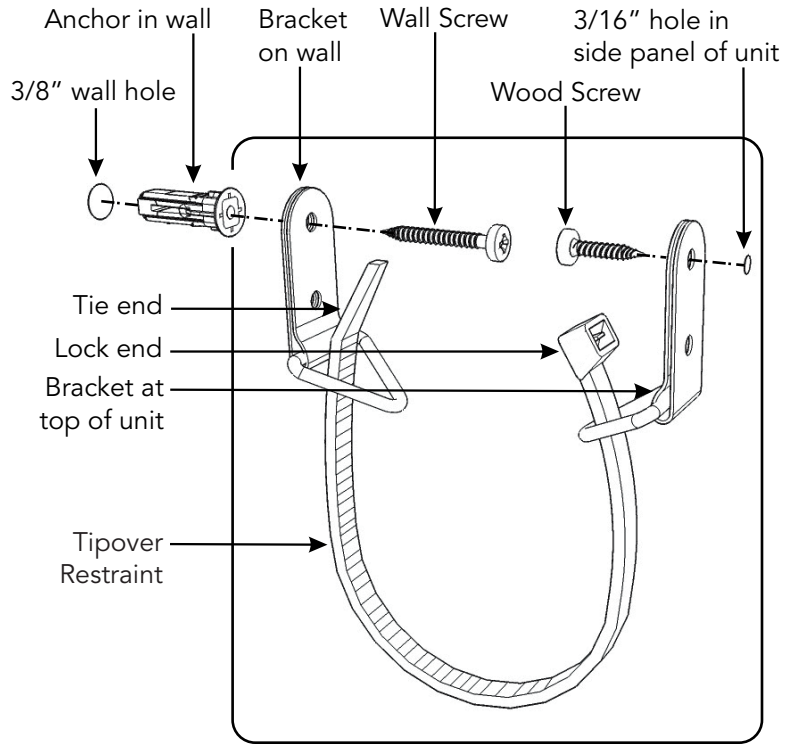
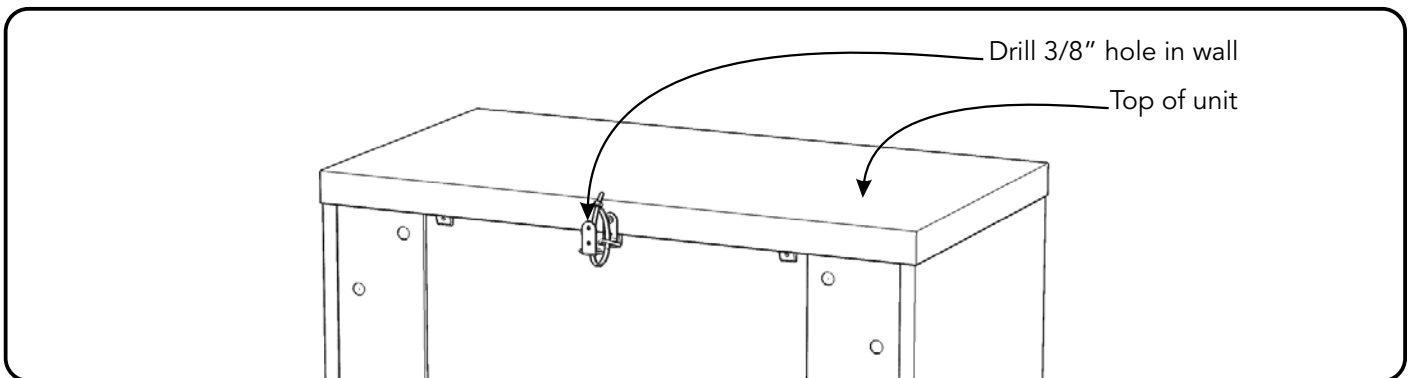
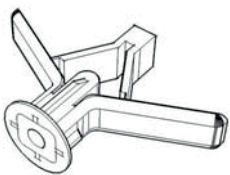


Figure 16



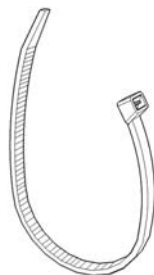
## Hardware List



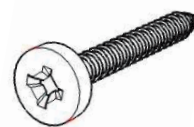
Anchor  
1 pc. (+1 extra)



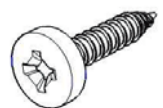
Bracket  
2 pcs. (+1 extra)



Tip-over Restraint  
1 pc. (+1 extra)



M3.5x38  
Wall Screw  
1 pc. (+1 extra)



M3x16  
Wood Screw  
1 pc. (+1 extra)

# CARE INSTRUCTIONS

## NEVER

allow liquids to remain on furniture.  
Absorption causes parts to warp  
and split and finishes to delaminate.

## NEVER

use glass cleaners on  
finished furniture. Ammonia  
chemically attacks the finish.



Do not use power tools  
above 8 volts to assemble.  
**PREVENT  
CRACKING**



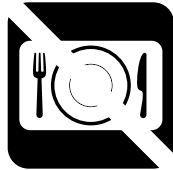
Do not place  
in direct sunlight.  
**PREVENT  
FADING**



Do not write  
directly on surface.  
**PREVENT  
MARKING**



Do not place hot  
objects on surface.  
**PREVENT  
FINISH DAMAGE**



Do not use rubber  
based placemats.  
**PREVENT  
DISCOLORING**



Do not use commercial  
waxes and polishes.  
**PREVENT  
YELLOWING**

## CLEAN

with a soft cloth moistened  
in lukewarm soap and water.  
Buff with a dry clean cloth.



Home Styles will provide replacements free of charge for missing or damaged hardware or parts within 30 days of purchase. Digital images of the defective parts may be required. If the product was not purchased from an authorized retail affiliate, Home Styles is under no obligation to provide replacement parts. Parts are not available for fully assembled items nor are parts available for sale. Replacements for missing or damaged hardware or parts may be requested at:

[www.homestyles-furniture.com/customer-service/replacement-parts](http://www.homestyles-furniture.com/customer-service/replacement-parts)

Home Styles Customer Service: [www.homestyles-furniture.com](http://www.homestyles-furniture.com),  
[servicedesk@homestyles-furniture.com](mailto:servicedesk@homestyles-furniture.com), 888-680-7460, 877-831-0319