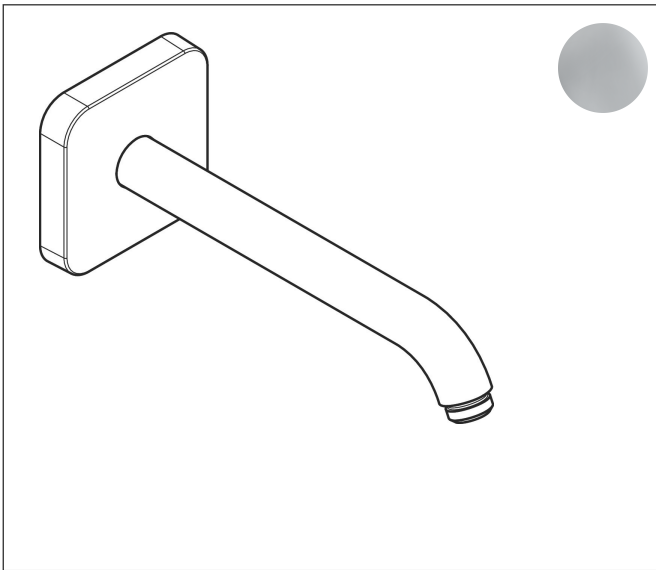


Brand	AXOR
Art. Name	AXOR ShowerSolutions Showerarm 9" softsquare
Art. Nr.	26968001
Surface	chrome
Pos.	1

Product Picture



Features

- length: 9.06"
- Brass
- connection type: 1/2" NPT
- Showerarm, Escutcheon, Mounting Material, Assembly instructions

Drawing

