

**EVERY
THING
YOU NEED
TO KNOW
ABOUT YOUR**

XO

XO CEILING MOUNT
MODELS XOCEILING36S, XOCEILING42S

I worked really hard
on this manual - so
please read it...

XO



VENTILATION

When buying any XO appliance you can be confident you have chosen a high quality, innovative and stylish product from a company that cares about you!

If you require service or have questions, there are 2 ways to contact our ventilation experts;

Online @ <https://xoappliance.com/priority-service-for-your-xo-product/>

Or by phone 973-403-8900



CONGRATULATIONS

on purchasing your XO.
Before you proceed, take just a moment to register your XO at:

www.xoappliance.com/register-your-product/

Or simply scan here to be taken to the registration page...



REGISTRATION HELPS YOU BY -

- Ensuring warranty coverage should you need service
- Providing ownership verification for insurance purposes
- Let's XO notify you in the event of product changes or recalls.

WHERE THINGS ARE

GETTING READY

5 - 11

Safety and Precautions
Planning Ductwork
Install Examples
Dimensions

THE INSTALL

12 - 17

Mounting Height
Installing
Electrical Connections

MAINTENANCE

18 - 19

Filters
Cleaning
Recirculation
Light Replacement

OPERATING

20 - 21

The Push Button Controls
CCC Make Up Air Conversion

PARTS & WARRANTY

22 - 23

**PLEASE READ AND FOLLOW
ALL SAFETY INSTRUCTIONS**

It's for your
own good...
Honest.

XO

SAFETY FIRST

■ IMPORTANT SAFETY INSTRUCTIONS

■ FOR RESIDENTIAL USE ONLY

■ READ AND SAVE THESE INSTRUCTIONS

■ PLEASE READ ENTIRE INSTRUCTIONS BEFORE PROCEEDING.

■ **IMPORTANT:** Save these Instructions for the Local Electrical Inspectors use.

■ **INSTALLER:** Please leave these Instructions with this unit for the owner.

■ **OWNER:** Please retain these instructions for future reference.

■ Take care when using cleaning agents or detergents.

■ Suitable for use in household cooking area.

■ **WARNING** - To reduce the risk of fire or electric shock, do not use this fan with any Solid-State Speed Control Device.

■ **CAUTION** - To reduce risk of fire and to properly exhaust air, be sure to duct air outside – Do not vent exhaust air into spaces within walls or ceilings or into attics, crawl spaces, or garages.

■ **CAUTION** - For Residential Kitchen ventilating use only. Do not use to exhaust hazardous or explosive materials and vapors.

■ **CAUTION** - To avoid motor bearing damage and noisy and/or unbalanced impellers, keep drywall spray, construction dust, etc. off power unit.

■ **CAUTION** - Please read specification label on product for further information and requirements.

■ **WARNING** – TO REDUCE THE RISK OF FIRE, ELECTRIC SHOCK, OR INJURY TO PERSONS, OBSERVE THE FOLLOWING:

A. Use this unit only in the manner intended by the manufacturer. If you have questions, contact the manufacturer.

B. Before servicing or cleaning unit, switch power off at service panel and lock the service disconnecting means to prevent power from being switched on accidentally. When the service disconnecting means cannot be locked, securely fasten a prominent warning device, such as a tag, to the service panel.

■ **WARNING - TO REDUCE THE RISK OF A RANGE TOP GREASE FIRE:**

A. Never leave surface units unattended at high settings. Boilovers cause smoking and

greasy spillovers that may ignite. Heat oils slowly on low or medium settings.

- B.** Always turn hood ON when cooking with high heat.
- C.** Clean ventilating fans frequently. Grease should not be allowed to accumulate on fan or filter.
- D.** Use proper pan size. Always use cookware appropriate for the size of the surface element.
- E.** Keep fan, filters and grease laden surface clean.
- F.** Use high range setting on range only when necessary. Heat oil slowly on low to medium setting.
- G.** Don't leave range unattended when cooking.
- H.** Always use cookware and utensils appropriate for the type and amount of food being prepared.

■ **WARNING** – TO REDUCE THE RISK OF INJURY TO PERSONS IN THE EVENT OF A RANGE TOP GREASE FIRE, OBSERVE THE FOLLOWING:

- A.** SMOTHER FLAMES with a close-fitting lid, cookie sheet, or metal tray, then turn off the burner. BE CAREFUL TO PREVENT BURNS. If the flames do not go out immediately, EVACUATE AND CALL THE FIRE DEPARTMENT.
- B.** NEVER PICK UP A FLAMING PAN – You may be burned.
- C.** DO NOT USE WATER, including wet dishcloths or towels – a violent steam explosion will result.
- D.** Use an extinguisher ONLY if:
 1. You know you have a Class ABC extinguisher, and you already know how to operate it.
 2. The fire is small and contained in the area where it started.
 3. The fire department is being called.
 4. You can fight the fire with your back to an exit.

^aBased on "kitchen firesafety tips" published by NFPA.

Proper maintenance of the Range Hood will assure proper performance of the unit.

■ **INSTALLATION INSTRUCTIONS**

WARNING – TO REDUCE THE RISK OF FIRE, ELECTRIC SHOCK, OR INJURY TO PERSONS, OBSERVE THE FOLLOWING:

- A.** Installation work and electrical wiring must be done by qualified person(s) in accordance with all applicable codes and standards, including fire-rated construction.
- B.** Sufficient air is needed for proper combustion and exhausting of gases through the flue (chimney) of fuel burning equipment to prevent back drafting. Follow the heating equipment manufacturer's guideline and safety standards such as those published by the National Fire Protection Association (NFPA), and the American Society for Heating, Refrigeration and Air Conditioning Engineers (ASHRAE), and the local

code authorities.

- C. When cutting or drilling into wall or ceiling, do not damage electrical wiring and other hidden utilities.
- D. Ducted fans must always be vented to the outdoors.
- E. This unit must be grounded.

■ **WARNING** - TO REDUCE THE RISK OF FIRE, USE ONLY METAL DUCTWORK.

■ **WARNING** - UNDER CERTAIN CIRCUMSTANCES DOMESTIC APPLIANCES MAY BE DANGEROUS.

- A. Do not check filters with hood working.
 - B. Do not touch the lamps after a prolonged use of the appliance.
 - C. No food must be cooked flambè underneath the hood.
 - D. The use of an unprotected flame is dangerous for the filters and could cause fires.
 - E. Watch constantly while frying food in order to avoid cooking oil flare ups.
 - F. Before performing any maintenance operation, disconnect the hood from the electrical service.
- The manufacturers will not accept any responsibility for possible damages, because of failure to observe the above instructions.

A FEW SIMPLE RULES TO PLAN YOUR DUCTWORK

THIS HOOD IS DESIGNED TO USE A 6" ROUND DUCT - IT MAY BE TRANSITIONED TO A 3-1/4" X 10" RECTANGULAR DUCT

NEVER REDUCE DUCT SIZE. UNDERSIZED DUCTING SEVERELY RESTRICTS AIR FLOW AND HARMS PERFORMANCE.
(Example: the area of a 6" Duct is more than TWICE that of a 4" Duct)

KEEP DUCT RUNS AS SHORT AND STRAIGHT AS POSSIBLE.

AVOID USING FLEXIBLE METAL DUCTING IF RUN IS LONGER THAN 6'.

NEVER USE PLASTIC DUCTING.

USE SMOOTH BORE METAL DUCTING.

MINIMIZE THE NUMBER OF FITTINGS (see chart).

WHEN YOU MUST USE FITTINGS, TRY TO SEPARATE THEM WITH SECTIONS OF 3' OR MORE OF STRAIGHT DUCT.

ALWAYS FOLLOW THE MANUFACTURER'S GUIDELINES FOR THE COOKING EQUIPMENT YOU ARE VENTING.

IF MAKE UP AIR CONTROL DAMPERS ARE REQUIRED, POSITION THE SENSOR IN A STRAIGHT RUN OF DUCT IDEALLY WITH 3' OF STRAIGHT DUCT BETWEEN EACH SIDE OF THE SENSOR AND A DUCT FITTING. REMEMBER TO INCLUDE POWER AND CONTROL WIRING FOR THIS IN YOUR PLANS.

ADHERE TO ALL LOCAL BUILDING CODES AND ORDINANCES.





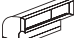







USE THE WORKSHEET THAT FOLLOWS TO HELP CALCULATE THE **TOTAL EQUIVILENT FEET** OF YOUR DUCT RUN.

TOTAL EQUIVILENT FEET SHOULD BE LESS THAN 100'.

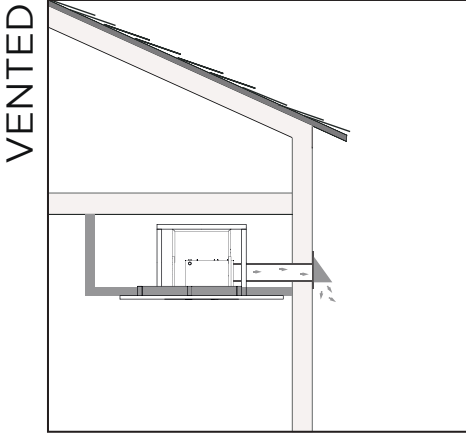
ESTIMATING TOTAL EQUIVALENT FEET IN A DUCT

CAUSING AIR TO CHANGE DIRECTION CAUSES TURBULENCE AND RESTRICTS FLOW IN A SYSTEM.
 IF USING FLEXIBLE METAL DUCT - INCREASE ALL MULTIPLIERS BY 50% (12 BECOMES 18 - ETC.)

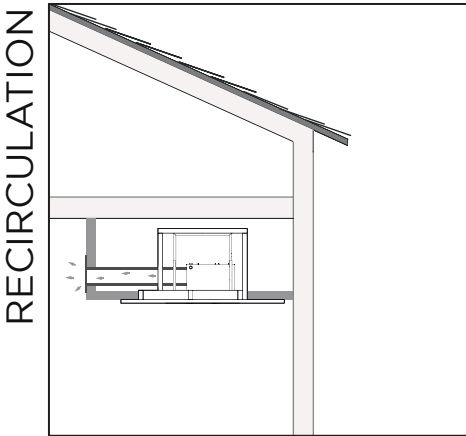
THIS EASY TO USE WORKSHEET IS FOR 600 CFM OR LESS.
 UNDER "QTY USED" ENTER HOW OF EACH SECTION YOU WILL BE USING.
 IN THE FIRST TWO ROWS - ENTER HOW MANY FEET OF EACH TYPE OF STRAIGHT DUCT YOU WILL BE USING (I.E. FOR 20 FT ENTER 20, FOR 30FT ENTER 30).
 ENTER THE NUMBER OF EACH TYPE OF TURN YOU ARE USING AND THE TYPE OF END CAP.
 MULTIPLY ACROSS EACH ROW THE "MULTIPLIER" x "QTY USED" TO GET THE EQUIVALENT FEET FOR THOSE COMPONENTS.
 ADD UP ALL THE VALUES IN THE "EQUIVALENT FEET" COLUMN.

DUCT PIECE	DESCRIPTION	MULTIPLIER	QTY USED	EQUIVALENT FEET
	1' of 6" Round Duct	1		
	1' of 3 1/4" x 10" Rect. Duct	1		
	6" 90 Degree Elbow	12		
	6" 45 Degree Elbow	7		
	3 1/4" x 10" 90 Degree	14		
	3 1/4" x 10" 45 Degree	8		
	3 1/4" x 10" Side 90 Degree	33		
	3 1/4" x 10" x 6" Round	2		
	3 1/4" x 10" x 6" 90 Degree	4		
	6" Round Wall Cap w Damper	24		
	3 1/4" x 10" Wall Cap w Damper	24		
	6" Round Roof Cap	33		
TOTAL EQUIVALENT FEET SHOULD BE LESS THAN 100				

TYPICAL INSTALLATION EXAMPLES



WALL EXHAUST



GRID EXHAUST

RECIRCULATION
EXHAUST MUST BE RE-
TURNED TO THE SPACE

DIMENSIONS

› Front of hood

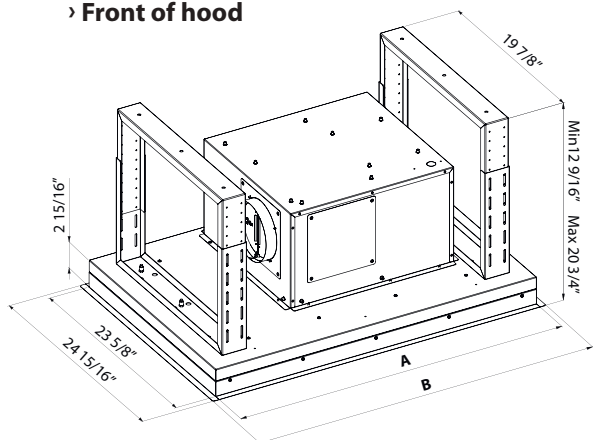
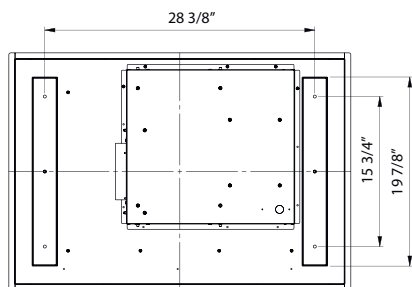


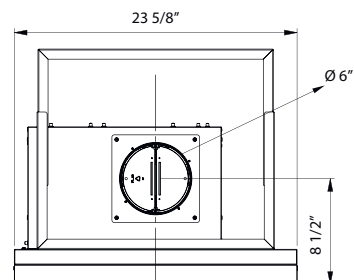
FIG.1

MODEL	A	B
XOCEILING36S	34 5/8"	35 7/8"
XOCEILING42S	40 5/8"	41 15/16"

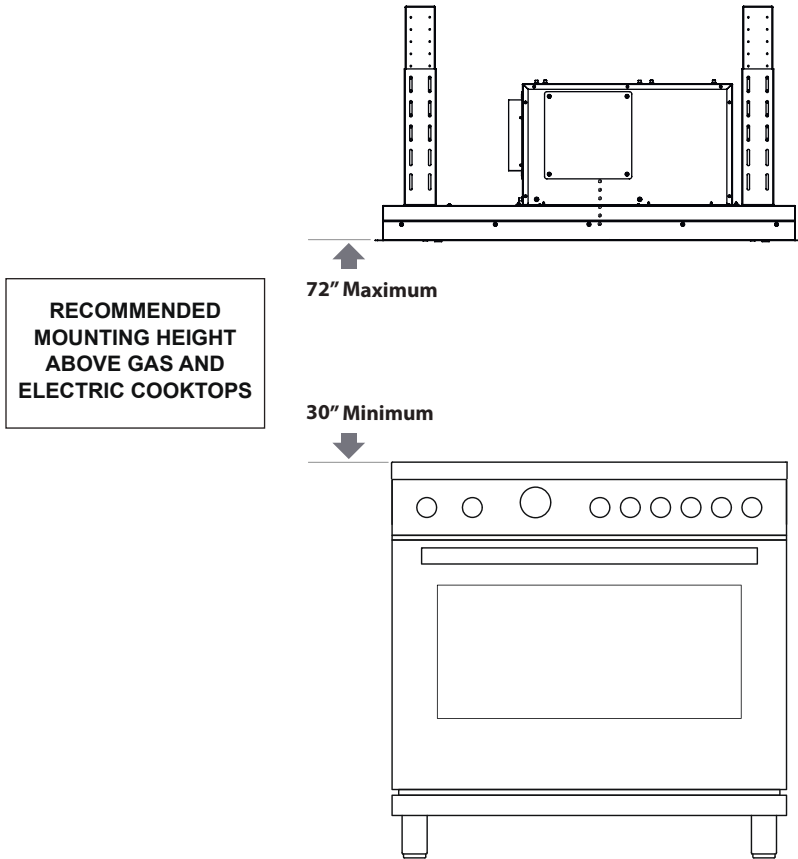
› Side of hood



› Top of hood



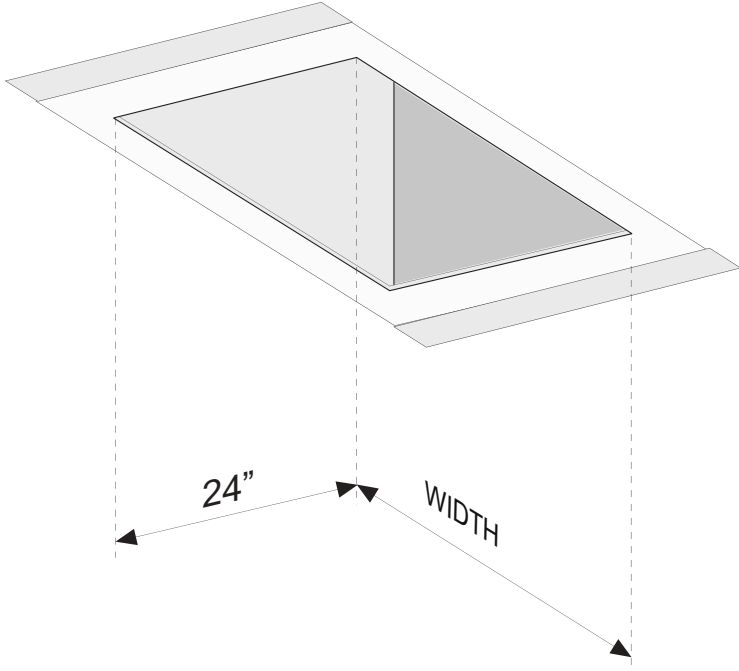
HIGHS AND LOWS



All range hoods have a recommended range of installation height over the cooking surface.

It is important to install the hood at the proper mounting height. Hoods mounted too low could result in heat damage and fire hazard; while hoods mounted too high will be hard to reach and will lose its performance and efficiency.

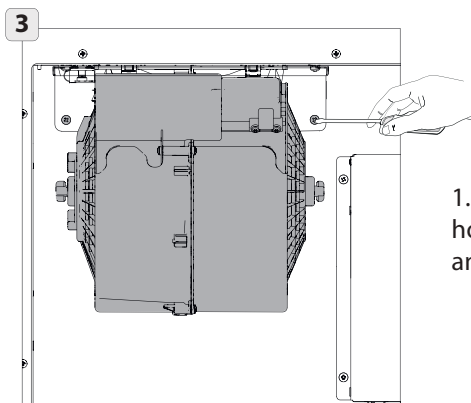
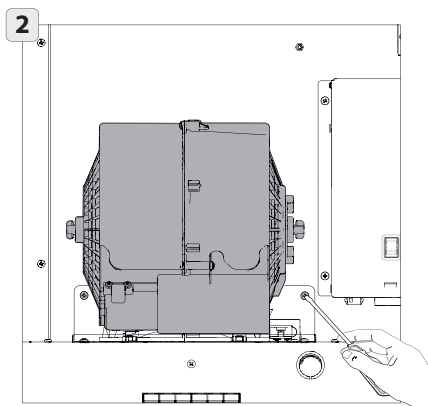
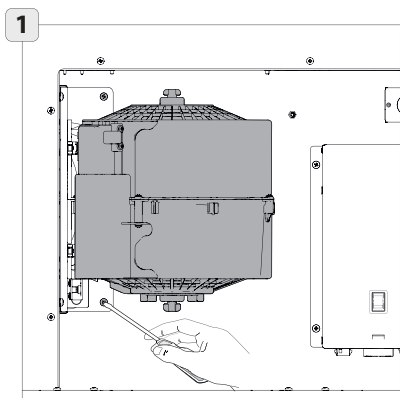
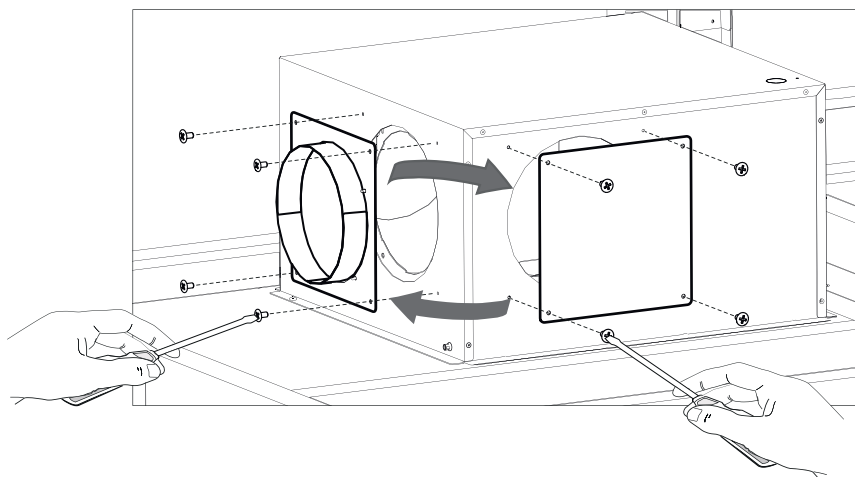
THE CUT OUT



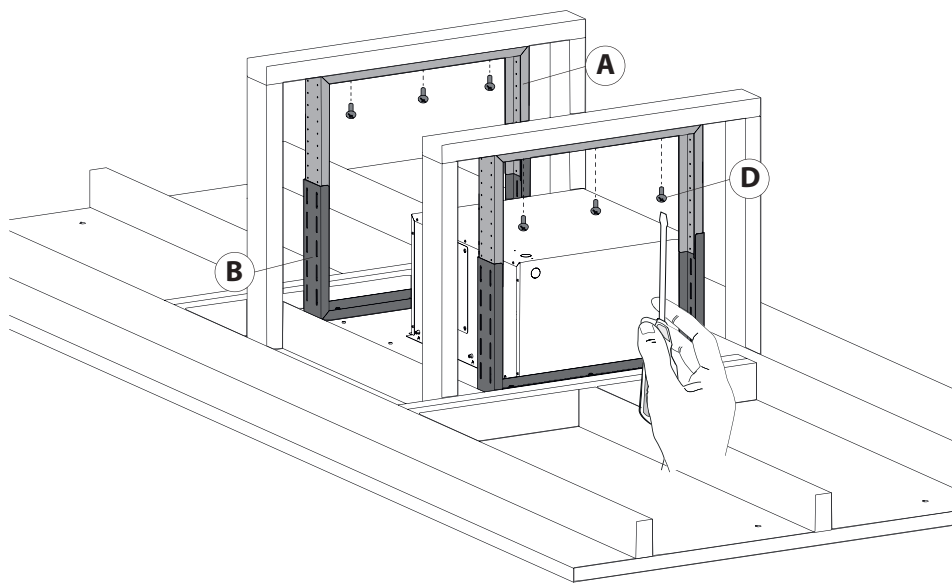
MODEL	WIDTH
XOCEILING36S	34 7/8"
XOCEILING42S	40 7/8"

To install the hood into a custom canopy or cabinet, refer to the cutout dimensions above for your particular model. Gap around the unit should be minimized (~ 1/8") to ensure a snug fit.

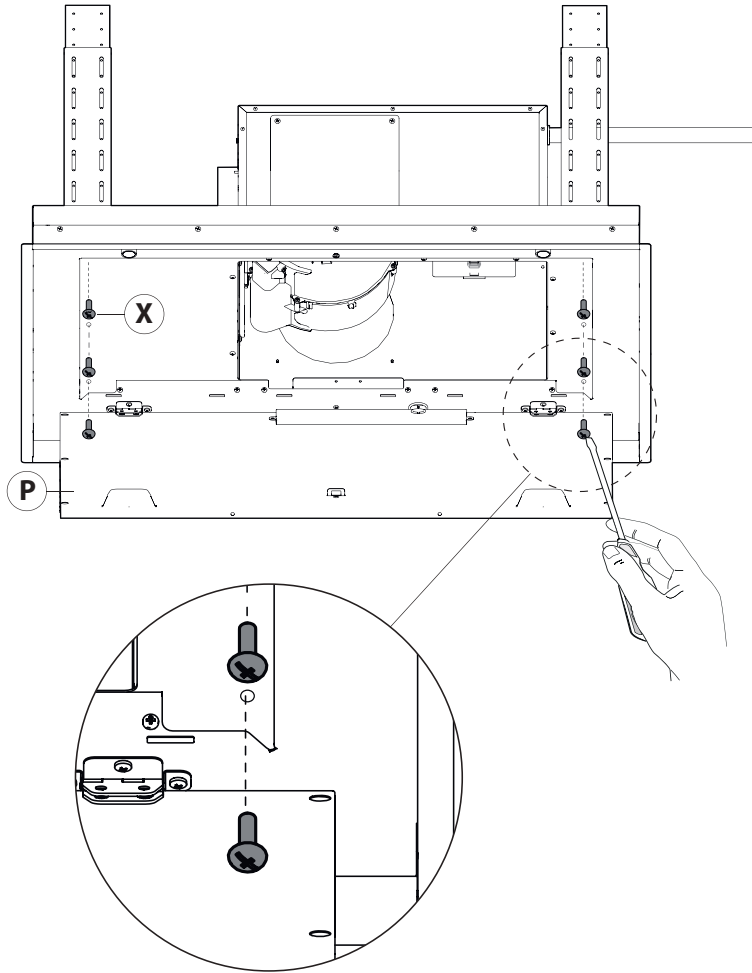
INSTALLATION



1. Establish the direction of the air outlet hole to prepare the electrical connection and air evacuation.



2. Fasten the telescopic brackets **A** and **B** to the joist with screws **D**. Adjust the brackets to the dimensions shown in **(Fig.1)**.



3. To install the hood open front panel **P**, fix the unit with the telescopic brackets using screws **X** and close panel **P** again.

- For the various installations, use screws and expansion plugs suitable for the type of wall (e.g. reinforced concrete, plasterboard, etc.). If screws and dowels are supplied with the product, make sure they are suitable for the type of wall in which the hood is to be fixed.

ELECTRICAL CONNECTION

1. Route the power cord to the junction box inside the hood.
2. Using listed conduit fittings and connectors, connect the power supply to the box and each line to the appropriate wire following this color convention:

BLACK = HOT LEG

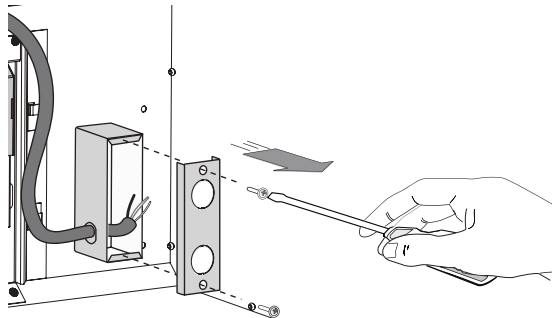
WHITE = NEUTRAL

GREEN/YELLOW = GROUND

Polarity must be observed.

Unit must be properly grounded.

Use a double throw disconnect switch.



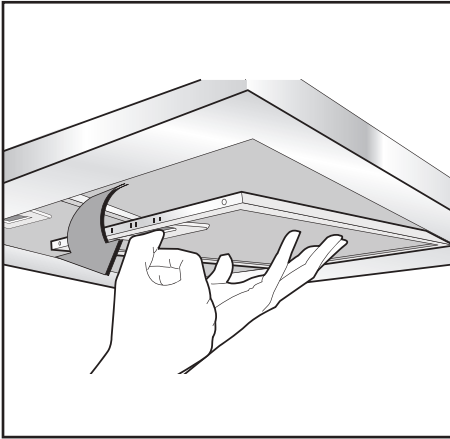
3. Replace the box cover
4. Replace the Anti-grease Filters.

All wiring must be in compliance with national electrical code, ANSI/NFPA 70-1999 and all local codes and regulations.

MAINTENANCE

Regular cleaning and maintenance is the key to long life and peak performance of any equipment.

• **The anti-grease filter** is used to trap any grease particles suspended in the air, therefore is subject to saturation (the time it takes for the filter to become saturated depends on the way in which the appliance is used). The **grease filters** should be cleaned frequently. Use a warm detergent solution. Grease filters are a dishwasher safe.



- To prevent potential fire hazards, the anti-grease filters should be washed a minimum of every 2 months (it is possible to use the dishwasher for this task).

- After a few washes, the colour of the filters may change. This does not mean they have to be replaced. If the replacement and washing instructions are not followed, the anti-grease filters may present a fire hazard.

CLEANING STAINLESS STEEL:

Do not use corrosive detergents, abrasive detergents or oven cleaners.

Do not use any product containing chlorine bleach or any product containing chloride.

Do not use steel wool or abrasive scrubbing pads which will scratch and damage surface.

Cleaning Stainless Steel Clean periodically with warm soapy water and clean cotton cloth or micro fiber cloth. Always rub in the direction of the stainless steel grain. To remove heavier grease build up use a liquid degreaser detergent. After cleaning use a non-abrasive stainless steel polish/cleaners, to polish and buff out the stainless luster and grain. Always rub lightly, with a clean cotton cloth or a micro fiber cloth and buff in the direction of the stainless steel grain.

Any painted surfaces should be cleaned with warm water and detergent only.

MAINTENANCE CONTINUED

FOR UNITS USED IN RECIRCULATION MODE ONLY:

This refers to hoods which are not ducted outside but rely instead on carbon filter elements to help purify the air before it is exhausted back into the room.

The carbon element filters gradually lose efficiency and cannot be cleaned or regenerated. These must be replaced at least 4 times a year, more frequently if needed based on the amount of use and style of cooking.

CHANGING THE CARBON FILTERS:

Changing the filters is easy.

To Reduce the Risk of Fire and Shock use only conversion Kit Model **XORFND**(ACK00059) Filters.

The **XORFND** filters are sold in pairs.

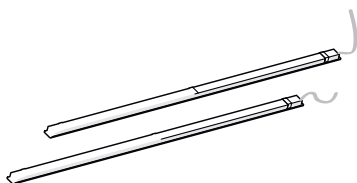
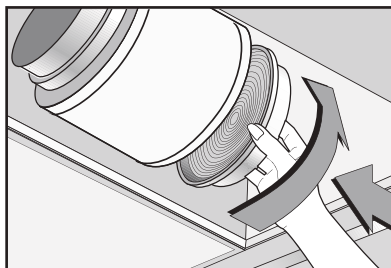
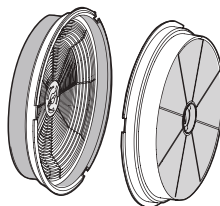
To replace the filters, unlatch and remove the Anti-Grease filters.

This will expose the blower.

One Carbon Filter attaches to each side of the blower.

Remove the old filter by rotating one quarter turn counter-clockwise and pull straight away from the blower.

To install the new filter simply align, push into place and rotate one quarter turn clockwise to lock.




LED LIGHT REPLACEMENT

To replace the LED bar a specialist technician is required

EASY TO OPERATE



Your XO range hood is controlled by these electronic push buttons which illuminate when activated.

BUTTON  : Controls the LED lights. There are three illumination levels. Press the button Once for HIGH; Twice for MEDIUM; Three times for LOW; Four times for OFF.

BUTTON 0: Turns both the Blower and Lights On and Off

BUTTON 1: Blower motor operates on **LOW** speed.

BUTTON 2: Blower motor operates on **MEDIUM** speed.

BUTTON 3: Blower motor operates on **HIGH** speed.

POWER BOOST

Press and Hold BUTTON 3 for 2 seconds.

This will increase airflow to a fourth and even higher speed for 10 minutes.

When activated the button will blink to alert you it is running.

After 10 minutes the blower speed will return to its last setting.

To manually stop the **POWER BOOST** before 10 minutes has elapsed:

Press **BUTTON 3** and it will revert to HIGH speed, or

Press **BUTTON 0** to shut the blower off completely

NOTE: The POWER BOOST function will operate even when the hood is off.

BUTTON T: Activates and Deactivates the **TIMER** Function

Pressing **BUTTON T** (whether the blower is off or running) will cause the motor to run at **LOW** speed for 5 minutes before shutting off the blower and lights automatically.

While the **TIMER** is activated, you can change speed or engage **POWER BOOST**, the hood will still shut off after 5 minutes.


To manually turn the unit off before 5 minutes has elapsed:

Press **BUTTON T** or **BUTTON 0**.

OPTIONAL REMOTE CONTROL (included)

The remote control must be synchronized prior to use.

To synchronize the remote control with the hood follow these simple steps:

1. Standing near the hood, while it is not running, press and hold **BUTTON**  on the hood for 4 seconds -the button should start to blink for 5 seconds.

2. When the button on the hood starts to blink, Press any button on the remote. The hood and remote are now synchronized.

3. If the synchronization fails for any reason, repeat steps 1 and 2.



XOREMOTE1

MAKE UP AIR CONVERSION


New!
Code Compliance Control



Some local codes limit the maximum exhaust airflow of range hoods to 400 CFM before a Make Up Air System is required.

The models **XOI22SC** and **XOI28SC** are supplied with 600 CFM capacity. The **CCC system** allows you to limit the hood from 600 CFM to 395 CFM.

To set up for 395 CFM Operation - follow the procedure below:

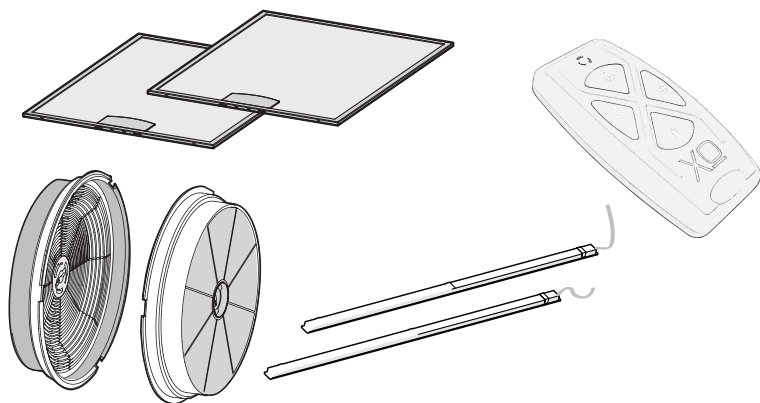
1. After the hood has been powered up initially, disconnect the power supply by shutting off the circuit breaker.
2. **VERY IMPORTANT**, after turning power back on to the unit, you must press and hold both the  and "0" buttons simultaneously within 5 seconds of re-powering the unit.



NOTE: If you do not press the buttons within the first 5 seconds after turning power back on to the hood - the CCC function will not engage and you must repeat from Step 1.

3. The control blinks 3 times
4. The hood is now configured at 395 CFM - the POWER BOOST function is also disabled.
5. Affix the sticker supplied to indicate the unit has been reconfigured to a maximum air flow of 395 CFM.
6. **Once reconfigured for 395 CFM, the unit cannot be reset to 600 CFM.**

ACCESS PARTS & ACCESSORIES



RECIRCULATION KITS
FILTERS
REPLACEMENT LIGHTS
REMOTE CONTROLS

ALL OF THESE PARTS AND MORE ARE AVAILABLE, SIMPLY VISIT WWW.XOAPPLIANCE.COM and click on PARTS STORE OR CALL US AT 973-403-8900

WE'VE GOT YOUR BACK

90 DAY LOVE IT or LEAVE IT. For 90 Days all our products are backed by our unique Love it or Leave it Guarantee. **TWO-YEAR PARTS & LABOR LIMITED WARRANTY.** XO warrants to the original purchaser of every new XO ventilation unit, the cabinet and all parts thereof, to be free from defects in material or workmanship under normal and proper use and maintenance as specified by XO and upon proper installation and start-up in accordance with the instruction packet supplied with each XO unit. XO's obligation under this warranty is limited to a period of two (2) years from the date of original purchase.

WARRANTY CLAIMS. All claims for labor or parts must be made directly through XO. All claims should include: model number and serial number of cabinet, proof of purchase, and date of installation. In case of warranted compressor, the compressor model tag must be returned to XO along with the above listed information.

WHAT IS NOT COVERED BY THIS WARRANTY. XO's sole obligation under this warranty is limited to either repair or replacement of parts, subject to the additional limitations below. This warranty neither assumes nor authorizes any person to assume obligations other than those expressly covered by this warranty. Open box, factory seconds, scratch and dent, floor models and commercial applications are excluded from these warranties.

WARRANTY IS NOT TRANSFERABLE. This warranty is not assignable and applies only in favor of the original purchaser/user at the original installation location. Any such assignment or transfer shall void the warranties herein made and shall void all warranties, express or implied, including any warranty or merchantability or fitness for a particular purpose.

IMPROPER USAGE. XO assumes no liability for parts or labor coverage for component failure or other damages resulting from improper usage or installation or failure to clean and/or maintain product as set forth in the warranty packet provided with the unit. **ALTERATION OR NEGLIGENCE.** XO is not responsible for the repair or replacement of any parts that XO determines have been subjected after the date of manufacture to alteration, neglect, abuse, misuse, accident, damage during transit or installation, fire, flood, or act of God.

IMPROPER ELECTRICAL CONNECTIONS. XO is not responsible for the repair or replacement of failed or damaged components resulting from electrical power failure, high or low voltage, use of extension cords, or improper grounding of the unit.

YOUR RIGHTS UNDER STATE LAW. This warranty gives you specific legal rights and you may have other rights that vary from state to state. Some states do not allow the exclusion or limitation of consequential damages or a limitation on how long an implied warranty lasts, so the above exclusion or limitation may not apply to you.

OUTSIDE U.S. This warranty does not apply to, and XO is not responsible for, any warranty claims made on products sold or used outside the 48 continental United States.

To obtain service:

Call 973-403-8900 | email service@xoappliance.com | or submit a request on our website www.xoappliance.com



**TOU
T
CE QUE
VOUS DEVEZ
SAVOIR
SUR VOTRE**

XO

XOCEILING MOUNT
MODÈLES XOCEILING36S, XOCEILING42S

J'ai travaillé très
dur sur ce manuel -
veuillez donc le lire...

XO

XO

VENTILATION

Lorsque vous achetez un appareil XO vous pouvez être sûr que vous avez choisi un produit de haute qualité, innovant et élégant d'une entreprise qui se soucie de vous !

Si vous avez besoin d'un service ou si vous avez des questions, il existe 2 façons de contacter nos experts en ventilation ;

En ligne @ <https://xoappliance.com/priority-service-for-your-xo-product/> Ou par téléphone 973-403-8900



FÉLICITATIONS

pour l'achat de votre XO.

Avant de continuer, prenez un instant pour enregistrer votre XO à l'adresse:

www.xoappliance.com/register-your-product/

Ou bien, il suffit de scanner ici pour être dirigé vers la page d'enregistrement...



L'INSCRIPTION VOUS AIDE EN -

Assurant la couverture de garantie si vous avez besoin d'un service. Vérifiant la propriété à des fins d'assurance XO vous avertit en cas de changement de produit ou de rappel.

OÙ SONT LES CHOSES

SE PRÉPARER

27 - 33

Sécurité et précautions
Planification des conduits
Exemples d'installation
Dimensions

L'INSTALLATION

34 - 39

Hauteur de montage
Installation
Connexions électriques

ENTRETIEN

40 - 41

Filtres
Nettoyage
Recirculation
Remplacement de la lumière

FONCTIONNEMENT

42 - 43

Commandes du bouton-poussoir
Conversion d'air d'appoint CCC

PIÈCES et GARANTIE

44 - 45

**DEVILLEZ LIRE ET SUIVRE
TOUTES LES CONSIGNES DE
SÉCURITÉ**

C'est pour
votre bien...
Honnêtement.

XO

LA SÉCURITÉ D'ABORD

■ INSTRUCTIONS DE SECURITE IMPORTANTES

■ POUR UN USAGE DOMESTIQUE EXCLUSIVEMENT

■ LIRE ET CONSERVER LES INSTRUCTIONS

■ COMMENCER PAR LIRE ENTIEREMENT LES INSTRUCTIONS.

■ **IMPORTANT:** Conserver les Instructions à usage des Inspecteurs Electriques Locaux.

■ **A L'ATTENTION DE L'INSTALLATEUR:** Laisser les Instructions dans l'unité à usage du propriétaire.

■ **A L'ATTENTION DU PROPRIETAIRE:** Conserver les Instructions pour des consultations ultérieures.

■ N'utiliser des produits de nettoyage ou des détergents qu'avec la plus grande prudence.

■ Cet appareil est propre à une utilisation domestique et culinaire.

■ **AVERTISSEMENT** – Afin de réduire les risques d'incendie ou d'électrocution, ne pas utiliser le moteur avec un Dispositif de Contrôle de la Vitesse à Semi-conducteurs quel qu'il soit.

■ **ATTENTION** – Afin de réduire les risques d'incendie et de permettre une aspiration correcte de l'air, s'assurer que celui-ci est bien transporté à l'extérieur à travers un conduit d'évacuation. – Ne pas évacuer l'air dans des interstices tels qu'entre des cloisons ou des plafonds, dans des greniers, des espaces confinés ou des garages.

■ **ATTENTION** – N'utiliser que pour une ventilation générique. Cet appareil n'est pas propre à l'aspiration de matières ou de vapeurs dangereuses ou explosives.

■ **ATTENTION** – Afin d'éviter des bruits et des dommages au niveau du moteur, et/ou un déséquilibre au niveau des hélices, veiller à ce que l'unité d'alimentation n'entre pas en contact avec du spray, de la poussière etc.

■ **ATTENTION** – Pour obtenir des compléments d'informations, consulter l'étiquette de spécification sur le produit.

■ **AVERTISSEMENT** – AFIN DE RÉDUIRE LES RISQUES D'INCENDIE, D'ÉLECTROCUTION OU DE DOMMAGES AUX PERSONNES, RESPECTER LES REGLES SUIVANTES:

A. N'utiliser l'unité que pour les opérations prévues par le fabricant. Pour toute question éventuelle, contacter le fabricant.

B. Avant d'effectuer des opérations de maintenance ou de nettoyage sur l'unité, débrancher le panneau de service et fermer à clef les commandes de déconnection

afin d'éviter toute mise sous tension accidentelle.

Au cas où les commandes de déconnexion ne pourraient être fermées à clef, fixer sur le panneau de service un message avertissant du danger, par exemple une plaque.

■ **AVERTISSEMENT – AFIN DE RÉDUIRE LES RISQUES D'INCENDIE PAR INFLAMMATION DES GRAISSES PRESENTES SUR LA GAZINIÈRE:**

- A. Ne jamais laisser de casseroles sur feu vif sans surveillance. D'éventuels débordements dus à une forte ébullition peuvent provoquer de la fumée et des dépôts de graisses susceptibles de prendre feu. Réchauffer l'huile lentement, à petit feu ou moyen.
- B. ALLUMER systématiquement la hotte pour cuisiner à des températures élevées.
- C. Nettoyer souvent le moteur. Eviter que les graisses ne s'accumulent sur le moteur ou sur le filtre.
- D. Utiliser des plats aux dimensions adaptées. Toujours utiliser des ustensiles de cuisine adaptés à la taille de la casserole qui se trouve sur la cuisinière.
- E. Veiller à ce que le moteur, les filtres et la surface où viennent s'accumuler les graisses restent propres.
- F. N'utiliser une flamme élevée que lorsque cela est nécessaire. Réchauffer l'huile lentement, à faible ou moyenne température.
- G. Ne jamais laisser la cuisinière sans surveillance pendant la cuisson.
- H. Utiliser systématiquement des ustensiles de cuisine adaptés au type et à la quantité d'aliments que l'on prépare.

■ **AVERTISSEMENT – AFIN DE RÉDUIRE LES RISQUES DE DOMMAGES AUX PERSONNES EN CAS D'INCENDIE PAR INFLAMMATION DES GRAISSES PRESENTES SUR LA CUISINIÈRE, RESPECTER LES REGLES SUIVANTESa:**

- A. ETOUFFER LA FLAMME à l'aide d'un couvercle hermétique, une plaque à four ou un plateau en métal et éteindre le brûleur. PROCEDER AVEC LA PLUS GRANDE PRUDENCE AFIN D'EVITER TOUTE BRULURE. Si les flammes ne s'éteignent pas immédiatement, EVACUER LA PIECE ET APPELER LES POMPIERS.
- B. NE JAMAIS TOUCHER UN PLAT EN FEU – on risque de se brûler.
- C. NE PAS UTILISER D'EAU, ni de chiffons ou de serviettes humides – cela pourrait provoquer une violente explosion de vapeur.
- D. Utiliser un extincteur UNIQUEMENT dans les cas suivants:
 - 1. On dispose d'un extincteur de Classe ABC que l'on sait faire fonctionner.
 - 2. L'incendie est peu important et il est confiné à la zone où il a éclaté.
 - 3. On a déjà appelé les pompiers.
 - 4. On peut affronter les flammes tout en ayant une issue de secours derrière soi.

aBasé sur les « mesures de sécurité incendie dans la cuisine » publiées par l'organisme NFPA.

Une bonne maintenance de la hotte garantit le parfait fonctionnement de l'unité.

■ INSTRUCTIONS D'INSTALLATION

AVERTISSEMENT – AFIN DE RÉDUIRE LES RISQUES D'INCENDIE, D'ÉLECTROCUTION OU DE DOMMAGES AUX PERSONNES, RESPECTER LES REGLES SUIVANTES:

- A. Les opérations d'installation et de branchement électrique doivent être effectuées par du personnel qualifié, conformément aux lois et aux normes en vigueur, y compris celles relatives aux appareils à feu.
- B. Il est nécessaire de disposer d'une quantité d'air suffisante pour une bonne combustion et aspiration des gaz à travers le conduit de fumée de l'installation de combustion du carburant, afin d'éviter un appel d'air de l'arrière. Suivre les indications du fabricant de l'installation de chauffage et les normes de sécurité correspondantes telles que celles émises par l'Association Nationale de Protection contre les Incendies (National Fire Protection Association - NFPA), la Société Américaine des Techniciens de Chauffage, Réfrigération et Climatisation de l'Air (American Society for Heating, Refrigeration and Air Conditioning Engineers - ASHRAE), et par les autorités locales préposées.
- C. Au cours des opérations de découpage ou de perforation du mur ou du plafond, veiller à ne pas endommager les câbles électriques ou d'autres canalisations cachées.
- D. L'appareil doit toujours être relié à un trou d'évacuation vers l'extérieur.
- E. L'unité doit être reliée à la terre.

■ **AVERTISSEMENT** – AFIN DE RÉDUIRE LES RISQUES D'INCENDIE, N'UTILISER QUE DES CONDUITS METALLIQUES

■ **AVERTISSEMENT** – LES APPAREILS ELECTROMENAGERS PEUVENT PARFOIS S'AVERER DANGEREUX.

- A. Ne pas contrôler les filtres lorsque la hotte est en état de marche.
- B. Ne pas toucher les lampes après une utilisation prolongée de l'appareil.
- C. Ne jamais faire flamber d'aliments sous la hotte.
- D. L'usage de flammes libres est dangereux pour les filtres et peut générer des incendies.
- E. Contrôler constamment les fritures pour éviter que des éclaboussures d'huile ne prennent feu.
- F. Avant d'effectuer toute opération de maintenance, débrancher la hotte du réseau d'alimentation électrique.

■ Le fabricant ne pourra être retenu responsable d'éventuels dommages causés par le non respect des instructions susmentionnées.

QUELQUES RÈGLES SIMPLES POUR PLANIFIER VOTRE CANALISATION

CETTE HOTTE EST CONÇUE POUR UTILISER UN CONDUIT ROND DE 6 PO - IL PEUT ÊTRE TRANSITIONNÉ EN UN CONDUIT RECTANGULAIRE 3-1/4 po X 10 po

NE JAMAIS RÉDUIRE LA TAILLE DU CONDUIT. LES CONDUITS SOUS-DIMENSIONNÉS RESTREIGNENT CONSIDÉRABLEMENT LE DÉBIT D'AIR ET NUISENT AUX PERFORMANCES.

(Exemple : la surface d'un conduit de 6 po est plus de DEUX fois supérieure à celle d'un conduit de 4 po)

GARDER LES CONDUITES AUSSI COURTES ET DROITES QUE POSSIBLE.

ÉVITEZ D'UTILISER DES CONDUITS MÉTALLIQUES FLEXIBLES SI LA LONGUEUR EST SUPÉRIEURE À 6 pi.

N'UTILISEZ JAMAIS DE CONDUITS EN PLASTIQUE.

UTILISER UN CONDUIT MÉTALLIQUE À ALÉSAGE LISSE.

MINIMISER LE NOMBRE DE RACCORDS (voir tableau).

LORSQUE VOUS DEVEZ UTILISER DES RACCORDS, ESSAYEZ DE LES SÉPARER AVEC DES SECTIONS DE 3 pi OU PLUS DE CONDUIT DROIT.

SUIVEZ TOUJOURS LES DIRECTIVES DU FABRICANT POUR L'ÉQUIPEMENT DE CUISSON QUE VOUS VENTILEZ.

SI DES AMORTISSEURS DE COMMANDE D'AIR SONT NÉCESSAIRES, POSITIONNEZ LE CAPTEUR DANS UN CONDUIT EN LIGNE DROITE IDÉALEMENT AVEC UN CONDUIT EN LIGNE DROITE DE 3 pi ENTRE CHAQUE CÔTÉ DU CAPTEUR ET UN RACCORD DE CONDUIT. N'OUBLIEZ PAS D'INCLURE LE CÂBLAGE D'ALIMENTATION ET DE COMMANDE DANS VOS PLANS.

RESPECTEZ TOUS LES CODES ET DÉCRETS LOCAUX DU BÂTIMENT.

UTILISEZ LA FEUILLE DE TRAVAIL QUI SUIT POUR VOUS AIDER À CALCULER LE **TOTAL DES PIEDS ÉQUIVALENTS** DE VOTRE CONDUIT.

LE TOTAL DES PIEDS ÉQUIVALENTS DOIT ÊTRE INFÉRIEUR À 100 pi.

ESTIMATION DES PIEDS ÉQUIVALENTS TOTAUX DANS UN CONDUIT













LE FAIT DE PROVOQUER UN CHANGEMENT DE DIRECTION DE L'AIR PROVOQUE DES TURBULENCES ET RESTREINT LE DÉBIT DANS UN SYSTÈME.
SI VOUS UTILISEZ UN CONDUIT MÉTALLIQUE FLEXIBLE - AUGMENTEZ TOUS LES MULTIPLICATEURS DE 50 % (12 DEVIENT 18 - ETC.)

CETTE FEUILLE DE CALCUL FACILE À UTILISER EST POUR 600 CFM OU MOINS.
SOUS « QTÉ UTILISÉE », ENTREZ LE MODE D'UTILISATION DE CHAQUE SECTION.
DANS LES DEUX PREMIÈRES LIGNES - ENTREZ LE NOMBRE DE PIEDS DE CHAQUE TYPE DE CONDUIT DROIT QUE VOUS UTILISEREZ (C.-À-D. POUR 20 PI, ENTREZ 20, POUR 30 PI, ENTREZ 30).

SAISISSEZ LE NOMBRE DE CHAQUE TYPE DE COURBE QUE VOUS UTILISEZ ET LE TYPE DE CAPUCHON D'EXTRÉMITÉ OF.

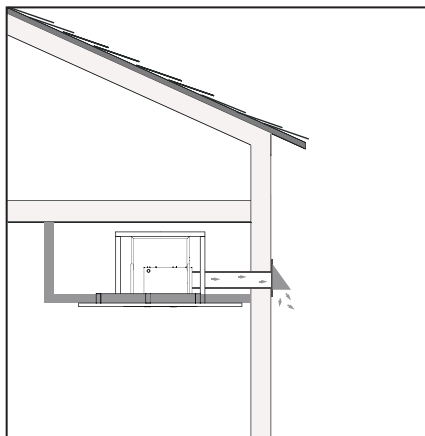
MULTIPLIEZ SUR CHAQUE LIGNE LE « MULTIPLICATEUR » X « QUANTITÉ UTILISÉE » POUR OBTENIR LES PIEDS ÉQUIVALENTS POUR CES COMPOSANTS.

AJOUTEZ TOUTES LES VALEURS DANS LA COLONNE « PIEDS ÉQUIVALENTS ».

PIÈCE DE CONDUIT	DESCRIPTION	MULTIPLICA-TEUR	QTÉ UTILISÉE	PIEDS ÉQUIVALENTS
	Conduit rond de 1 pi sur 6 po	1		
	1 pi de conduit rectangulaire 3 1/4 po x 10 po	1		
	Coude de 6 po à 90 degrés	12		
	Coude de 6 po à 45 degrés	7		
	3 1/4 po x 10 po à 90 degrés	14		
	3 1/4 po x 10 po à 45 degrés	8		
	3 1/4 po x 10 po côté 90 degrés	33		
	Rond 3 1/4 po x 10 po x 6 po	2		
	3 1/4 po x 10 po x 6 po à 90 degrés	4		
	Capuchon mural rond de 6 po avec amortisseur	24		
	Capuchon mural de 3 1/4 po x 10 po avec amortisseur	24		
	Capuchon de toit rond de 6 po	33		
LE TOTAL DES PIEDS ÉQUIVALENTS DOIT ÊTRE INFÉRIEUR À 100				

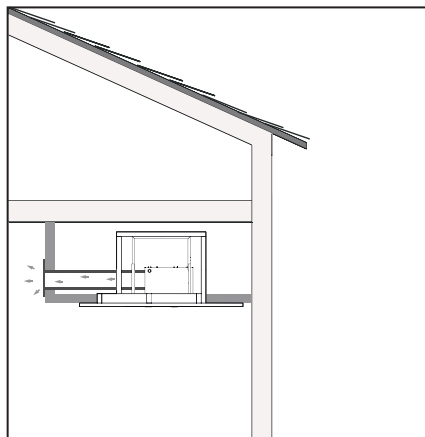
EXEMPLES D'INSTALLATION TYPIQUES

VENTILÉ



ÉVENT D'ÉCHAPPEMENT
MURAL

RECIRCULATION



ÉCHAPPEMENT GRILLE

L'ÉCHAPPEMENT DE
RECIRCULATION DOIT ÊTRE
RETOURNÉ DANS L'ESPACE

DIMENSIONS

› Devant de la hotte

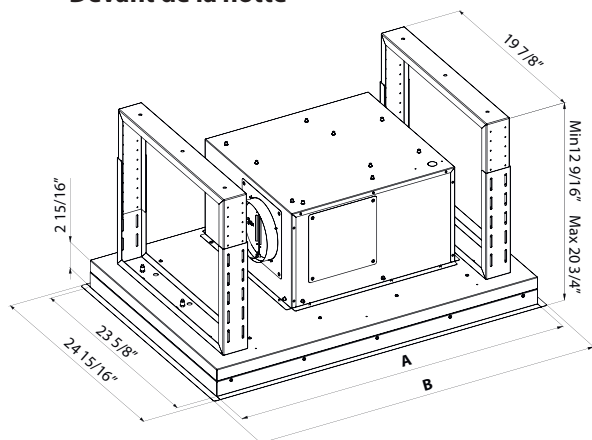
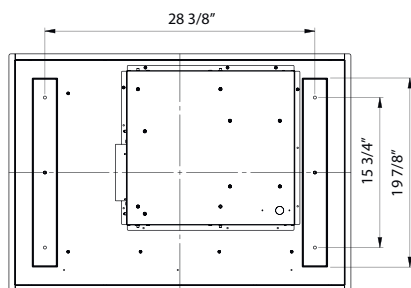


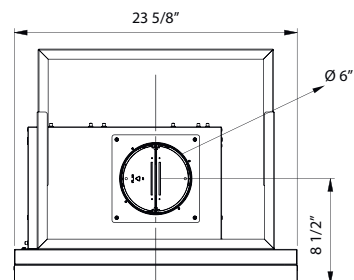
FIG.1

MODÈLE	A	B
XOCEILING36S	34 5/8"	35 7/8"
XOCEILING42S	40 5/8"	41 15/16"

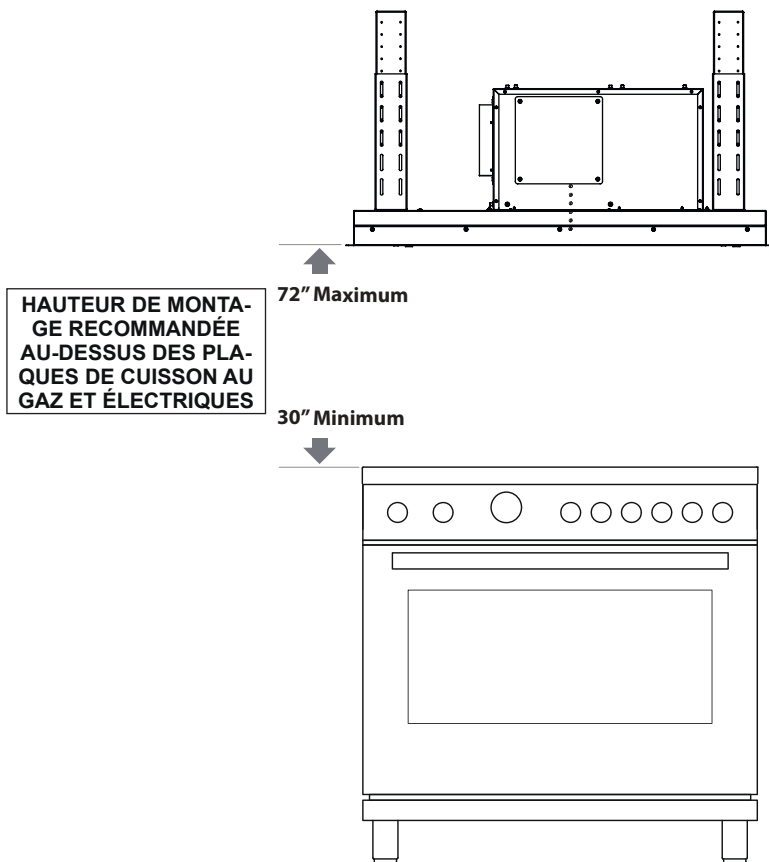
› Côté de la hotte



› Haut de la hotte



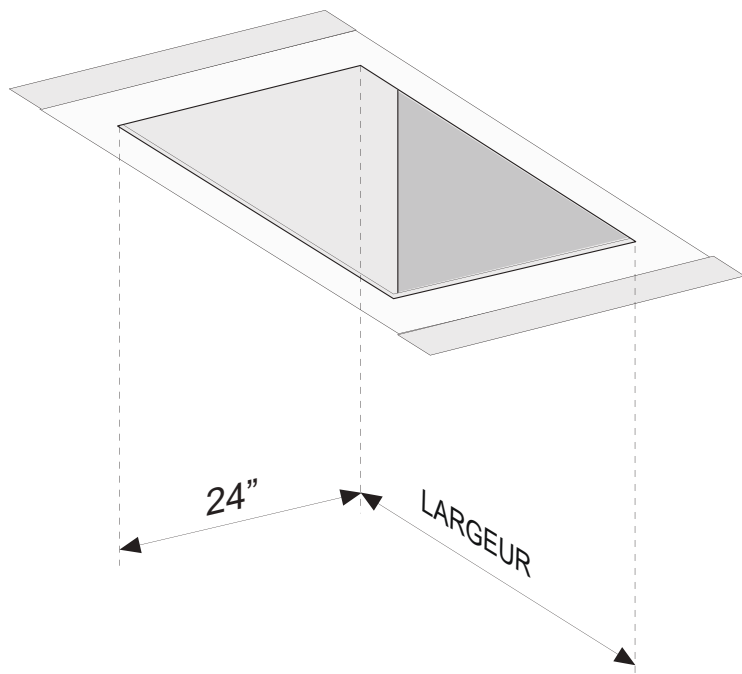
HAUTS ET BAS



Toutes les hottes de cuisinière ont une plage de hauteur d'installation recommandée sur la surface de cuisson.

Il est important d'installer la hotte à la bonne hauteur de montage. Les hottes montées trop bas peuvent entraîner des dommages causés par la chaleur et un risque d'incendie ; tandis que les hottes montées trop haut seront difficiles à atteindre et perdront leurs performances et leur efficacité.

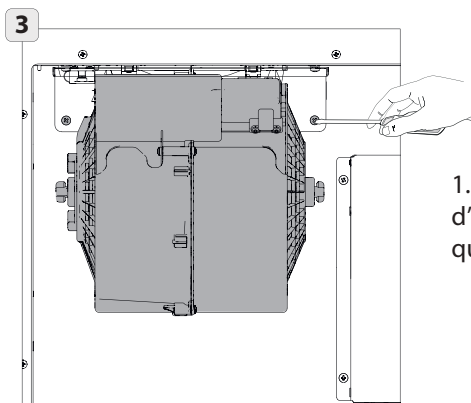
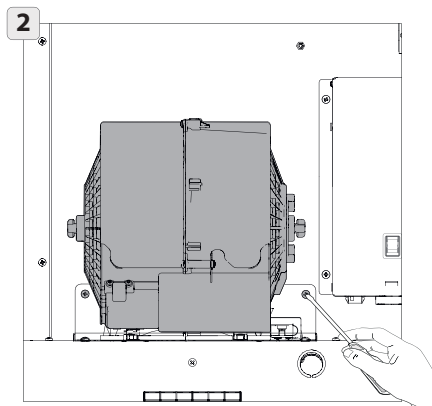
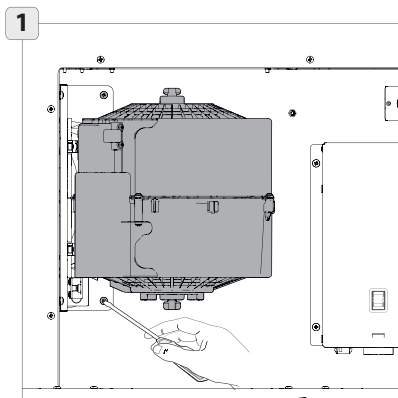
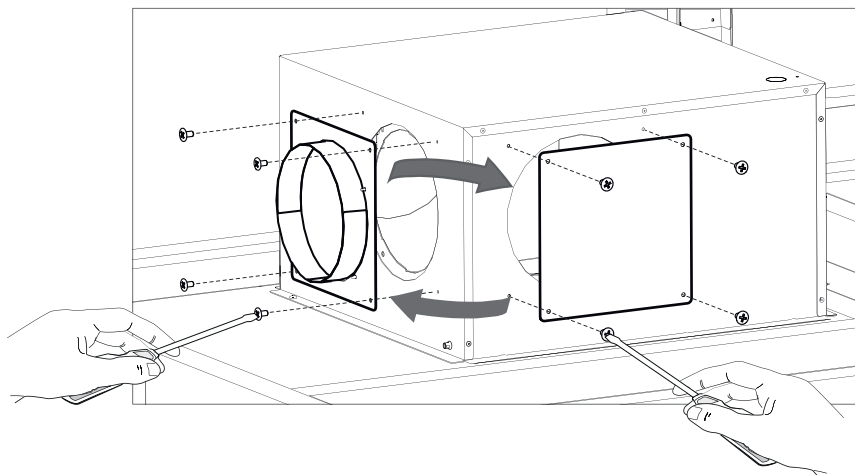
LA DÉCOUPE



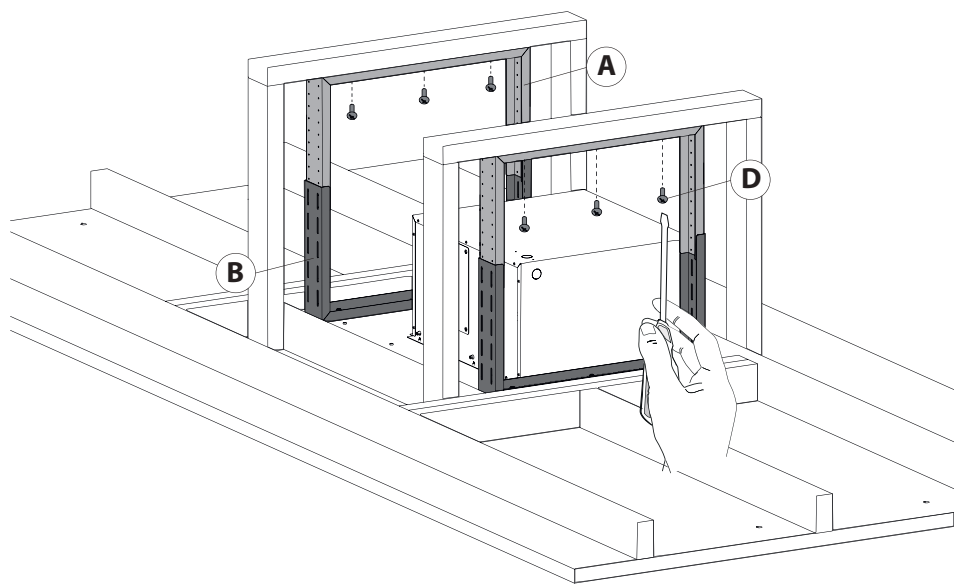
MODÈLE	LARGEUR
XOCEILING36S	34 7/8"
XOCEILING42S	40 7/8"

Pour installer la hotte dans un auvent ou une armoire personnalisée, reportez-vous aux dimensions de découpe ci-dessus pour votre modèle particulier. L'espace autour de l'unité doit être minimisé (~ 1/8 po) pour assurer un ajustement parfait.

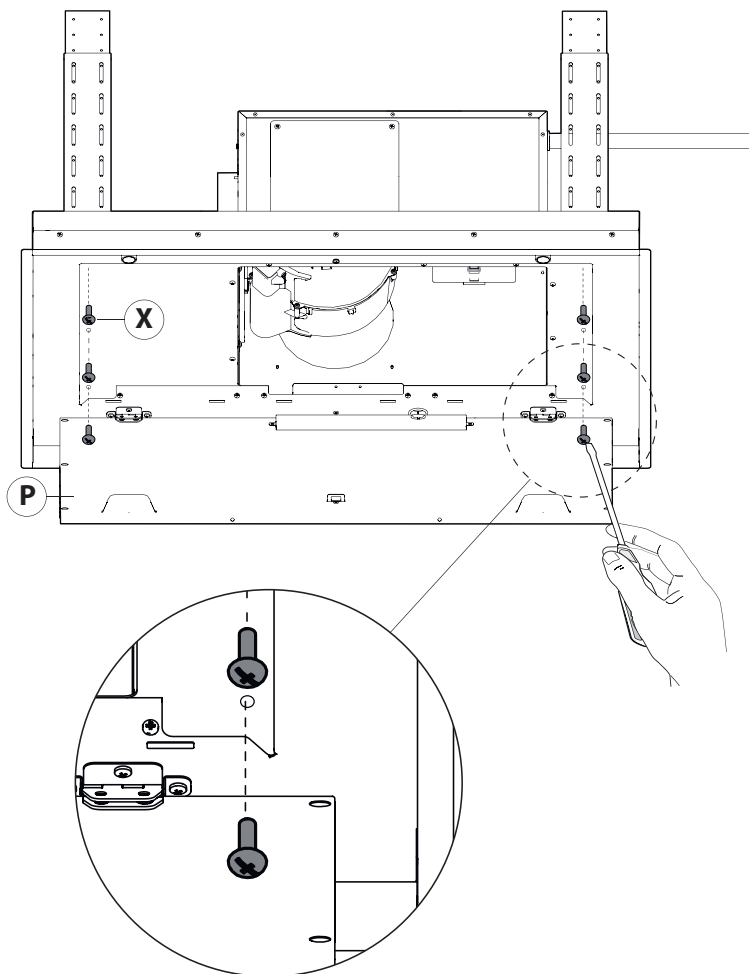
INSTALLATION



1. Déterminez la direction du trou de sortie d'air pour préparer le raccordement électrique et l'évacuation de l'air.



2. Fixez les supports télescopiques **A** et **B** à la solive à l'aide des vis **D**. Ajustez les supports aux dimensions indiquées sur la (**Fig.1**).



3. Pour installer le capot, ouvrez le panneau frontal **P**, fixez l'unité avec les supports télescopiques à l'aide des vis **X** et refermez le panneau **P**.

- Pour les différentes installations, utilisez des vis et des chevilles à expansion adaptées au type de mur (par exemple, béton armé, plaque de plâtre, etc.). Si des vis et des chevilles sont fournies avec le produit, assurez-vous qu'elles sont adaptées au type de mur dans lequel la hotte doit être fixée.

CONNEXION ÉLECTRIQUE

1. Acheminez le cordon d'alimentation vers la boîte de jonction à l'intérieur de la hotte.
2. À l'aide des raccords et connecteurs de conduit répertoriés, connectez l'alimentation à la boîte et chaque ligne au fil approprié en suivant cette convention de couleur :

NOIR = PIED CHAUD

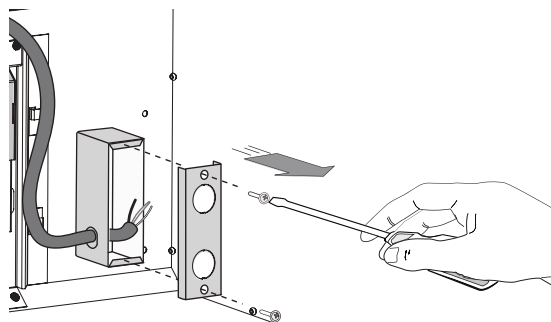
BLANC = NEUTRE

VERT/JAUNE = SOL

La polarité doit être observée.

L'unité doit être correctement mise à la terre.

Utilisez un interrupteur de déconnexion à double jet.



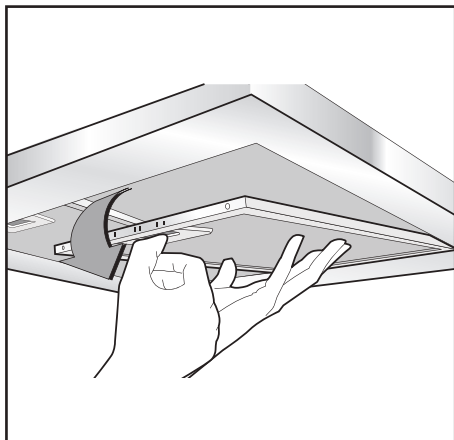
3. Remplacez le couvercle de la boîte
4. Remplacez les filtres anti-graisse.

Tout le câblage doit être conforme au code électrique national, ANSI/NFPA 70-1999 et à tous les codes et réglementations locaux.

MAINTENANCE

Le nettoyage et la maintenance réguliers sont la clé d'une longue durée de vie et des performances de pointe de tout équipement.

• Le **filtre anti-graisse** a pour rôle de retenir les particules grasses en suspension dans l'air. Il peut donc se boucher plus ou moins rapidement selon la fréquence d'utilisation de la hotte. Nettoyer fréquemment les filtres de la graisse à l'aide d'une solution détergente.



Les filtres de la graisse peuvent être lavés dans le lave-vaisselle.

- Pour prévenir tout risque d'incendie, il faut laver les filtres anti-graisse au moins tous les 2 mois, ces derniers sont lavables même au lave-vaisselle.

- Après plusieurs lavages, ils peuvent changer de couleur. Ceci ne donne pas droit à réclamation ni droit, par conséquent, à leur remplacement.

Le non-respect des consignes de remplacement et de lavage peut entraîner un risque d'incendie des filtres anti-graisse.

NETTOYAGE DE L'ACIER INOXYDABLE :

N'utilisez pas de détergents corrosifs, de détergents abrasifs ou de nettoyants pour fours.

N'utilisez aucun produit contenant de l'eau de Javel chlorée ou un produit contenant du chlorure.

N'utilisez pas de laine d'acier ou de tampons abrasifs qui risquent de rayer et d'endommager la surface.

Nettoyage de l'acier inoxydable Nettoyez régulièrement avec de l'eau chaude savonneuse et un chiffon en coton propre ou un chiffon en microfibres. Frottez toujours dans le sens du grain de l'acier inoxydable. Pour éliminer l'accumulation de graisse plus lourde, utilisez un détergent dégraissant liquide. Après le nettoyage, utilisez un produit de polissage/nettoyant pour acier inoxydable non abrasif pour polir et polir le lustre et le grain de l'acier inoxydable. Frottez toujours légèrement avec un chiffon en coton propre ou un chiffon en microfibres et polissez dans le sens du grain de l'acier inoxydable.

Toutes les surfaces peintes doivent être nettoyées avec de l'eau chaude et du détergent uniquement.

SUITE DE LA MAINTENANCE

POUR LES UNITÉS UTILISÉES EN MODE DE RECIRCULATION UNIQUEMENT :

Il s'agit de hottes qui ne sont pas canalisées à l'extérieur mais qui reposent plutôt sur des éléments filtrants en carbone pour aider à purifier l'air avant qu'il ne soit renvoyé dans la pièce.

Les filtres à éléments en carbone perdent progressivement en efficacité et ne peuvent pas être nettoyés ou régénérés. Ceux-ci doivent être remplacés au moins 4 fois par an, plus fréquemment si nécessaire en fonction de la quantité d'utilisation et du style de cuisson.

CHANGEMENT DES FILTRES À CARBONE :

Changer les filtres est facile.

Pour réduire le risque d'incendie et de choc, utilisez uniquement les filtres du modèle de kit de conversion **XORFND**(ACK00059).

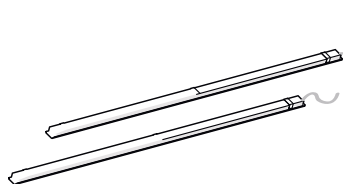
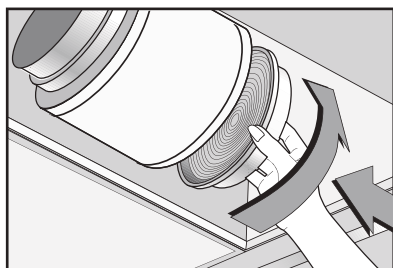
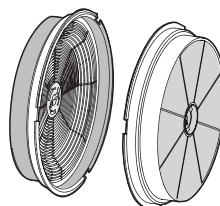
Les filtres **XORFND** sont vendus par paires.

Pour remplacer les filtres, déverrouillez et retirez les filtres à chicanes anti-graisse. Cela exposera le ventilateur.

Un filtre à carbone se fixe de chaque côté du ventilateur.

Retirez l'ancien filtre en le tournant d'un quart de tour dans le sens inverse des aiguilles d'une montre et retirez-le directement du ventilateur.

Pour installer le nouveau filtre, il suffit de l'aligner, poussez le en place et tournez d'un quart de tour dans le sens des aiguilles d'une montre pour le verrouiller.



REPLACEMENT DES LAMPES

Pour remplacer la barre de LED, un technicien spécialisé est nécessaire.

FACILE À UTILISER



Votre hotte XO est commandée par ces boutons-poussoirs électroniques qui s'allument lorsqu'ils sont activés.

BOUTON ☀ : Commande les lumières LED. Il y a trois niveaux d'éclairage.

Appuyez sur le bouton une fois pour FORT ; deux fois pour MOYEN ; trois fois pour FAIBLE ; quatre fois pour ÉTEINDRE.

BOUTON 0 : Allume et éteint le ventilateur et les lumières

BOUTON 1 : Le moteur du ventilateur fonctionne à **BASSE** vitesse.

BOUTON 2 : Le moteur du ventilateur fonctionne à vitesse **MOYENNE** .

BOUTON 3 : Le moteur du ventilateur fonctionne à **GRANDE** vitesse.

AUGMENTATION DE PUISSANCE

Appuyez et maintenez le BOUTON 3 enfoncé pendant 2 secondes.

Cela augmentera le débit d'air à une quatrième et même plus grande vitesse pendant 10 minutes.

Lorsqu'il est activé, le bouton clignote pour vous avertir qu'il est en marche.

Après 10 minutes, la vitesse du ventilateur reviendra à son dernier réglage.

Pour arrêter manuellement l'**AUGMENTATION DE PUISSANCE** avant que 10 minutes se soient écoulées :

Appuyez sur le **BOUTON 3** et il reviendra à GRANDE vitesse, ou

Appuyez sur le **BOUTON 0** pour éteindre complètement le ventilateur

REMARQUE : La fonction AUGMENTATION DE PUISSANCE fonctionnera même lorsque la hotte est éteinte.

BOUTON T : Active et désactive la fonction **MINUTERIE**

En appuyant sur le **BOUTON T** (que le ventilateur soit éteint ou en marche), le moteur fonctionnera à **BASSE** vitesse pendant 5 minutes avant d'éteindre automatiquement le ventilateur et les lumières.

Lorsque la **MINUTERIE** est activée, vous pouvez changer de vitesse ou activer l'**AUGMENTATION DE PUISSANCE**, la hotte s'éteindra toujours après 5 minutes.

Pour éteindre manuellement l'appareil avant que 5 minutes ne se soient écoulées :

Appuyez sur le **BOUTON T** ou sur le **BOUTON 0**.

TÉLÉCOMMANDE (Fournie)

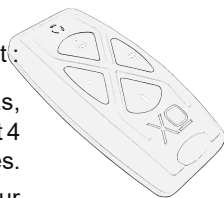
La télécommande doit être synchronisée avant utilisation.

Pour synchroniser la télécommande avec la hotte, procédez comme suit:

1. En vous tenant près de la hotte, alors qu'elle ne fonctionne pas, appuyez sur le BOUTON ☀ de la hotte et maintenez-le enfoncé pendant 4 secondes - le bouton devrait commencer à clignoter pendant 5 secondes.

2. Lorsque le bouton de la hotte commence à clignoter, appuyez sur n'importe quel bouton de la télécommande. La hotte et la télécommande sont maintenant synchronisées.

3. Si la synchronisation échoue pour une raison quelconque, répétez les étapes 1 et 2.



XOVREMOTE1

CONVERSION D'AIR D'APPOINT

Nouveau !


Code Compliance Control



Certains codes locaux limitent le débit d'air d'échappement maximal des hottes de cuisinière à 400 CFM avant qu'un système d'air d'appoint ne soit requis.

Les modèles **XOI22SC** et **XOI28SC** sont fournis avec une capacité de 600 CFM. Le **système CCC** vous permet de limiter la hotte de 600 CFM à 395 CFM.

Pour configurer le fonctionnement 395 CFM - suivez la procédure ci-dessous :

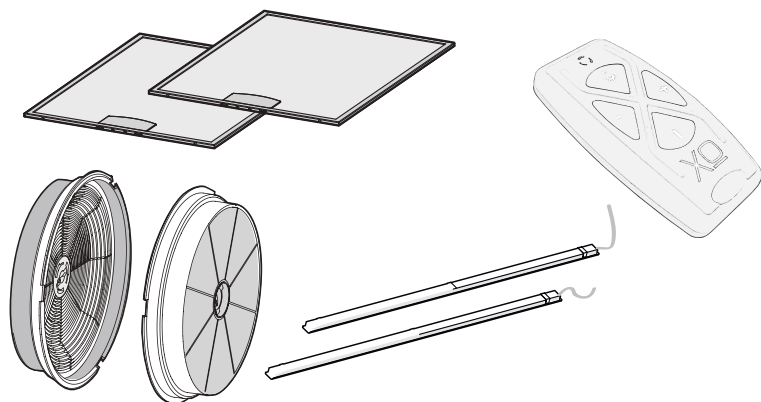
1. Après la mise sous tension initiale de la hotte, débranchez l'alimentation en coupant le disjoncteur.
2. **TRÈS IMPORTANT**, après avoir rallumé l'appareil, vous devez appuyer et maintenir les boutons  et « 0 » simultanément dans les 5 secondes suivant la remise sous tension de l'appareil.



REMARQUE : Si vous n'appuyez pas sur les boutons dans les 5 premières secondes après avoir rallumé la hotte - la fonction CCC ne s'enclenchera pas et vous devez répéter l'étape 1.

3. La commande clignote 3 fois
4. La hotte est maintenant configurée à 395 CFM - la fonction AUGMENTATION DE PUISSANCE est également désactivée.
5. Collez l'autocollant fourni pour indiquer que l'unité a été reconfigurée à un débit d'air maximal de 395 CFM.
6. **Une fois reconfigurée pour 395 CFM, l'unité ne peut pas être remise à 600 CFM.**

ACCESSOIRES ET PIÈCES D'ACCÈS



KITS DE RECIRCULATION
FILTRES
LUMIÈRES DE REMPLACEMENT
TÉLÉCOMMANDES

**TOUTES CES PIÈCES ET PLUS SONT DISPONIBLES, VISITEZ
SIMPLEMENT WW.XOAPPLIANCE.COM et cliquez sur LE
MAGASIN DE PIÈCES OU APPELEZ-NOUS AU 973-403-8900**

ON COUVRE VOS ARRIÈRES

GARANTIE DE REMBOURSEMENT 90 JOURS. Pendant 90 jours, tous nos produits sont soutenus par notre garantie unique Love it or Leave it.

GARANTIE LIMITÉE DE DEUX ANS SUR LES PIÈCES et LA MAIN-D' ŒUVRE. XO garantit à l'acheteur initial de chaque nouvelle unité de ventilation XO, de l'armoire et de toutes les parties de celle-ci, d'être exempt de défauts de matériau ou de fabrication dans le cadre d'une utilisation et d'un entretien normaux et appropriés comme spécifié par XO et lors d'une installation et d'un démarrage appropriés conformément au paquet d'instructions fourni avec chaque unité XO. L'obligation de XO en vertu de cette garantie est limitée à une période de deux (2) ans à compter de la date d'achat initiale.

RÉCLAMATIONS DE GARANTIE. Toutes les demandes de main-d' œuvre ou de pièces doivent être faites directement par l'intermédiaire de XO. Toutes les réclamations doivent inclure : le numéro de modèle et le numéro de série de l'armoire, la preuve d'achat et la date d'installation. Dans le cas d'un compresseur garanti, l'étiquette du modèle de compresseur doit être retournée à XO avec les informations énumérées ci-dessus.

CE QUI N'EST PAS COUVERT PAR CETTE GARANTIE. La seule obligation de XO en vertu de cette garantie est limitée à la réparation ou au remplacement des pièces, sous réserve des limitations supplémentaires ci-dessous. Cette garantie n'assume ni n'autorise quiconque à assumer des obligations autres que celles expressément couvertes par la présente garantie. Les boîtes ouvertes, les défauts d'usine, les rayures et bosselures, les modèles de plancher et les applications commerciales sont exclus de ces garanties.

LA GARANTIE N'EST PAS TRANSFÉRABLE. Cette garantie n'est pas cessible et ne s'applique qu'en faveur de l'acheteur/utilisateur d'origine sur le site d'installation d'origine. Une telle cession ou un tel transfert annulera les garanties faites dans les présentes et annulera toutes les garanties, expresses ou implicites, y compris toute garantie ou qualité marchande ou adéquation à un usage particulier.

MAUVAISE UTILISATION. XO n'assume aucune responsabilité pour les pièces ou la main-d' œuvre en cas de défaillance des composants ou d'autres dommages résultant d'une utilisation ou d'une installation incorrecte ou d'un défaut de nettoyage et/ou d'entretien du produit comme indiqué dans le paquet de garantie fourni avec l'unité.

MODIFICATION OU NÉGLIGENCE. XO n'est pas responsable de la réparation ou du remplacement des pièces qui, selon XO, ont été soumises après la date de fabrication à une altération, une négligence, un abus, une mauvaise utilisation, un accident, des dommages pendant le transport ou l'installation, un incendie, une inondation ou un cas de force majeure.

MAUVAISES CONNEXIONS ÉLECTRIQUES. XO n'est pas responsable de la réparation ou du remplacement des composants défectueux ou endommagés résultant d'une panne d'alimentation électrique, d'une tension élevée ou basse, de l'utilisation de rallonges ou d'une mise à la terre incorrecte de l'appareil.

VOS DROITS EN VERTU DE LA LOI DE L'ÉTAT. Cette garantie vous donne des droits légaux spécifiques et vous pouvez avoir d'autres droits qui varient d'un État à l'autre. Certains États n'autorisent pas l'exclusion ou la limitation des dommages indirects ou une limitation de la durée d'une garantie implicite, de sorte que l'exclusion ou la limitation ci-dessus peut ne pas s'appliquer à vous.

EN dehors des États-Unis Cette garantie ne s'applique pas et XO n'est pas responsable des réclamations de garantie faites sur les produits vendus ou utilisés en dehors des 48 États-Unis continentaux.

Pour obtenir de l'entretien :

Appelez le 973-403-8900 | envoyez un courriel à service@xoappliance.com | ou envoyez une demande sur notre site Web www.xoappliance.com



**T O D O
L O Q U E
N E C E S I T A S
S A B E R
S O B R E T U**



XOCEILING MOUNT
MODELOS XOCEILING36S, XOCEILING42S

He trabajado mucho
en este manual - así
que léalo...

XO

XO

VENTILATION

Al comprar cualquier aparato XO puede estar seguro de que ha elegido un producto de alta calidad, innovador y elegante de una empresa que se preocupa por ti!

Si necesita servicio o tiene preguntas, hay 2 maneras de comunicarse con nuestros expertos en ventilación;

En línea @ <https://xoappliance.com/priority-service-for-your-xo-product/> Or por teléfono 973-403-8900



ENHORABUENA

por la compra de su XO.

Antes de continuar, tómese un momento para registrar su XO en:

www.xoappliance.com/register-your-product/

O simplemente escanee aquí para ser llevado a la página de registro...



EL REGISTRO LE AYUDA PARA -

Garantizar la cobertura de la garantía en caso de que necesite servicio. Suministrar la verificación de la propiedad para fines de seguros. Permita que XO le notifique en caso de cambios o retiros de productos.

DONDE ESTÁN LAS COSAS

PREPARÁNDOSE

49 - 55

Seguridad y Precauciones
Planificación de Ductos
Ejemplos de instalación
Dimensiones

LA INSTALACIÓN

56 - 61

Altura de Montaje
Instalación
Conexiones eléctricas

MANTENIMIENTO

62 - 63

Filtros
Limpieza
Recirculación
Sustitución de la Luz

FUNCIONAMIENTO

64 - 65

Controles del Botón Pulsador
Conversión de Aire de Reposición CCC

PIEZAS y GARANTÍA

66 - 67

**POR FAVOR LEA Y SIGA TODAS
LAS INSTRUCCIONES DE SEGURIDAD**

Es por su
propio bien...
Honesto.

XO

SEGURIDAD PRIMERO

■ INSTRUCCIONES IMPORTANTES DE SEGURIDAD

■ RELATIVAS SOLO AL USO DOMESTICO

■ **LEA LAS INSTRUCCIONES COMPLETAMENTE ANTES DE PROCEDER.**

■ **IMPORTANTE:** Guarde las Instrucciones de uso de los Inspectores Eléctricos Locales.

■ **PARA EL INSTALADOR:** Deje las Instrucciones en la unidad de uso del propietario.

■ **PARA EL PROPIETARIO:** Guarde las instrucciones para consultas futuras.

Preste máxima atención durante el uso de productos de limpieza o detergentes.

Aparato adaptado para uso doméstico y culinario.

■ **ADVERTENCIA** – Para reducir el riesgo de incendio o de sacudida eléctrica, no use el motor junto con ningún Dispositivo de Control de Velocidad con Semiconductores.

■ **ATENCION** – Para reducir el riesgo de incendio y aspirar correctamente el aire, asegúrese que esta última sea transportada al externo a través de un conducto de evacuación. – No descargue el aire en paredes dobles entre paredes o techos o en desvanes, espacios angostos o garajes.

■ **ATENCION** – Usar sólo para una ventilación general. No es adaptado para aspirar materiales o vapores peligrosos o explosivos.

■ **ATENCION** – Para evitar daños al motor y ruidos, y/o hélices desbalanceadas, evite que la unidad de alimentación llegue a contacto con esprays, polvo, etc.

■ **ATENCION** – Para ulterior información y pedidos, lea la etiqueta de especificación del producto.

■ **ADVERTENCIA** – PARA REDUCIR EL RIESGO DE INCENDIO, SACUDIDA ELECTRICA O SDAÑOS A PERSONAS, SIGA LAS SIGUIENTES PAUTAS:

A. Use la unidad sólo para finalidades previstas por el fabricante. Para eventuales preguntas, contacte el fabricante.

B. Antes de efectuar operaciones de mantención o limpieza a la unidad, desconecte la corriente del panel de servicio y cierre con llave los comandos de desconexión para evitar que se encienda accidentalmente la corriente de alimentación.

Si los comandos de desconexión no pueden ser cerrados con llave, fije firmemente un aviso de peligro que sea evidente al panel de servicio, como una placa por ejemplo.

■ **ADVERTENCIA** – **PARA REDUCIR EL RIESGO QUE LA GRASA DE LA SUPERFICIE DEL HORNO SE INCENDIE:**

A. Nunca deje ollas en la superficie del horno en posición alta sin supervisión. Eventuales desbordamientos por el hervor pueden causar humo y rebalses de grasa que pue

- den encenderse. Caliente el aceite lentamente en posición baja o media.
- B.** ENCIENDA siempre la campana cuando cocine a temperaturas elevadas.
 - C.** Encienda frecuentemente el motor. Evite que la grasa se acumule en el motor o en el filtro.
 - D.** Use cazuelas de dimensiones adaptas. Siempre utilice utensilios de cocina idóneos a la dimensión de la olla que se encuentra sobre la superficie del horno.
 - E.** Mantenga limpio el motor, los filtros y la superficie donde se acumula la grasa.
 - F.** Use el horno en posición alta sólo cuando sea necesario. Caliente el aceite lentamente en posición baja o media.
 - G.** No deje nunca el horno sin supervisión durante la cocción.
 - H.** Use siempre utensilios y herramientas de cocina adaptos al tipo y a la cantidad de comida que esté preparando.

■ **ADVERTENCIA** – PARA REDUCIR EL RIESGO DE DAÑOS A PERSONAS EN CASO QUE SE ENCIENDA LA GRASA DE LA SUPERFICIE DEL HORNO, SIGA LAS SIGUIENTES PAUTAS:

- A.** SOFOQUE LAS LLAMAS con una tapa hermética, una losa de horno o una bandeja metálica y luego apague el quemador. PRESTE MUCHA ATENCION DURANTE ESTA OPERACION PARA EVITAR QUEMADURAS. Si las llamas no se extinguen inmediatamente, EVACUE EL LUGAR Y LLAME A LOS BOMBEROS.
- B.** NO TOQUE NUNCA UNA CAZUELA HIRVIENTE – se puede quemar.
- C.** NO USE AGUA, inclusive estropajos o toallas húmedas – se produciría una violenta explosión de vapor.
- D.** Use un extinguidor SOLO en caso que:
 - 1.** Se tenga un extinguidor de Clase ABC y sepa utilizarlo.
 - 2.** Sea un incendio de dimensiones pequeñas y contenido en el área en la cual ha estallado.
 - 3.** Ya hayan sido llamados los bomberos.
 - 4.** Se puedan afrontar las llamas con la espalda dirigida hacia una salida.

aBasado en las “medidas sobre seguridad antiincendio en la cocina” publicadas por el NFPA.

Una correcta mantención de la campana garantiza un funcionamiento perfecto de la unidad.

■ **INSTRUCCIONES PARA LA INSTALACION**

- **ADVERTENCIA** – PARA REDUCIR EL RIESGO DE INCENDIO, SACUDIDA ELECTRICA O DAÑOS A PERSONAS, SIGA LAS SIGUIENTES PAUTAS:
- A.** Las operaciones de instalación y conexión eléctrica deben ser efectuadas por personal calificado, conforme con las leyes y normativas en vigor, incluyendo las de aparatos de fuego.
 - B.** Es necesario tener una cantidad de aire suficiente para obtener una combustión

y aspiración del gas correcta a través del humero de la planta de combustión del carburante, para evitar un tiro del del aire en la parte posterior. Segue las indicaciones del fabricante de la planta de calefacción y las relativas normas de seguridad, como las emitidas por la Asociación Nacional de Protección contra Incendios (National Fire Protection Association - NFPA), por la Sociedad Americana de Técnicos de Calefacción, Refrigeración y Aire Acondicionado (American Society for Heating, Refrigeration and Air Conditioning Engineers - ASHRAE) y por las autoridades de códigos locales.

- C. Cuando corte o taladre en la pared o el techo, no dañe el cableado eléctrico ni otras utilidades escondidas.
- D. El aparato debe estar siempre conectado a un agujero de evacuación hacia el exterior.
- E. La unidad debe ser conectada al suelo.

■ **ADVERTENCIA** – PARA REDUCIR EL RIESGO DE INCENDIO, USE SOLO TUBERIAS METALICAS.

■ **ADVERTENCIA** – EN CIERTOS CASOS LOS ELECTRODOMESTICOS PUEDEN REVELARSE PELIGROSOS.

- A. No controle los filtros mientras la campana se encuentre en función.
 - B. No toque las luces después de un uso prolongado del aparato.
 - C. Nunca flamee un alimento bajo la campana.
 - D. El uso de llamas libres es peligroso para los filtros y puede generar incendios.
 - E. Controle constantemente los alimentos fritos para evitar que los chorros del aceite de la fritura puedan incendiarse.
 - F. Antes de efectuar cualquier operación de mantención, desconecte la campana de la red eléctrica.
- El fabricante no será responsable por eventuales daños causados por la falta de observación de las instrucciones citadas arriba.

UNAS SENCILLAS REGLAS PARA PLANIFICAR SU RED DE CONDUCTOS

ESTA CAMPANA ESTÁ DISEÑADA PARA USAR UN CONDUCTO REDONDO DE 6"- SE PUEDE HACER LA TRANSICIÓN A UN CONDUCTO RECTANGULAR DE 3-1/4" X 10"

NUNCA REDUZCA EL TAMAÑO DEL CONDUCTO. LOS CONDUCTOS DE MENOR TAMAÑO RESTRINGEN GRAVEMENTE EL FLUJO DE AIRE Y DAÑAN EL RENDIMIENTO.

(Ejemplo: el área de un conducto de 6" es más del DOBLE de la de un conducto de 4")

MANTENGA LOS CONDUCTOS FUNCIONANDO TAN CORTOS Y RECTOS COMO SEA POSIBLE.

EVITE EL USO DE CONDUCTOS METÁLICOS FLEXIBLES SI EL RECORRIDO ES SUPERIOR A 6'.

NUNCA UTILICE CONDUCTOS DE PLÁSTICO.

UTILICE CONDUCTOS METÁLICOS DE ORIFICIO LISO.

MINIMICE EL NÚMERO DE ACCESORIOS (consulte la tabla).

CUANDO DEBA USAR ACCESORIOS, INTENTE SEPARARLOS CON SECCIONES DE 3' O MÁS DE CONDUCTO RECTO.

SIGA SIEMPRE LAS DIRECTRICES DEL FABRICANTE PARA EL EQUIPO DE COCINA QUE ESTÁ VENTILANDO.

SI SE REQUIEREN AMORTIGUADORES DE CONTROL DE REPOSICIÓN DE AIRE, COLOQUE EL SENSOR EN UN RECORRIDO RECTO DEL CONDUCTO IDEALMENTE CON 3' DE CONDUCTO RECTO ENTRE CADA LADO DEL SENSOR Y UN ACCESORIO DE CONDUCTO. RECUERDE INCLUIR CABLEADO DE ALIMENTACIÓN Y CONTROL PARA ESTO EN SUS PLANES.

CUMPLA CON TODOS LOS CÓDIGOS DE CONSTRUCCIÓN Y ORDENANZAS LOCALES.

UTILICE LA HOJA DE CÁLCULO QUE SIGUE PARA AYUDAR A CALCULAR EL TOTAL **TOTAL DE LOS PIES EQUIVALENTES** DEL SU RECORRIDO DEL CONDUCTO.

LOS PIES EQUIVALENTES TOTALES DEBEN SER INFERIORES A 100'.

ESTIMACIÓN DE PIES EQUIVALENTES TOTALES EN UN CONDUCTO

CAUSAR QUE EL AIRE CAMBIE DE DIRECCIÓN CAUSA TURBULENCIA Y RESTRINGE EL FLUJO EN UN SISTEMA.





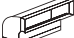







SI UTILIZA UN CONDUCTO DE METAL FLEXIBLE, AUMENTE TODOS LOS MULTIPLICADORES EN UN 50% (12 SE CONVIERTE EN 18 - ETC.)

ESTA HOJA DE TRABAJO FÁCIL DE USAR ES PARA 600 CFM O MENOS.

EN "CANTIDAD UTILIZADA", INTRODUZCA CÓMO DE CADA SECCIÓN QUE UTILIZARÁ. EN LAS DOS PRIMERAS FILAS, INGRESE CUÁNTOS PIES DE CADA TIPO DE CONDUCTO RECTO USARÁ (ES DECIR, PARA 20 PIES INGRESE 20, PARA 30' INGRESE 30). INTRODUZCA EL NÚMERO DE CADA TIPO DE GIRO QUE ESTÁ UTILIZANDO Y EL TIPO DE TAPA DE EXTREMO.

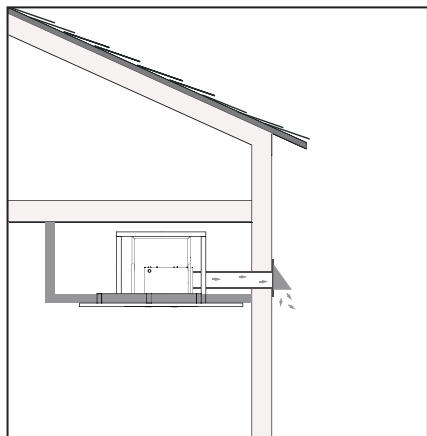
MULTIPLIQUE A LO LARGO DE CADA FILA EL "MULTIPLICADOR" x "CANTIDAD UTILIZADA" PARA OBTENER LOS PIES EQUIVALENTES PARA ESOS COMPONENTES.

SUME TODOS LOS VALORES EN LA COLUMNA "PIES EQUIVALENTES".

PIEZA DE CONDUCTO	DESCRIPCION	MULTIPLICADOR	CANTIDAD UTILIZADA	PIES EQUIVALENTES
	Conducto redondo de 1' de 6"	1		
	1' de 3 1/4" x 10" Rect. Conducto	1		
	Codo de 6" y 90 grados	12		
	Codo de 6" y 45 grados	7		
	3 1/4" x 10" 90 grados	14		
	3 1/4" x 10" 45 grados	8		
	3 1/4" x 10" Lado 90 Grados	33		
	3 1/4" x 10" x 6" Redondo	2		
	3 1/4" x 10" x 6" 90 grados	4		
	Tapa redonda de pared de 6" con amortiguador	24		
	Tapa de pared de 3 1/4" x 10" con amortiguador	24		
	Tapa redonda de techo redonda de 6"	33		
LOS PIES EQUIVALENTES TOTALES DEBEN SER INFERIORES A 100				

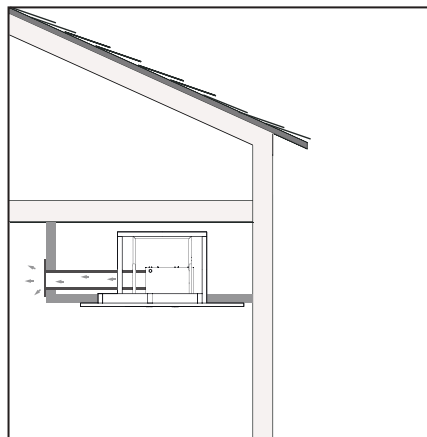
EJEMPLOS TÍPICOS DE INSTALACIÓN

VENTILADO



ESCAPE DE PARED

RECIRCULACIÓN



ESCAPE DE REJILLA

EL ESCAPE DE RECIRCULACIÓN DEBE SER DEVUELTO AL ESPACIO

DIMENSIONES

› Parte delantera de la campana

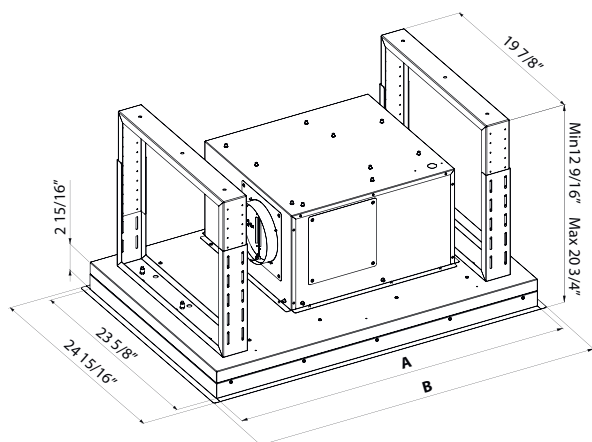
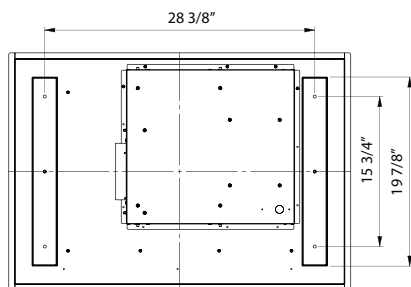


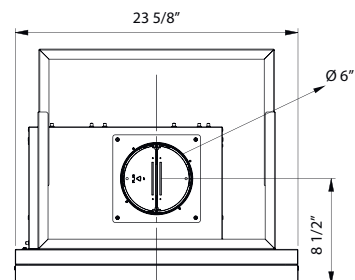
FIG.1

MODELO	A	B
XOCEILING36S	34 5/8"	35 7/8"
XOCEILING42S	40 5/8"	41 15/16"

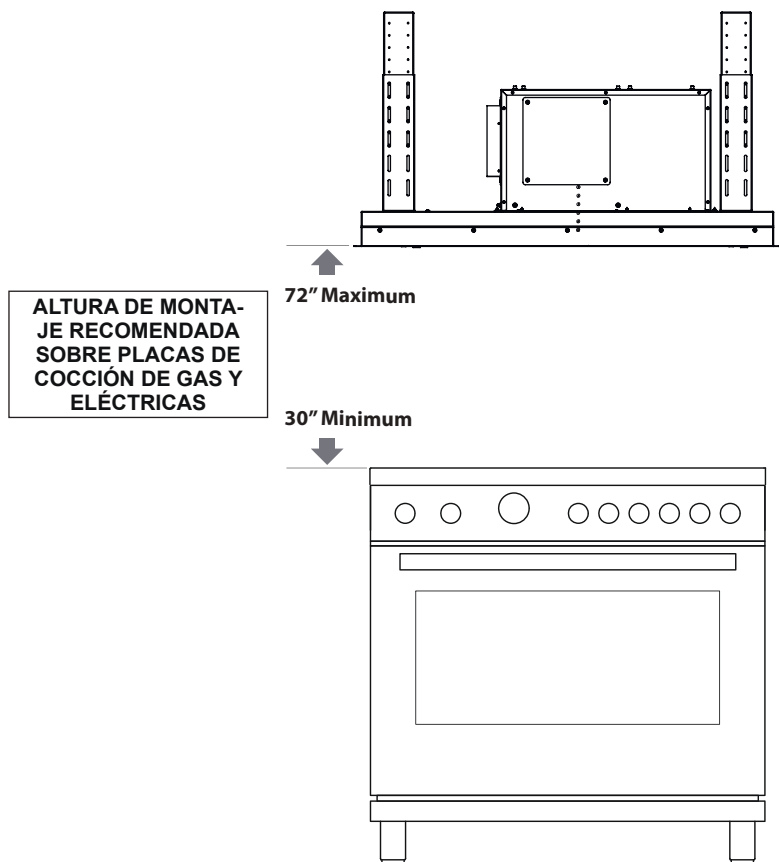
› Parte superior de la campana



› Lado de la campana



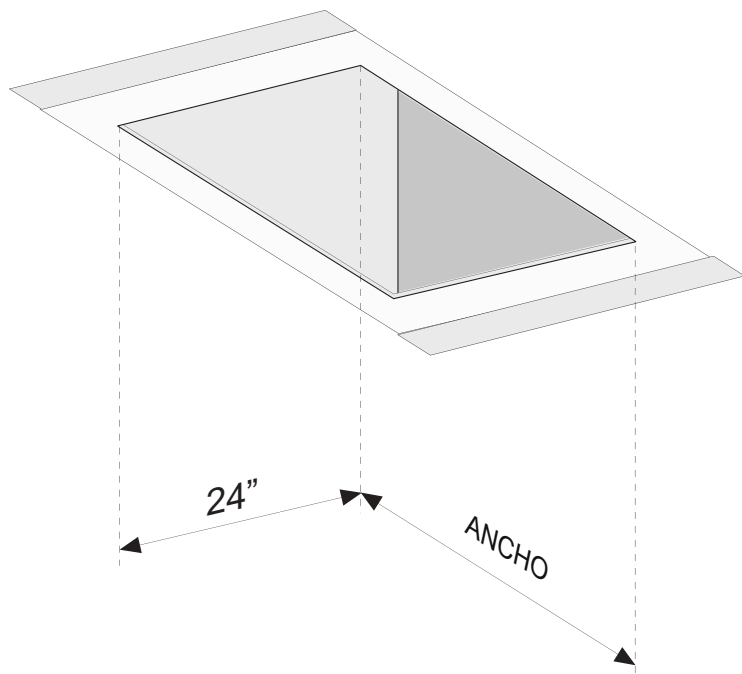
ALTOS Y BAJOS



Todas las gamas de campanas tienen un rango recomendado de altura de instalación sobre la superficie de cocción.

Es importante instalar la campana a la altura de montaje adecuada. Las campanas montadas demasiado bajas podrían resultar en daños por calor y peligro de incendio; mientras que las campanas montadas demasiado altas serán difíciles de alcanzar y perderán su rendimiento y eficiencia.

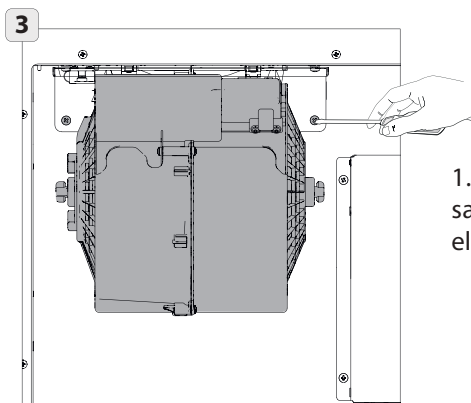
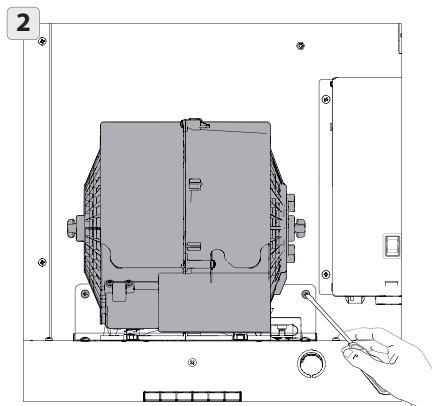
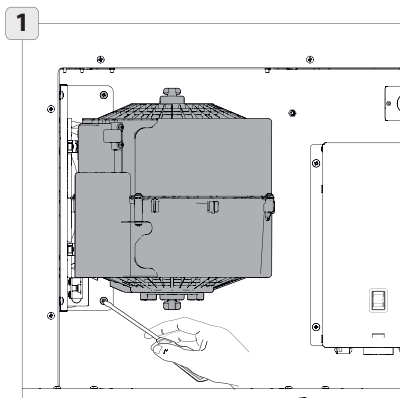
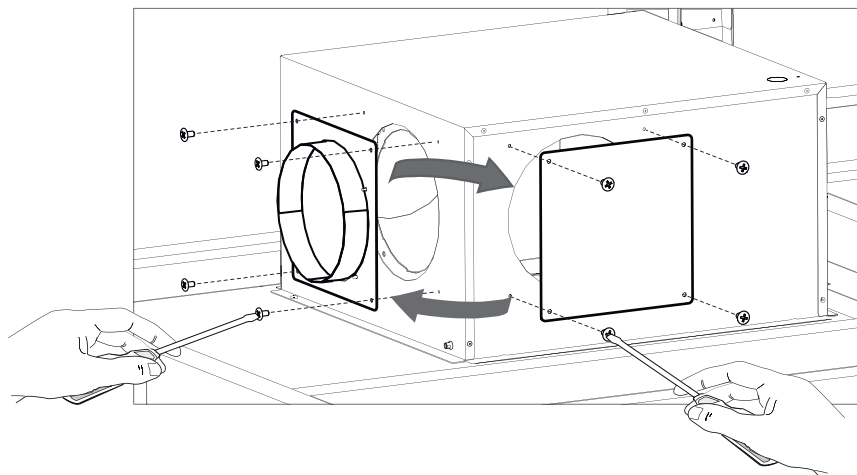
EL RECORTE



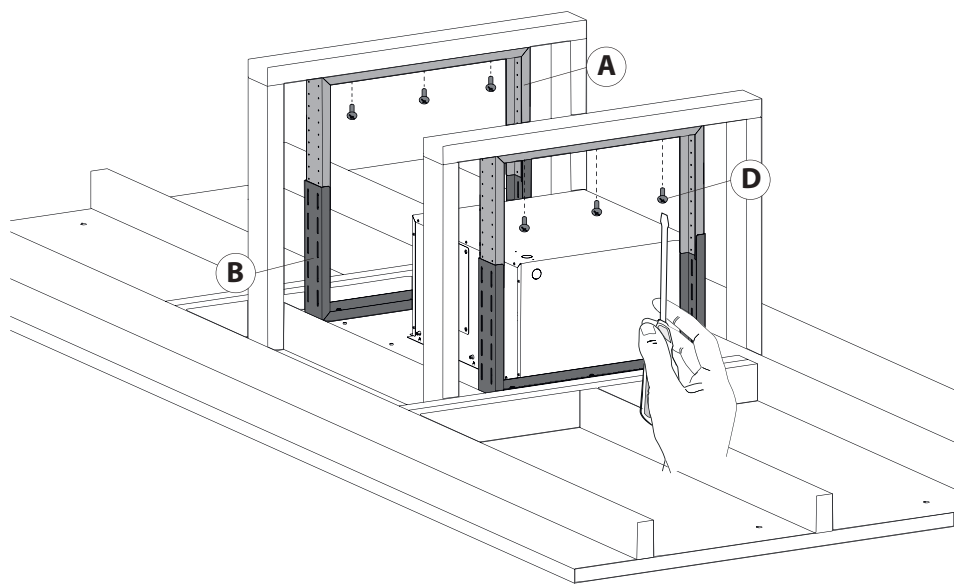
MODELO	ANCHO
XOCEILING36S	34 7/8"
XOCEILING42S	40 7/8"

Para instalar la campana en un dosel o gabinete personalizado, consulte las dimensiones de recorte anteriores para su modelo particular. Se debe minimizar la brecha alrededor de la unidad (~ 1/8") para garantizar un ajuste perfecto.

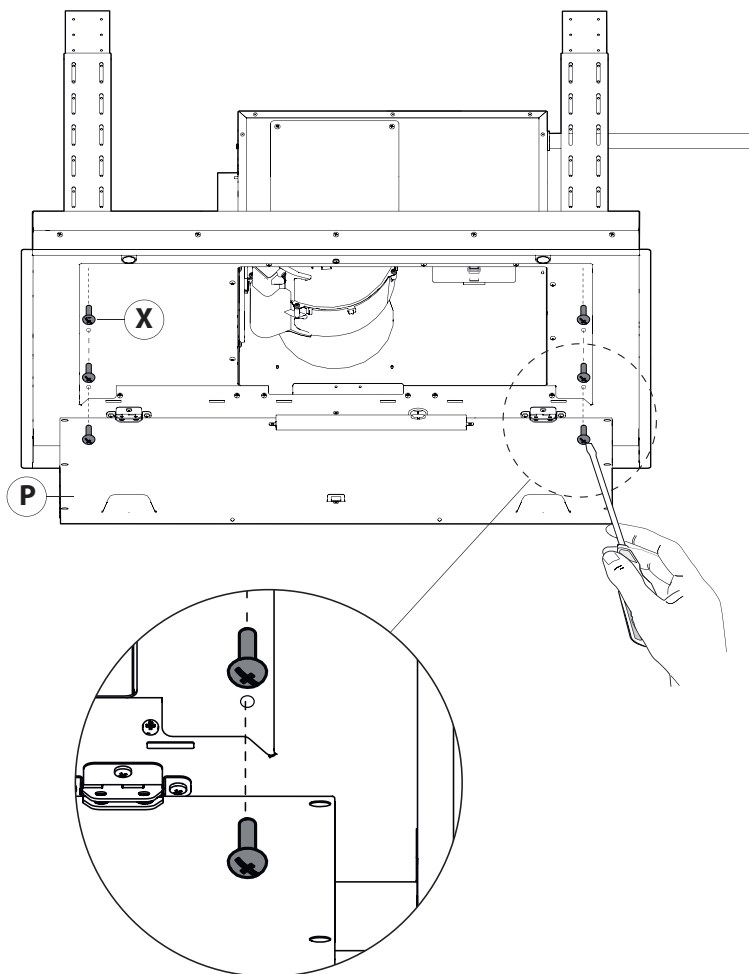
INSTALACIÓN



1. Establezca la dirección del orificio de salida del aire para preparar la conexión eléctrica y la evacuación del aire.



2. Fije los soportes telescópicos **A** y **B** a la viga con los tornillos **D**. Ajuste los soportes a las dimensiones indicadas en (**Fig.1**).



3. Para instalar la campana abra el panel frontal **P**, fije la unidad con los soportes telescópicos utilizando los tornillos **X** y vuelva a cerrar el panel **P**.

- Para las distintas instalaciones, utilice tornillos y tacos de expansión adecuados al tipo de pared (por ejemplo, hormigón armado, cartón yeso, etc.). Si se suministran tornillos y tacos con el producto, asegúrese de que son adecuados para el tipo de pared en la que se va a fijar la campana.

CONEXIÓN ELÉCTRICA

1. Dirija el cable de alimentación a la caja de conexiones dentro de la campana.
2. Usando los accesorios y conectores de conductos enumerados, conecte la fuente de alimentación a la caja y cada línea al cable apropiado siguiendo esta convención de color:

NEGRO = TOMAS MÚLTIPLES

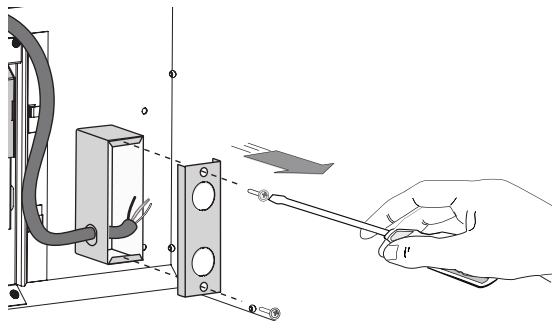
BLANCO = NEUTRO

VERDE/AMARILLO = TIERRA

Se debe respetar la polaridad.

La unidad debe estar correctamente conectada a tierra.

Utilice un interruptor de desconexión de doble tiro.



3. Vuelva a colocar la cubierta de la caja

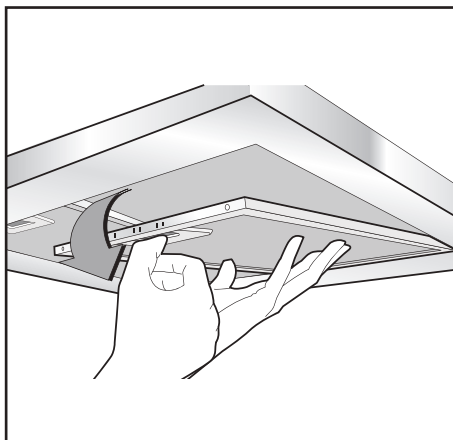
4. Reemplace los filtros antigrasa.

Todo el cableado debe cumplir con el código eléctrico nacional, ANSI/NFPA 70-1999 y todos los códigos y regulaciones locales.

MANTENIMIENTO

La limpieza y el mantenimiento regulares son la clave para la larga vida útil y el máximo rendimiento de cualquier equipo.

• **El filtro antigrasa** cumple la función de retener las partículas de grasa en suspensión en el aire, por lo tanto, puede atascarse en distintos momentos que dependen del uso del aparato. Limpie frecuentemente los filtros de la grasa. Para esto, use una solución detergente. Los filtros de la grasa se pueden lavar en el lavavajillas.



- Para prevenir el peligro de incendios, es necesario lavar los filtros antigrasa cada 2 meses como máximo, para lo cual es posible utilizar un lavavajillas.

- Después de algunos lavados, se pueden verificar alteraciones del color.

Si esto sucede, no constituye motivo de reclamo para su sustitución.

Si no se cumplen las instrucciones de sustitución o de lavado, existe el riesgo de incendio de los filtros antigrasa.

LIMPIEZA DE ACERO INOXIDABLE:

No utilice detergentes corrosivos, detergentes abrasivos o limpiadores de horno.

No utilice ningún producto que contenga lejía de cloro o cualquier producto que contenga cloruro.

No utilice lana de acero o almohadillas de lavado abrasivas que rayen y dañen la superficie.

Limpieza Acero inoxidable Limpie periódicamente con agua tibia jabonosa y paño de algodón limpio o paño de microfibra. Frote siempre en la dirección del grano de acero inoxidable. Para eliminar la acumulación de grasa más pesada, utilice un detergente desengrasante líquido. Después de la limpieza, utilice un pulidor/limpiador de acero inoxidable no abrasivo para pulir y pular el brillo y el grano inoxidables. Frote siempre ligeramente, con un paño de algodón limpio o un paño de microfibra y pular en la dirección del grano de acero inoxidable.

Las superficies pintadas deben limpiarse únicamente con agua tibia y detergente.

MANTENIMIENTO CONTINUADO

PARA LAS UNIDADES UTILIZADAS ÚNICAMENTE EN EL MODO DE RECIRCULACIÓN:

Esto se refiere a las campanas que no se conducen al exterior, sino que dependen de elementos de filtro de carbono para ayudar a purificar el aire antes de que se devuelva de nuevo a la habitación.

Los filtros de elementos de carbono pierden gradualmente eficiencia y no se pueden limpiar ni regenerar. Estos deben reemplazarse al menos 4 veces al año, con mayor frecuencia si es necesario en función de la cantidad de uso y el estilo de cocción.

CAMBIO DE LOS FILTROS DE CARBONO:

Cambiar los filtros es fácil.

Para reducir el riesgo de incendio y descarga, utilice únicamente los filtros de modelo del kit de conversión **XORFND**(ACK00059).

Los filtros **XORFND** se venden por pares.

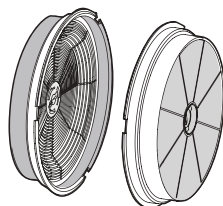
Para reemplazar los filtros, desbloquee y retire los deflectores antigrasa.

Esto expondrá el soplador.

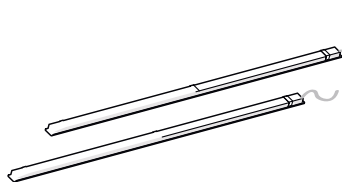
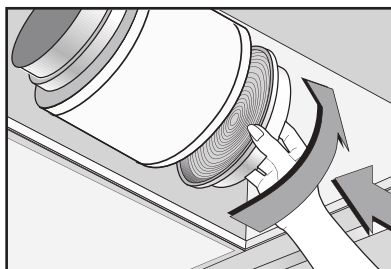
Un filtro de carbono se conecta a cada lado del soplador.

Retire el filtro viejo girando un cuarto de vuelta en sentido contrario a las agujas del reloj y tire de inmediato del soplador.

Para instalar el nuevo filtro, simplemente alinee, empuje en su lugar y gire un cuarto de vuelta en el sentido de las agujas del reloj para bloquearlo.



XORFND
(REFERENCIA UL ACK00059)



SUSTITUCIÓN DE LAS LAMPARAS

Para sustituir la barra de LEDs, se necesita un técnico especializado.

FÁCIL DE OPERAR



Su campana de gama XO es controlada por estos botones electrónicos que se iluminan cuando se activan.

BOTÓN  : Controla las luces LED. Hay tres niveles de iluminación.

Pulse el botón Una vez para ALTO; Dos veces para MEDIO; Tres veces para BAJO; Cuatro veces para APAGADO.

BOTÓN 0: Enciende y apaga el soplador y las luces

BOTÓN 1: El motor del soplador funciona a **BAJA** velocidad.

BOTÓN 2: El motor del soplador funciona a **MEDIA** velocidad.

BOTÓN 3: El motor del soplador funciona a **ALTA** velocidad.

POTENCIA DE SOBREALIMENTACIÓN

Mantenga pulsado el BOTÓN 3 durante 2 segundos.

Esto aumentará el flujo de aire a una cuarta e incluso mayor velocidad durante 10 minutos.

Cuando está activado, el botón parpadeará para avisarle que se está ejecutando.

Después de 10 minutos, la velocidad del soplador volverá a su última configuración.

Para detener manualmente el **AUMENTO DE POTENCIA** antes de que hayan transcurrido 10 minutos:

Pulse el **BOTÓN 3** y volverá a la VELOCIDAD ALTA, o

Pulse el **BOTÓN 0** para apagar el soplador por completo

NOTA: La función DE AUMENTO de potencia funcionará incluso cuando la campana esté apagada.

BOTÓN T: Activa y desactiva la función **DEL TEMPORIZADOR**

Pulsar el **BOTÓN T** (ya sea que el soplador esté apagado o en funcionamiento) hará que el motor funcione a **BAJA** velocidad durante 5 minutos antes de apagar el soplador y las luces automáticamente.

Mientras el **TEMPORIZADOR** está activado, puede cambiar la velocidad o activar **EL AUMENTO DE POTENCIA**, la campana se apagará después de 5 minutos.


Para apagar manualmente la unidad antes de que hayan transcurrido 5 minutos:

Pulse el **BOTÓN T** o el **BOTÓN 0**.

CONTROL REMOTO (Suministrado)

El control remotodebe estar sincronizado antes de su uso.

Para sincronizar el control remoto con la campana, siga estos sencillos pasos:

1. En posición de pie, mientras no esté en funcionamiento, presione y mantenga encendido el **BOTÓN**  en la campana por 4 segundos - el botón debería comenzar a parpadear por 5 segundos.

2. Cuando el botón de la campana comience a parpadear, pulse cualquier botón del control remoto. La campana y el mando a distancia están ahora sincronizados.

3. Si la sincronización falla por cualquier motivo, repita los pasos 1 y 2.



XOVREMOTE1

RECONVERSIÓN DE AIRE

¡Nuevo!


Code Compliance Control



Algunos códigos locales limitan el flujo máximo de aire de escape de las campanas de rango a 400 CFM antes de que se requiera un sistema de aire de reposición.

Los modelos **XOI22SC** y **XOI28SC** se suministran con una capacidad de 600 CFM. El **sistema CCC** le permite limitar la campana de 600 CFM a 395 CFM.

Para configurar la operación 395 CFM, siga el siguiente procedimiento:

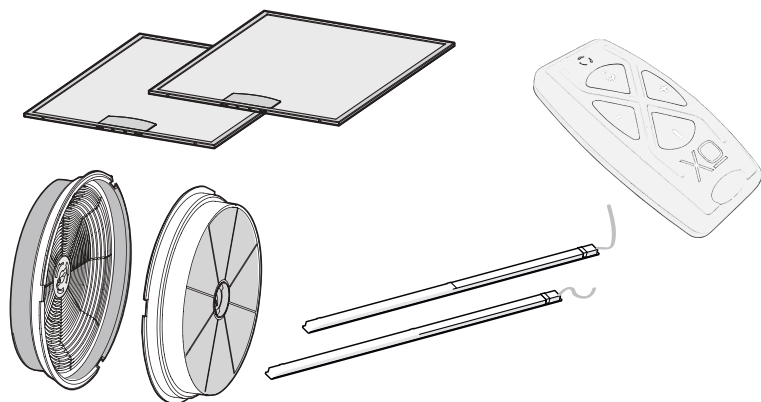
1. Una vez que la campana se haya encendido inicialmente, desconecte la fuente de alimentación apagando el disyuntor.
2. **MUY IMPORTANTE**, después de volver a encender la unidad, debe presionar y mantener pulsados los botones  y "0" simultáneamente dentro de los 5 segundos posteriores a volver a encender la unidad.



NOTA: Si no pulsa los botones dentro de los primeros 5 segundos después de volver a encender la campana, la función CCC no se activará y debe repetir el paso 1.

3. El control parpadea 3 veces
4. La campana ahora está configurada en 395 CFM - la función de AUMENTO DE POTENCIA también está deshabilitada.
5. Fije la pegatina suministrada para indicar que la unidad ha sido reconfigurada a un flujo de aire máximo de 395 CFM.
6. Una vez reconfigurada para 395 CFM, la unidad no se puede restablecer a 600 CFM.

PIEZAS DE ACCESO Y ACCESORIOS



KITS DE RECIRCULACIÓN
FILTROS
LUCES DE REPUESTO
MANDOS A DISTANCIA

**TODAS ESTAS PIEZAS Y MÁS ESTÁN DISPONIBLES,
SIMPLEMENTE VISITE WWW.XOAPPLIANCE.COM y haga clic
en LA TIENDA de piezas O LLÁMENOS al 973-403-8900**

TE CUBRIMOS LA ESPALDA

A los **90 DÍAS ÁMALO o DÉJALO**. Durante 90 días, todos nuestros productos están respaldados por nuestra garantía única Ámallo o Déjalo.

PIEZAS DE DOS AÑOS Y GARANTÍA LIMITADA DE MANO DE OBRA. XO garantiza al comprador original de cada nueva unidad de ventilación XO, el gabinete y todas sus partes, estar libre de defectos de material o mano de obra bajo uso y mantenimiento normal y adecuado según lo especificado por XO y tras la instalación y puesta en marcha adecuadas de acuerdo con el paquete de instrucciones suministrado con cada unidad XO. La obligación de XO en virtud de esta garantía se limita a un período de dos (2) años a partir de la fecha de compra original.

RECLAMACIONES DE GARANTÍA. Todas las reclamaciones de mano de obra o piezas deben hacerse directamente a través de XO. Todas las reclamaciones deben incluir: número de modelo y número de serie del gabinete, comprobante de compra y fecha de instalación. En caso de compresor garantizado, la etiqueta del modelo del compresor debe devolverse a XO junto con la información mencionada anteriormente.

LO QUE NO ESTÁ CUBIERTO POR ESTA GARANTÍA. La única obligación de XO en virtud de esta garantía se limita a la reparación o reemplazo de piezas, sujeto a las limitaciones adicionales a continuación. Esta garantía no asume ni autoriza a ninguna persona a asumir obligaciones distintas de las expresamente cubiertas por esta garantía. Las cajas abiertas, los segundos de fábrica, los arañazos y abolladuras, los modelos de suelo y las aplicaciones comerciales están excluidos de estas garantías.

LA GARANTÍA NO ES TRANSFERIBLE. Esta garantía no es asignable y solo se aplica a favor del comprador/usuario original en el lugar de instalación original. Cualquier cesión o transferencia anulará las garantías aquí hechas y anulará todas las garantías, expresas o implícitas, incluyendo cualquier garantía o comerciabilidad o idoneidad para un propósito particular.

USO INADECUADO. XO no asume ninguna responsabilidad por las piezas o la cobertura de mano de obra por fallas en los componentes u otros daños resultantes del uso o la instalación inadecuados o la falta de limpieza y/o mantenimiento del producto como se establece en el paquete de garantía proporcionado con la unidad.

ALTERACIÓN O NEGLIGENCIA. XO no es responsable de la reparación o reemplazo de cualquier pieza que XO determine que ha sido sometida después de la fecha de fabricación a alteración, negligencia, abuso, mal uso, accidente, daño durante el tránsito o la instalación, incendio, o cualquier evento o accidente no influenciado por el hombre.

CONEXIONES ELÉCTRICAS INADECUADAS. XO no es responsable de la reparación o reemplazo de componentes defectuosos o dañados como resultado de fallas de energía eléctrica, alta o baja tensión, uso de cables de extensión o conexión a tierra inadecuada de la unidad.

SUS DERECHOS BAJO LA LEY ESTATAL. Esta garantía le otorga derechos legales específicos y es posible que tenga otros derechos que varían de un estado a otro. Algunos estados no permiten la exclusión o limitación de daños consecuentes o una limitación en el tiempo que dura una garantía implícita, por lo que la exclusión o limitación anterior puede no aplicarse a usted.

FUERA DE LOS EE.UU Esta garantía no se aplica, y XO no se hace responsable de, ninguna reclamación de garantía hecha en productos vendidos o usados fuera de los 48 Estados Unidos continentales.

Para obtener el servicio:

Llame al 973-403-8900 | envíe un correo electrónico a service@xoappliance.com
| o envíe una solicitud a nuestro sitio web



