

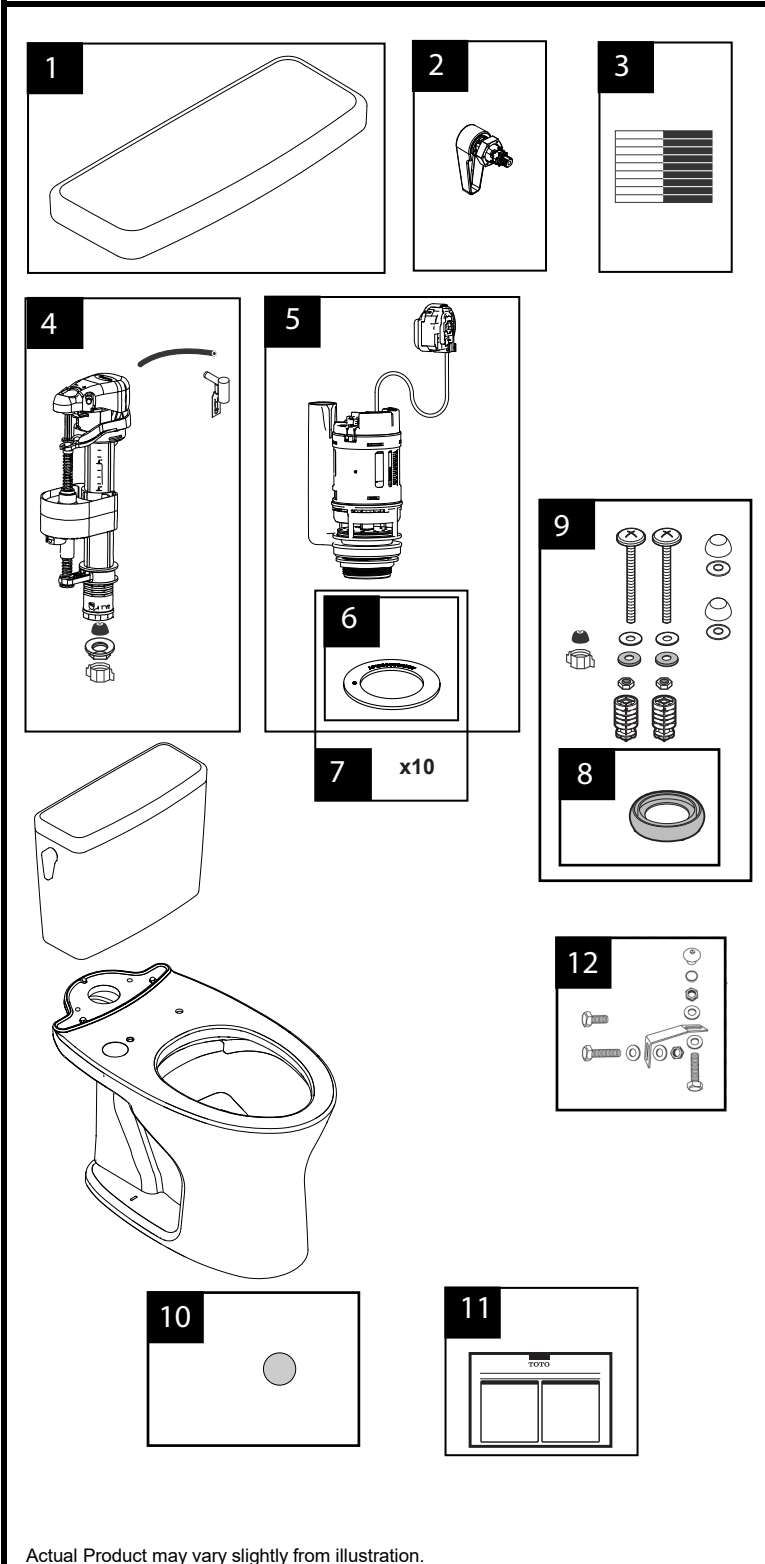
CST746CEMFG.10 MS746124CEMFG.10 MW7463056CEMFG(A).10
 CT746CUFG.10 CT746CUFGT40.10 CT746CUFGT40.10
 ST746EMA ST746EMA ST746EMA

ST746EMR MW7463046CEMFG(A).10
 ST746EMB CT746CUFGT40.10
 ST746EMD ST746EMA
 ST746EMDB

10" Drake®

1.28 & 0.8 Gpf Toilet, Elongated

DYNAMAX TORNADO FLUSH®, Universal Height,
 (including CEFIONTECT®, Right Hand Trip Lever)



Item	Part	Description
1	TCU746CR#01	Tank Lid w/ Velcro Tape - Cotton
	TCU746CR#03	Tank Lid w/ Velcro Tape - Bone
	TCU746CR#11	Tank Lid w/ Velcro Tape - Colonial White
	TCU746CR#12	Tank Lid w/ Velcro Tape - Sedona Beige
	TCU746CR#51	Tank Lid w/ Velcro Tape - Ebony
	TCU746BCR#01	Tank Lid w/ Bolt Down Hole
2	THU773#CP-A	Trip Lever Handle - Chrome Plated
	THU773#PN-A	Trip Lever Handle - Polished Nickel
	THU773#BN-A	Trip Lever Handle - Brushed Nickel
	THU773#01-A	Trip Lever Handle - Cotton
	THU774#CP-A	Trip Lever Right Handle - Chrome Plated
	THU774#PN-A	Trip Lever Right Handle - Polished Nickel
	THU774#BN-A	Trip Lever Right Handle - Brushed Nickel
	THU774#01-A	Trip Lever Right Handle - Cotton
3	THU107	Velcro Tape
4	TSU813.07-A	Fill Valve Assembly
5	THU776-A	Flush Valve Assembly, 1.28 GPF
	THU792-A	Flush Valve Assembly, 1.28 GPF for Right Hand Tank
	THU654-A	Flush Valve Assembly, 1.28 GPF for Insulated Tank Only
6	9BU112E-A	Flush Tower Seal Gasket - 1pc
7	THU744	Flush Tower Seal Gasket
8	9BU109E-A	Tank to Bowl Gasket
9	THU778#01-A	Tank to Bowl Mounting Hardware - Cotton White
	THU778#03-A	Tank to Bowl Mounting Hardware - Bone
	THU778#11-A	Tank to Bowl Mounting Hardware - Colonial White
	THU778#12-A	Tank to Bowl Mounting Hardware - Sedona Beige
	THU778#51-A	Tank to Bowl Mounting Hardware - Ebony
10	0EU147#01-A	Conceal Sticker - Cotton White
	0EU147#03-A	Conceal Sticker - Bone
	0EU147#11-A	Conceal Sticker - Colonial White
	0EU147#12-A	Conceal Sticker - Sedona Beige
	0EU147#51-A	Conceal Sticker - Ebony
11	0GU193	Installation Instruction
12	THU089	Bolt Down Set

Note:

Product Number Explanations

Two-Piece Toilet

(CST) Gravity Type Toilet
 (MS) Toilet & Seat Combo
 (MW) Toilet & WASHLET® Combo
 (SS) Seat
 (SW) WASHLET®
 (746) Model
 (C) DYNAMAX TORNADO FLUSH®
 (E) 1.28 Gpf / 0.8Gpf
 (M) DUAL-MAX®
 (G) CEFIONTECT®
 (.10) 10"

Tank

(ST) Tank
 (746) Model
 (E) 1.28 Gpf / 0.8Gpf
 (M) DUAL-MAX®
 (R) Right Hand Trip Lever
 (B) Bolt Down
 (D) Insulated
 (DB) Insulated Bolt Down

Bowl

(CT) Bowl
 (746) Model
 (C) DYNAMAX TORNADO FLUSH®
 (G) CEFIONTECT®
 (T40) WASHLET®+
 (.10) 10"

Actual Product may vary slightly from illustration.