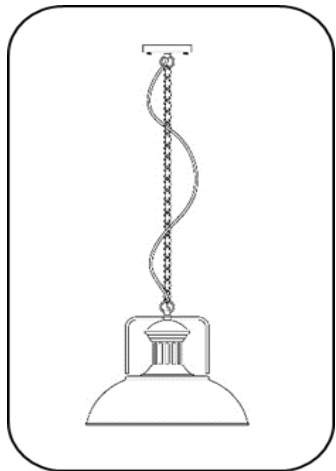




VERSANORA

Piastra

Metal pendant lamp

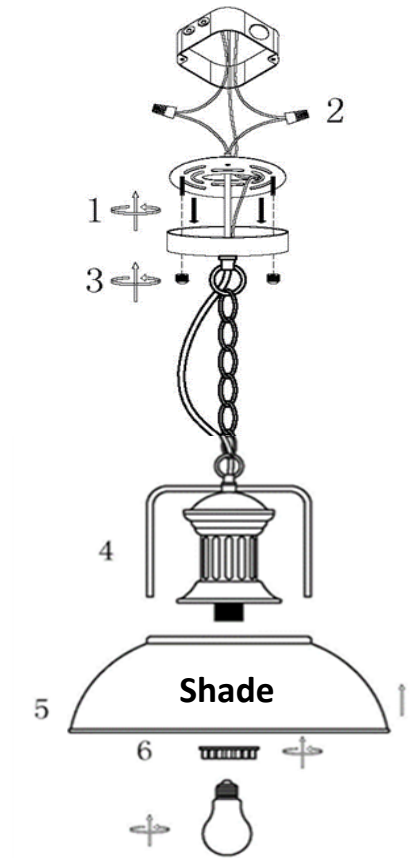


VN-L00035



Warning: Turn off the switch during installation

1. Fix the bottom of the ceiling box case to the ceiling by screws with the circular metal ring with the power source wires passing through.
2. Match & connect the live (black) and neutral (white) wires from the lamp to the power supply. Fix it with the cone shape terminal block. Match & connect the earth wire (green) to the ground wire and screw to the ground screw nut (green) on the circular ring.
3. Close the case and screw tight with the circular nut.
4. Place shade (5) onto socket assembly (4), then tighten ring (6) clockwise to secure the shade.



(Bulb not included)

Cleaning & Care

Dust surfaces with a dry soft cloth.

Do not use window cleaners or cleaning abrasives as they will scratch the surface & could damage the protective coating.

Important safety instructions

If you are unsure about your ceiling/wall type or what mounting method you should use, please consult with a qualified professional or your local hardware store.

We recommend installation of this pendant lamp by a licensed electrician.

Warning

Small parts & sharp edges may be present prior to assembly.

Customer Service:

For questions regarding this product, or to receive replacement or missing parts, please contact customer service based on your location. Please have ready the model number when you contact us.

USA : partsandreplacements@teamson.com or 1-800-935-3959

T:631-274-3353

E:support@teamson.com

WWW.versanora.com