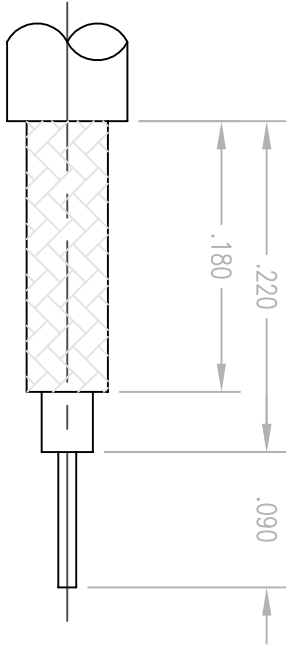
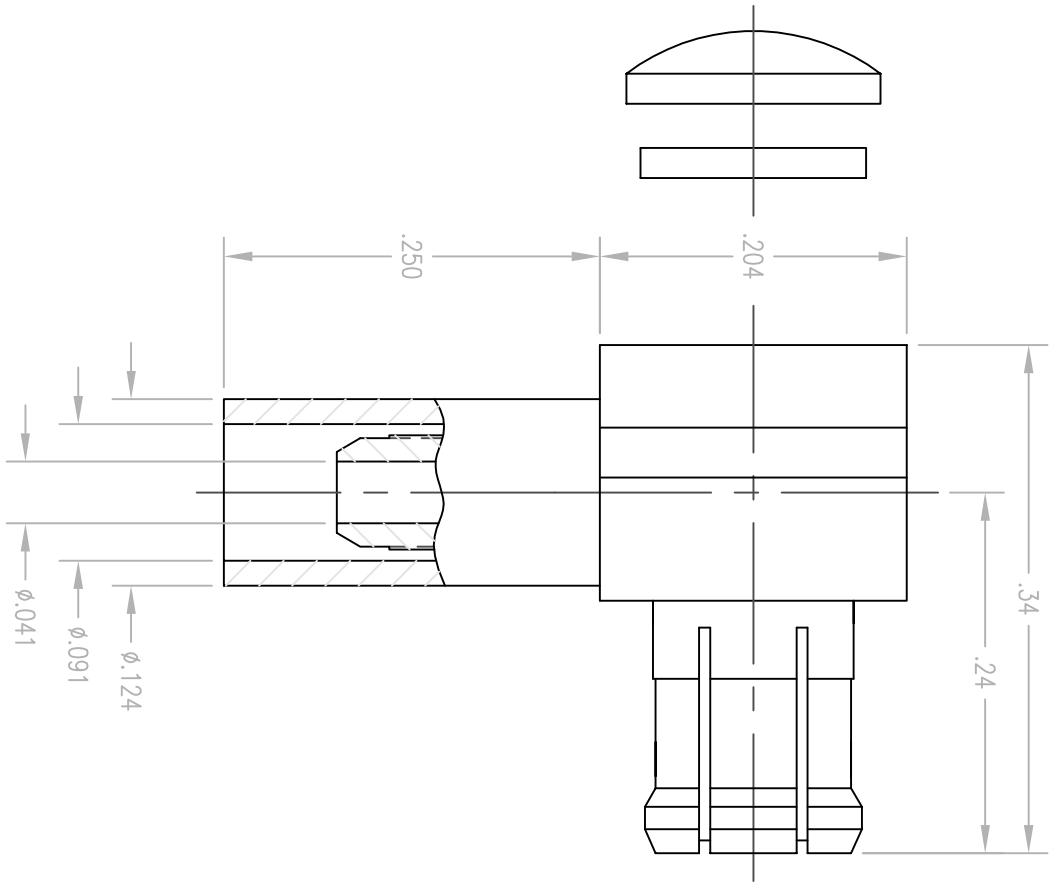


REV.	DESCRIPTION	DATE	BY	APP'D
D	NPR 2087	11/3/00	JED	

- NOTES:
- MATERIALS:  
 FRONT BODY: BERYLLIUM COPPER PER ASTM B196  
 INSULATOR: TEFLON PER ASTM D1710  
 ALL OTHER METAL PARTS: BRASS PER ASTM B16
  - FINISH:  
 BODY: .000015 MIN. GOLD PER MIL-G-45204 OVER  
 .000050 MIN. NICKEL PER QQ-N-290  
 CENTER CONTACT: .000030 MIN. GOLD PER MIL-G-45204 OVER  
 .000050 MIN. NICKEL PER QQ-N-290  
 ALL OTHER METAL PARTS: .000005 MIN. GOLD PER MIL-G-45204 OVER  
 .000050 MIN. NICKEL PER QQ-N-290
  - FOR USE WITH RG-178 CABLE OR EQUIVALENT.
  - FOR CABLING PROCEDURES USE CAP 9-09.
  - FOR CRIMPING USE .105 HEX DIE (DANIELS Y-196, HEX B)



CABLE TRIMMING DIMENSIONS

PER ASME Y14.5M-1994 UNLESS OTHERWISE SPECIFIED: TOLERANCES ARE IN INCHES (M)		<b>Litton</b> Winchester/Reticon 400 Park Road Waterford, Connecticut 06795	
DIMENSIONS: .XX ± .01/0.254 .XXX ± .005/0.127 ANGLES: 3° Z		SCALE: 8:1	

<b>CUSTOMER DRAWING</b>		<b>TITLE</b> MCX RIGHT ANGLE PLUG	
DRAWN JED	DATE 11/3/00	CHECKED	DATE
APPROVED	DATE	APPROVED	DATE
A	452-900-0360H	SFT.	1 OF 1
D		REV.	D