



## Set of Hot and Cold 3/4" Sidevalves

ROHL Italian Country Bath Collection

**A7422LM** (Metal Levers)

**A7422LP** (Porcelain Levers)

**A7422XM** (Cross Handles)

**A7422LH** (Hex Metal Levers)

**A7422LC** (Swarovski® Crystal Levers)

**A7422XC** (Swarovski® Crystal Cross Handles)

### FEATURES

- For use on bathtubs with integrated tub spouts
- 3/4" sidevalves
- 2 x 1 5/16" cutouts
- 1/4-turn ceramic valves

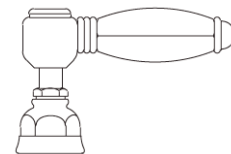
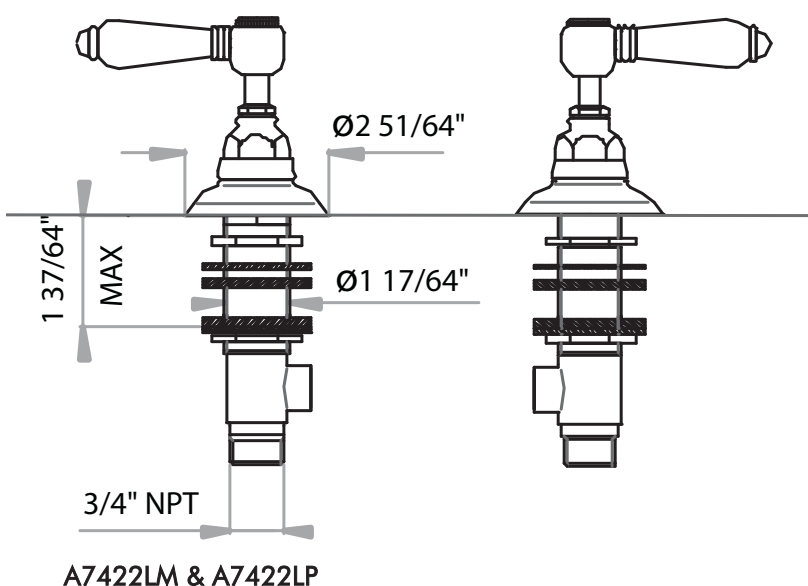
### COLORS/FINISHES

- Polished Chrome
- Polished Nickel
- Satin Nickel
- Tuscan Brass
- Inca Brass
- Old Iron\*

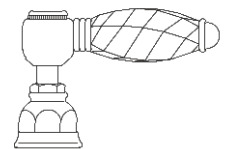
### WARRANTY

- Limited Lifetime\*
- \* No Warranty on Tuscan Brass Finish (TCB)

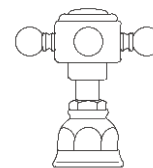
\*Old Iron finish only available for A7422LM and A7422XM



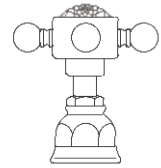
A7422LH



A7422LC



A7422XM



A7422XC

## A7422 Spare Parts

