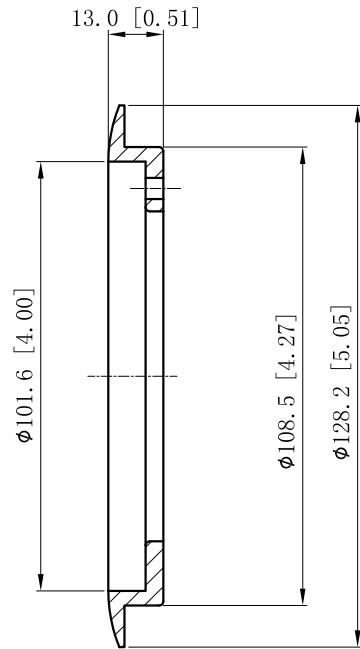
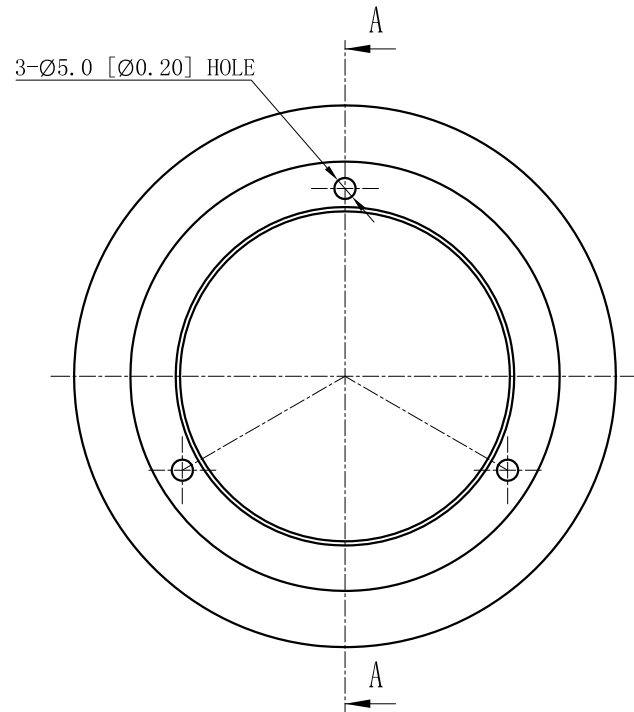


|                      |        |
|----------------------|--------|
| SIDES                | BOTTOM |
|                      |        |
|                      |        |
|                      |        |
| Material:Steel-Brass |        |



CUTAWAY VIEW A-A



This data sheet is for reference only.GARVIN INDUSTRIES reserves the right to make changes to the design without prior notice.

|                       |
|-----------------------|
| DESCRIPTION           |
|                       |
| TRADE REFERENCE TERMS |
|                       |

|                  |
|------------------|
| STANDARD PACKING |
| 40 PCS           |

|                              |                    |     |
|------------------------------|--------------------|-----|
| <b>GARVIN INDUSTRIES</b>     |                    |     |
| TITLE<br>Metal Carpet Flange |                    |     |
| SIZE<br>A4                   | DWG NO.<br>FBCF-BR | REV |
| DATA SHEET                   |                    |     |