

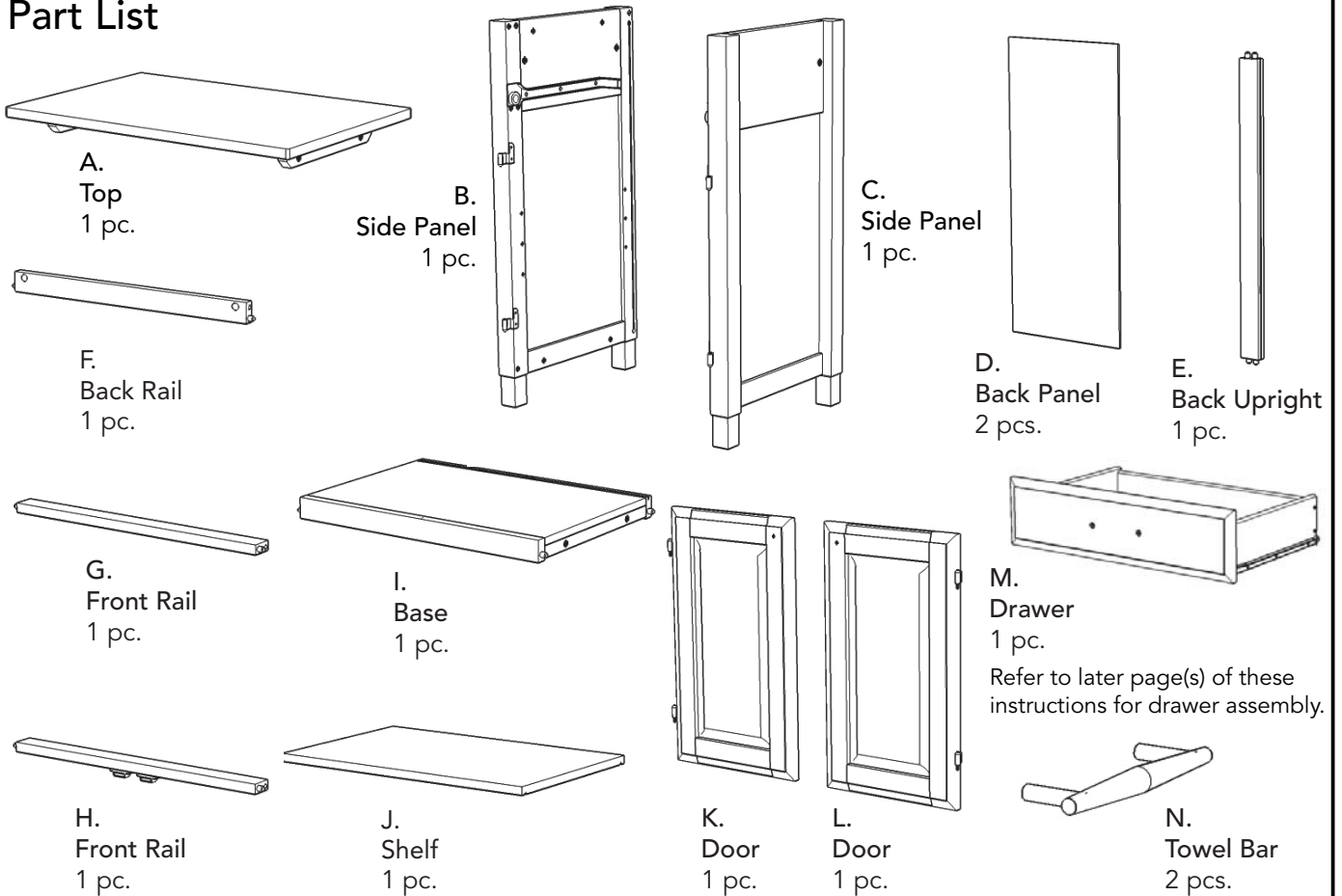
IMPORTANT

Carefully remove all the parts from the carton and place them individually on a soft cloth to prevent scratches or other damage.

Carefully and strictly follow these assembly instructions to ensure a completed product as designed.

Do not use power tools above 8 volts to assemble.

Part List



Hardware List



Tool(s) required for assembly: Phillips screwdriver

Assembly Instructions 2/5

IMPORTANT

- Use a soft cloth between these parts and the floor.
- Do not use power tools above 8 volts to assemble.
- Do not tighten all the bolts until each part is properly assembled.
- Keep Hex Wrench as the bolts may need to be tightened in the future.

STEP 1

Insert Cam Lock Screws into pre-drilled holes of Side Panels (B) and (C), then tighten.
(See Figure 1)

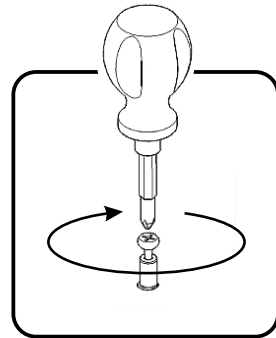
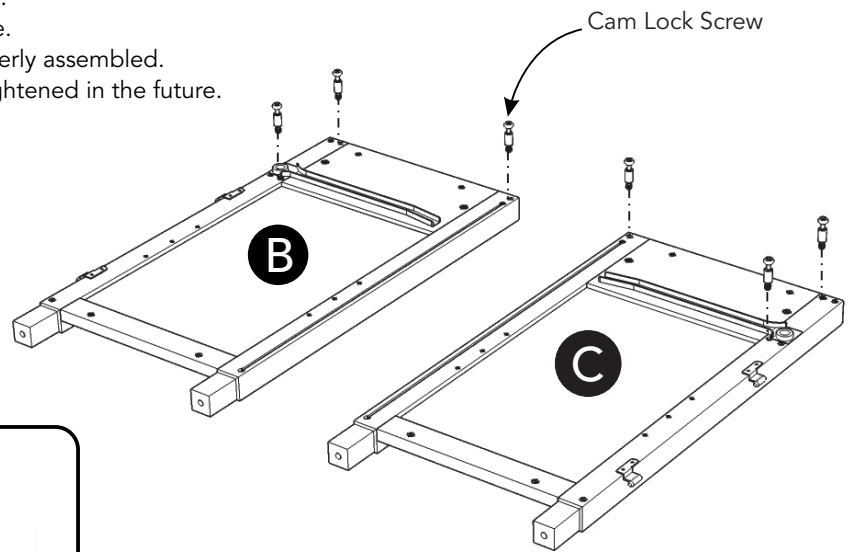


Figure 1



STEP 2

Attach Base (I) to Side Panel (B) with Head Cap Bolts.
(See Figure 2)

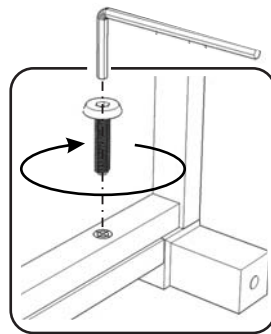
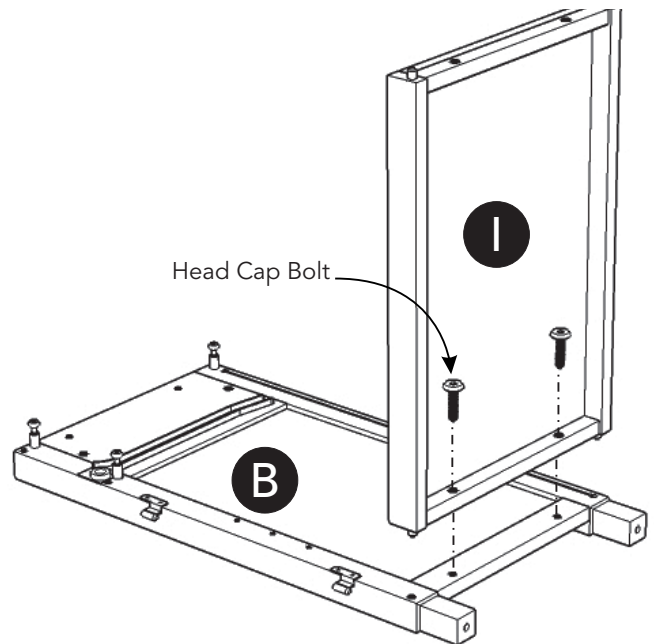


Figure 2



STEP 3

Attach Back Panels (D), Back Upright (E) and Back Rail (F) to unit with Cam Lock.
(See Figure 3)

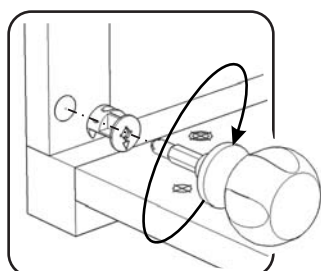
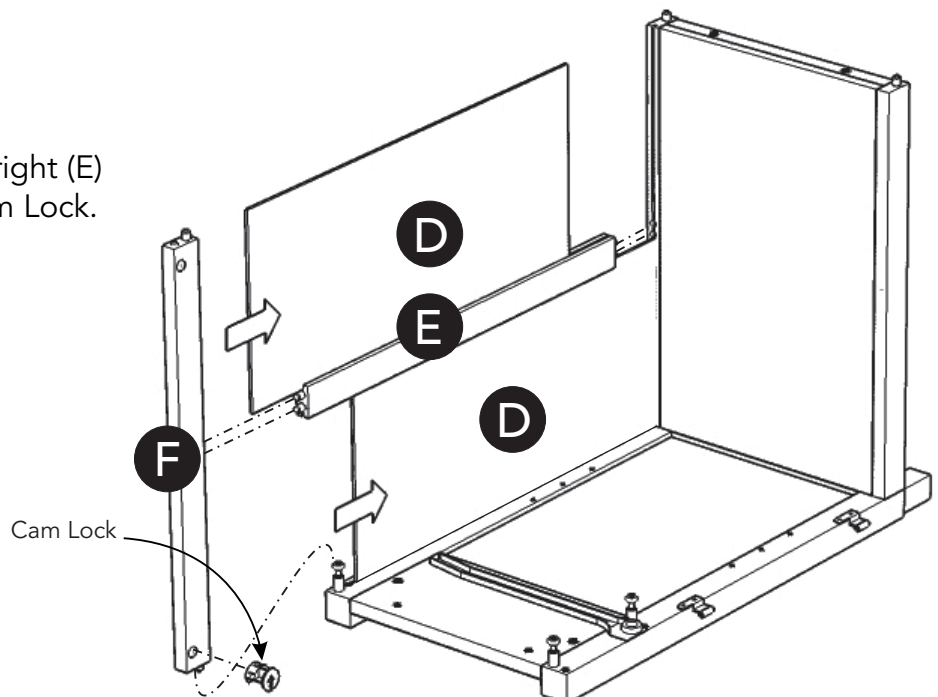


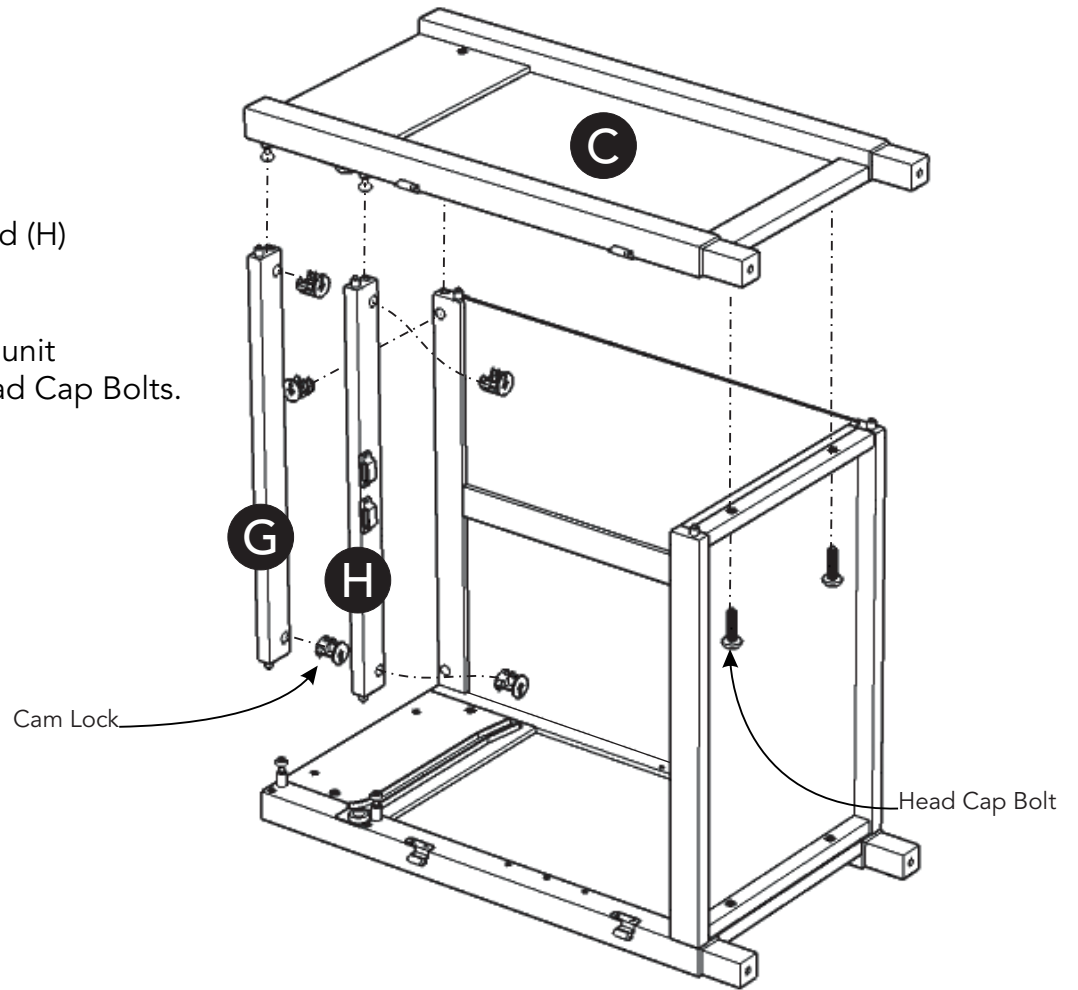
Figure 3



STEP 4

Attach Front Rails (G) and (H) to unit with Cam Locks.

Attach Side Panel (C) to unit with Cam Locks and Head Cap Bolts.



STEP 5

Turn unit upside down.

Attach Casters to bottom of unit, with Locking Casters at front. (See Figure 4)

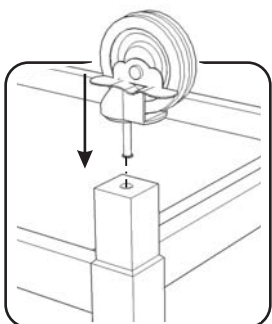
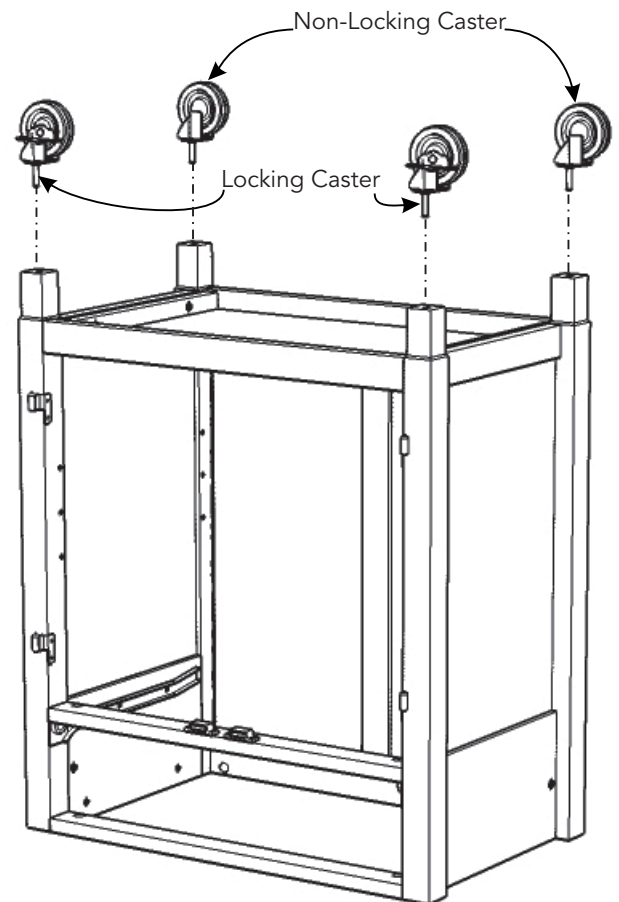
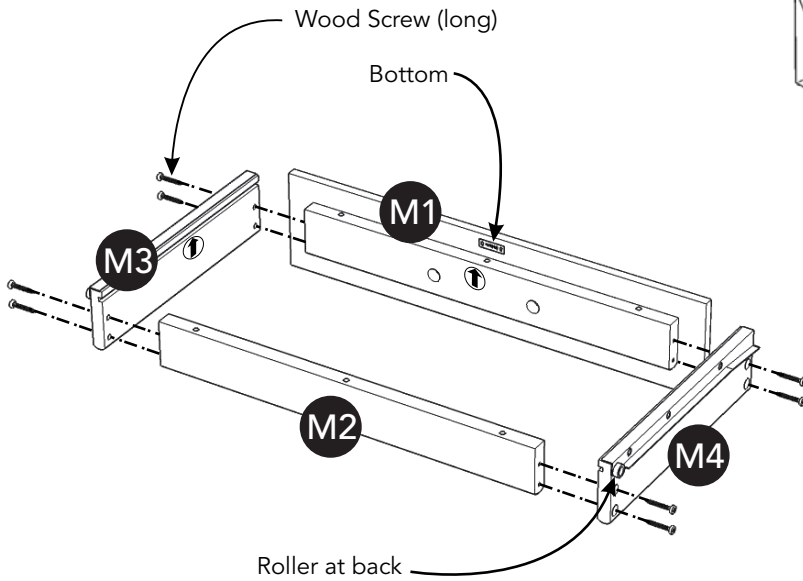


Figure 4

Assembly Instructions 4/5

Drawer (M)



STEP 6

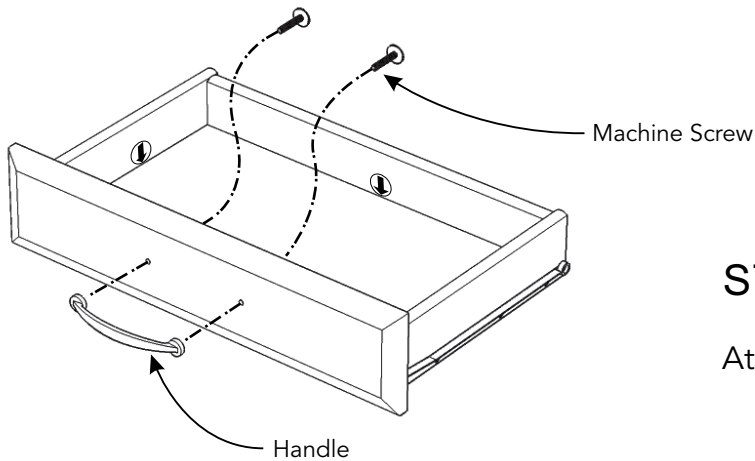
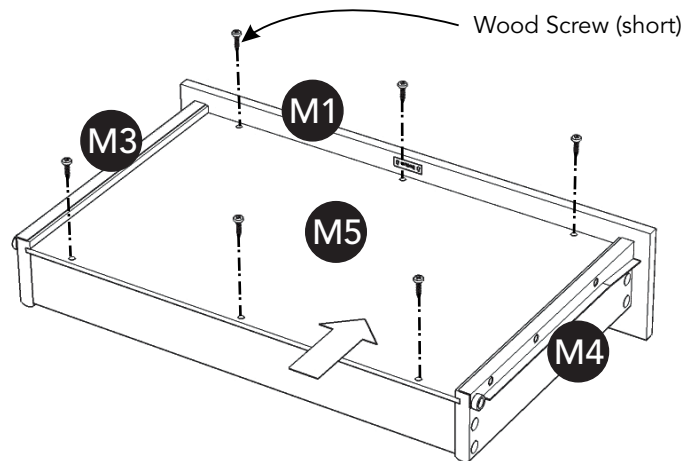
Attach Drawer Front (M1) and Drawer Back (M2) to Drawer Side (M3) with Wood Screws (long).

Attach Drawer Side (M4) to unit with Wood Screws (long).

STEP 7

Slide Drawer Bottom (M5) into the grooves of Drawer Sides (M3) and (M4) until it meets Drawer Front (M1).

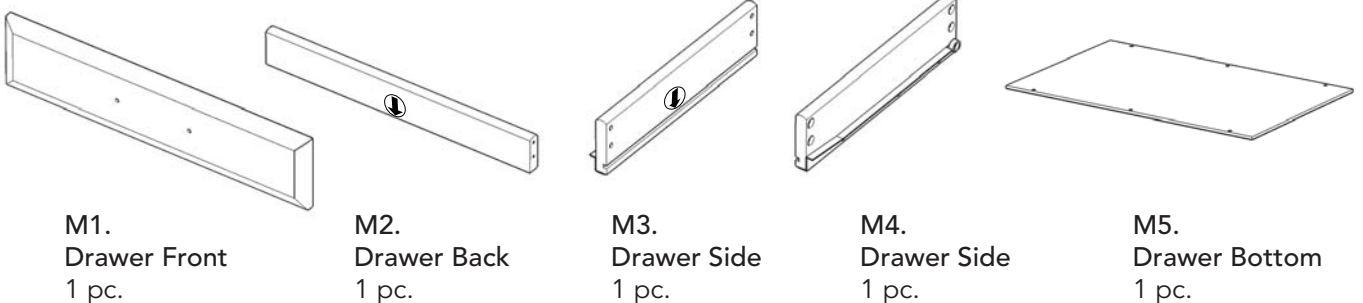
Attach Drawer Bottom (M5) to unit with Wood Screws (short).



STEP 8

Attach Handle with Machine Screws.

Part List



Assembly Instructions 5/5

STEP 9

Turn unit to its' upright position.

Attach Towel Bars (N) to unit with Head Cap Bolts.

Attach Top (A) to unit with Head Cap Bolts.

Insert Adjustable Pins into side panels at desired level. (See Figure 5)

Place Shelf (J) into position.

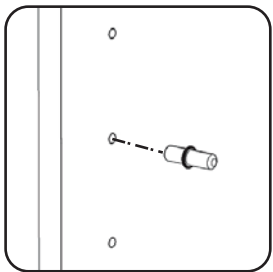
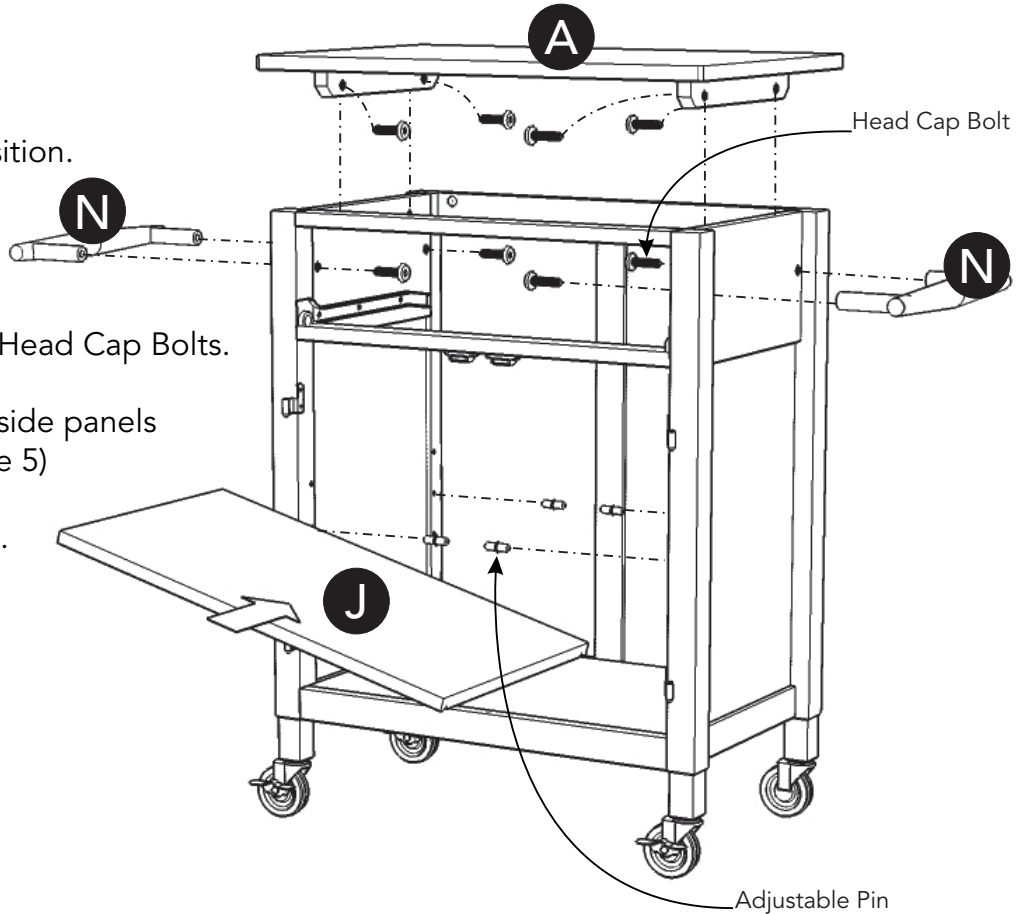


Figure 5

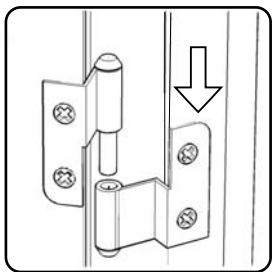


Figure 6

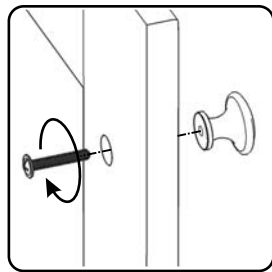
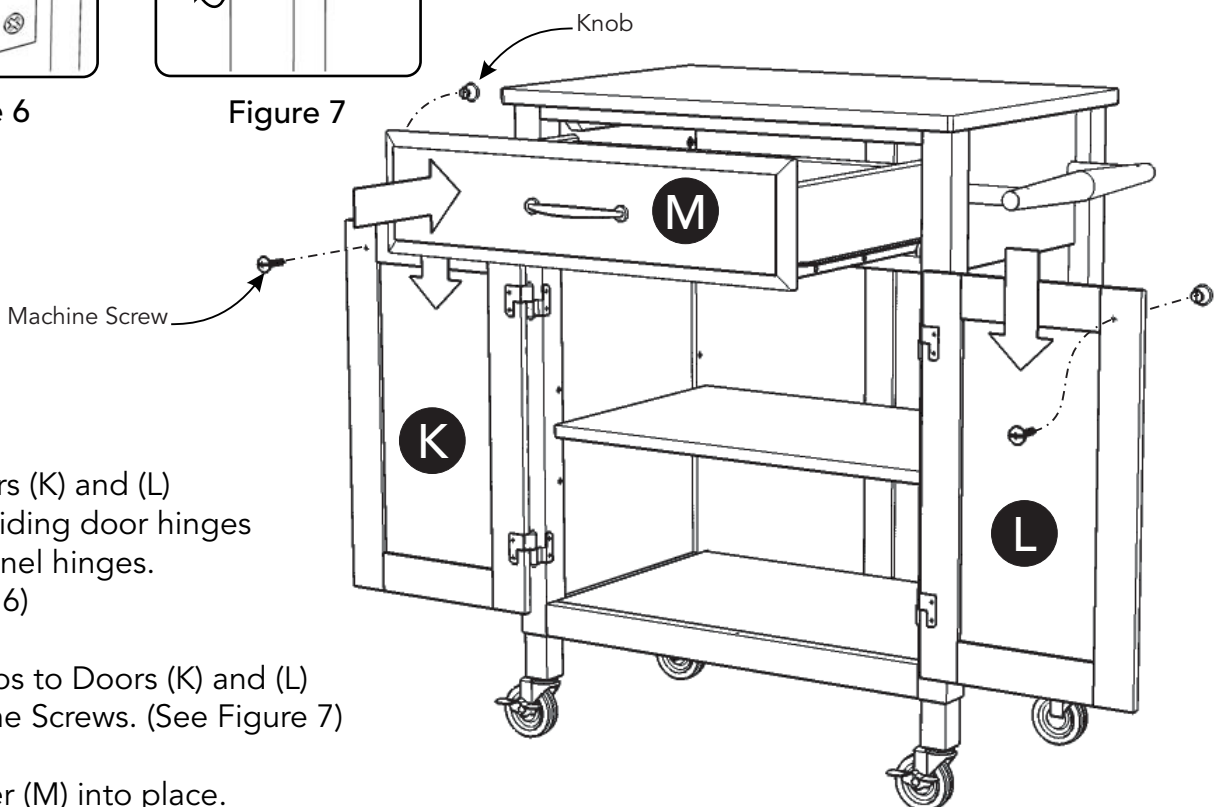


Figure 7



STEP 10

Attach Doors (K) and (L) to unit by sliding door hinges into side panel hinges. (See Figure 6)

Attach Knobs to Doors (K) and (L) with Machine Screws. (See Figure 7)

Slide Drawer (M) into place.

CARE INSTRUCTIONS

NEVER

allow liquids to remain on furniture.
Absorption causes parts to warp
and split and finishes to delaminate.

NEVER

use glass cleaners on
finished furniture. Ammonia
chemically attacks the finish.



Do not use power tools
above 8 volts to assemble.

**PREVENT
CRACKING**



Do not place
in direct sunlight.

**PREVENT
FADING**



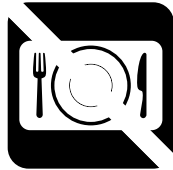
Do not write
directly on surface.

**PREVENT
MARKING**



Do not place hot
objects on surface.

**PREVENT
FINISH DAMAGE**



Do not use rubber
based placemats.

**PREVENT
DISCOLORING**



Do not use commercial
waxes and polishes.

**PREVENT
YELLOWING**

CLEAN

with a soft cloth moistened
in lukewarm soap and water.
Buff with a dry clean cloth.



Home Styles will provide replacements free of charge for missing or damaged hardware or parts within 30 days of purchase. Digital images of the defective parts may be required. If the product was not purchased from an authorized retail affiliate, Home Styles is under no obligation to provide replacement parts. Parts are not available for fully assembled items nor are parts available for sale. Replacements for missing or damaged hardware or parts may be requested at:

www.homestyles-furniture.com/customer-service/replacement-parts

Home Styles Customer Service: www.homestyles-furniture.com,
servicedesk@homestyles-furniture.com, 888-680-7460, 877-831-0319