



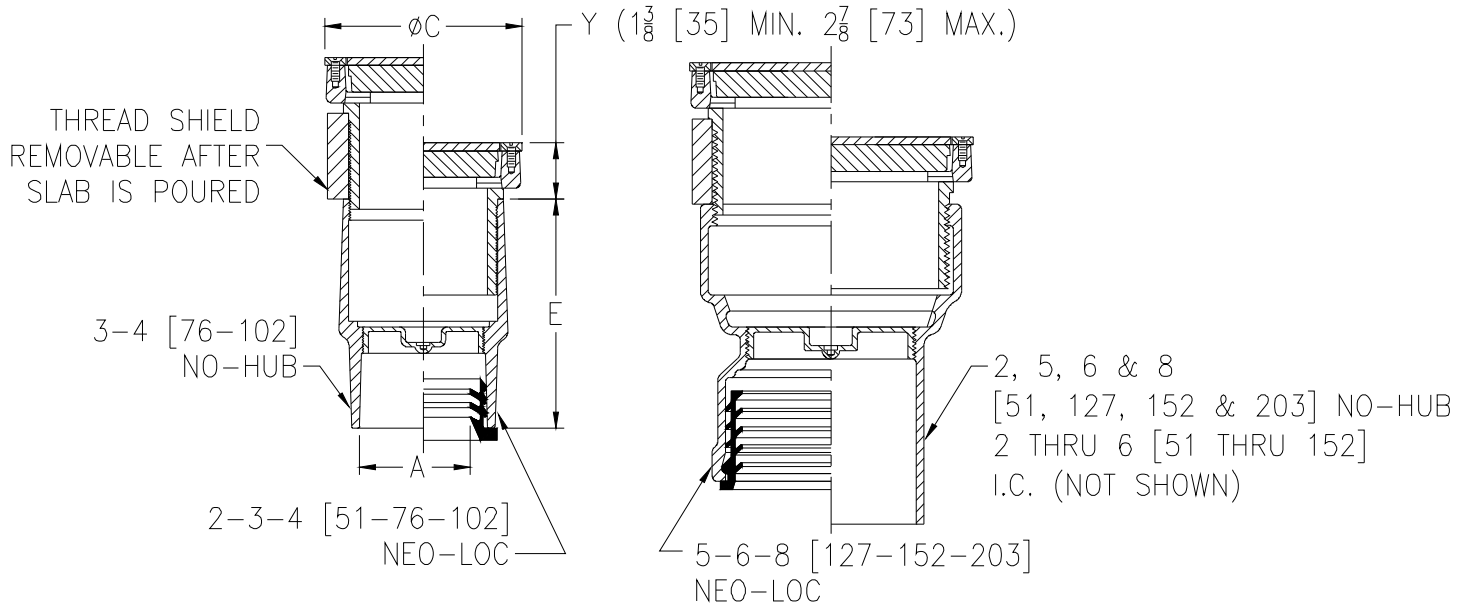
ZN1400-HD

"LEVEL-TROL" ADJUSTABLE FLOOR CLEANOUT W/ HEAVY-DUTY TOP

SPECIFICATION SHEET

TAG _____

Dimensional Data (inches and [mm]) are Subject to Manufacturing Tolerances and Change Without Notice



Dimensions In Inches			Approx. Wt. Lbs. [kg]
A-Pipe Size	C	E	
Inside Caulk			
2 [51]	6 1/8 [156]	6 7/8 [175]	16.1 [7]
3 [76]	6 1/8 [156]	6 7/8 [175]	15.8 [7]
4 [102]	7 1/4 [184]	6 7/8 [175]	21.3 [10]
5 [127]	8 1/4 [210]	6 7/8 [175]	24.9 [11]
6 [152]	9 1/4 [235]	6 7/8 [175]	33.7 [15]
No-Hub			
2 [51]	4 1/8 [105]	4 5/8 [117]	8.2 [4]
3 [76]	4 1/8 [105]	4 3/4 [121]	9.3 [4]
4 [102]	5 1/8 [130]	4 3/4 [121]	12.9 [6]
5 [127]	7 1/4 [184]	7 1/2 [191]	21.3 [10]
6 [152]	8 1/4 [210]	4 3/4 [121]	26.6 [12]
8 [203]	9 1/4 [235]	7 1/2 [191]	36.1 [16]
Neo-Loc			
2 [51]	4 1/8 [105]	4 3/4 [121]	9.5 [4]
3 [76]	5 1/8 [130]	4 3/4 [121]	13.2 [6]
4 [102]	5 1/8 [130]	4 3/4 [121]	14.1 [6]
5 [127]	7 1/4 [184]	6 1/2 [165]	22 [10]
6 [152]	8 1/4 [210]	5 7/8 [149]	24 [11]
8 [203]	9 1/4 [235]	6 1/2 [165]	32 [15]

ENGINEERING SPECIFICATION: ZURN ZN1400-HD

"Level-Trol" Adjustable floor cleanout, Dura-Coated cast iron body, with gas and watertight ABS tapered thread plug, and round heavy-duty top adjustable to finished floor.

OPTIONS (Check/specify appropriate options)

PREFIXES

- ___ ZB D.C.C.I. with Polished Bronze Top
- ___ ZN D.C.C.I. with Polished Nickel Bronze Top*

SUFFIXES

- ___ -AR Acid Resisting Epoxy Coated Finish
- ___ -BP Bronze Plug
- ___ -G Galvanized Cast Iron
- ___ -K Anchor Flange
- ___ -KC Anchor Flange with Clamp Collar
- ___ -SG Solid Gasketed Cover
- ___ -SM Special Marking Stamped on Top
- ___ -T Square Top
- ___ -TC Neo-Loc Test Cap Gasket (2-4 [51-102] NL Bottom Outlet Only)
- ___ -VP Vandal-Proof Screws

PIPE SIZE

- 2 thru 6 [51 thru 152]
- 2 thru 6-8 [51 thru 152-203]
- 2 thru 6-8 [51 thru 152-203]

(Specify size/type) OUTLET

- ___ IC Inside Caulk
- ___ NH No-Hub
- ___ NL Neo-Loc

'E' BODY HT. DIM.

- See Chart
- See Chart
- See Chart

*REGULARLY FURNISHED UNLESS OTHERWISE SPECIFIED

REV. A DATE: 6/7/10 C.N. NO. 111232

DWG. NO. 82442 PRODUCT NO. ZN1400-HD

ZURN INDUSTRIES, LLC. ♦ SPECIFICATION DRAINAGE OPERATION ♦ 1801 Pittsburgh Ave. ♦ Erie, PA 16514

Phone: 814455-0921 ♦ Fax: 814454-7929 ♦ World Wide Web: www.zurn.com

In Canada: ZURN INDUSTRIES LIMITED ♦ 3544 Nashua Drive ♦ Mississauga, Ontario L4V1L2 ♦ Phone: 905405-8272 Fax: 905405-1292