

T6C

1x4 LED Troffer

Product Description

Designed for easy contractor installation, the T6C LED Troffer features a pre-mounted driver and a maintenance-free, fully-sealed chamber with seamless Aluminum frame to keep bugs and dust out. The fixture utilizes a precision-engineered, textured diffuser to deliver maximum lumen output and optimal uniformity without revealing hot spots or shadowing. The T6C LED Troffer fits easily into standard ceiling grids and is available in 1x4, 2x2, and 2x4 configurations, making it ideal for new construction and retrofit projects.

Construction

- Extruded aluminum frame with powder coat finish
- Durable stamped housing
- High efficiency, fully sealed, maintenance-free LED chamber
- Smooth formed sides for safe handling

Optical System

- Patented internal optical system
- Precision engineered polystyrene diffuser
- High reflectivity internal coating
- No visible diodes, hot-spots, or shadows providing high uniformity, and reduced glare

Electrical

- Input voltage of 120-277VAC
- Full-range dimming via 0-10VDC controls
- 4kV surge protection standard
- TM-21 Reported L70(9k) life >54,000 hours
- LM-79, LM-80 testing performed in accordance with IESNA standards
- Meets FCC 15 Part B: 2016 Class A requirements

Mounting and installation

- Features a pre-mounted driver for contractor friendly installation
- Single cover plate with access to both line and low voltage connections.
- Can be installed in conventional suspended grid ceiling or drywall with an optional adaptor
- Integral grid tie clips with wire holes provided for seismic requirements
- Certified for direct contact with insulation
- Operating temperature rating of -4°F to 104°F (-20°C to 40°C)
- For installations where power surge may be possible, NICOR recommends installing additional surge protection at the fixture or electrical distribution panel

Finish

- Gloss white

Options

- High Voltage (347-480VAC) option
- Drywall adaptor/flange kit (FK14)
- Surface mount kit (TPE10SK14/SK14) converts T6C Series troffers into surface mount luminaires
- Emergency battery backup kit

Warranty

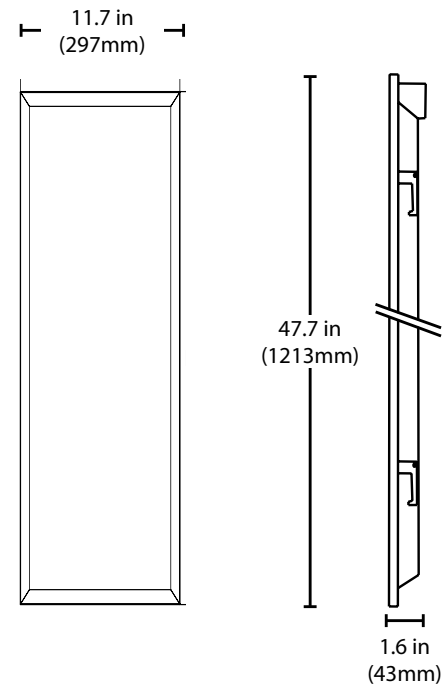
- 5-year limited system warranty standard
- Warranty does not cover product failure due to an overvoltage event (power surge.)

Project

Catalog

Type

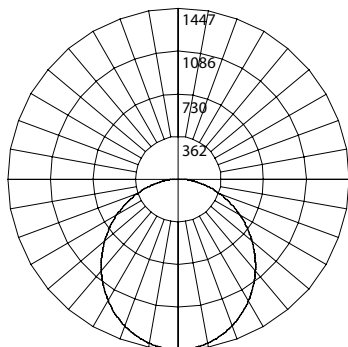
Date



Photometric Data

T6C14H 3500K

Input Voltage (VAC)	120-277
System Level Power (W)	31.7
Delivered Lumens (Lm)	4009
System Efficacy (Lm/W)	126.5
Correlated Color Temp (K)	3388
Color Rendering Index (CRI)	82
Beam Angle	109.6°
Spacing Criteria	1.24



Intensity Summary (Candle Power)

Angle	Mean CP
0	1446
10	1416
20	1330
30	1196
40	1025
50	826
60	610
70	389
80	182
90	0

CCT Data Multiplier

T6C14HU40	1.006
T6C14HU50	1.014

Cone of Light Tabulation

Mounted height (Feet)	Footcandles Beam Center	Diameter (Feet)
8	22.7	9.8
10	14.5	12.3
12	10.0	14.7
14	7.3	17.3

Zonal Lumen Summary

Zone	Lumens	% of Luminaire
0-30	1106	27.6%
0-40	1800	44.9%
0-60	3139	78.3%
0-90	4009	100%
90-180	0	0%
0-180	4009	100%

Fixture tested per LM-79-08. Photometric data is of the performance of a representative fixture. Results may vary in the field.

Performance Data

Model Number	Lumens	Watts	Lumens/Watt
T6C14HU35	4009	31.7	126.5
T6C14HU40	4032	31.7	127.2
T6C14HU50	4064	27.3	128.2

Recommended Dimmers*

Lutron NTSTV
Lutron DVSTV
Cooper SF10P
Legrand RH4FBL3PW

*Not a complete list. Check compatibility before installation.

Accessories

Surface Mount Kit TPE10SK14
Surface Mount Kit for use with EM SK14
Flange Kit TPE10FK14

Ordering Information

Example: T6C14SU40

Series	Size	Output	Voltage	CCT's	EM (Optional)
T6C	14 (1 x 4)	H (High)	U (120-277V)	35 (3500 K)	E1 (EMB045)
			H (347-480V)	40 (4000 K)	E2 (EMB080)
				50 (5000 K)	E3 (EMB250)

Specifications and dimensions subject to change without notice.

This device complies with part 15 of the FCC Rules. Operation is subject to the following two conditions: (1) This device may not cause harmful interference, and (2) this device must accept any interference received, including interference that may cause undesired operation.

NOTE: This equipment has been tested and found to comply with the limits for a Class A digital device, pursuant to part 15 of the FCC Rules. These limits are designed to provide reasonable protection against harmful interference when the equipment is operated in a commercial environment. This equipment generates, uses, and can radiate radio frequency energy and, if not installed and used in accordance with the instruction manual, may cause harmful interference to radio communications. Operation of this equipment in a residential area is likely to cause harmful interference in which case the user will be required to correct the interference at his own expense.