

Installation Instructions

Linear Drain

Record your model number:
Noter le numéro de modèle:
Anoté su número de modelo: _____

Français, page 15
Español, página 28

KOHLER®

Thank You for Choosing KOHLER

Need help? Contact our Customer Care Center.

USA/Canada: 1-800-4KOHLER (1-800-456-4537)

Mexico: 001-800-456-4537

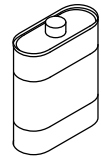
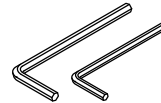
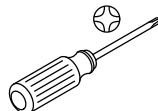
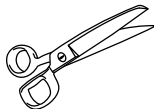
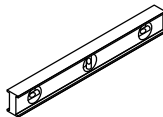
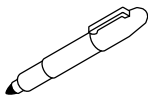
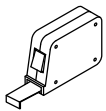
For service parts information, visit kohler.com/serviceparts.

For care and cleaning information, visit kohler.com/clean.

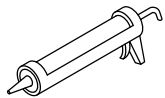
Warranty

This product is covered under the KOHLER® One-Year Limited Warranty, found at kohler.com/warranty. For a hardcopy of warranty terms, contact the Customer Care Center.

Tools and Materials



1/4", 4 mm Cleaning Solvent



100% Silicone Sealant

Plus (For Traditional Waterproofing):

- 2" Clamp-Down Drain Body

Plus (For Topical Waterproofing):

- 2" No-Hub Rubber Coupling
- PVC Pipe Cutter
- Liquid Waterproof Coating
- Fabric-Backed Waterproof Tape (Kohler Co. recommends Leak Stopper® Rubber Flexx or equivalent)

Before You Begin

NOTICE: Some drain installation steps will vary depending on your shower waterproofing method. When applicable, follow the steps that pertain to a **traditional** or a **topical** waterproofing method.

NOTE: Depending on the thickness of the finished shower surface, additional layers of backer board may be required to achieve a flush-to-wall drain installation.

Follow all local plumbing and building codes.

Drain grids (sold separately) are available to coordinate with the linear drain.

For Topical Waterproofing

- To avoid alignment issues, install a 2" PVC drain pipe when you are ready to install the drain.
- In situations with limited space to fit the included vertical outlet adapter or when connecting to an existing drain line, use the side outlet adapter kit K-28987 (sold separately).

For Traditional Waterproofing

- Install a 2" clamp-down drain body to the drain pipe, recessed into the subfloor.
- Construct a floor, pitched toward the drain.
- Apply a waterproof layer to the shower area.

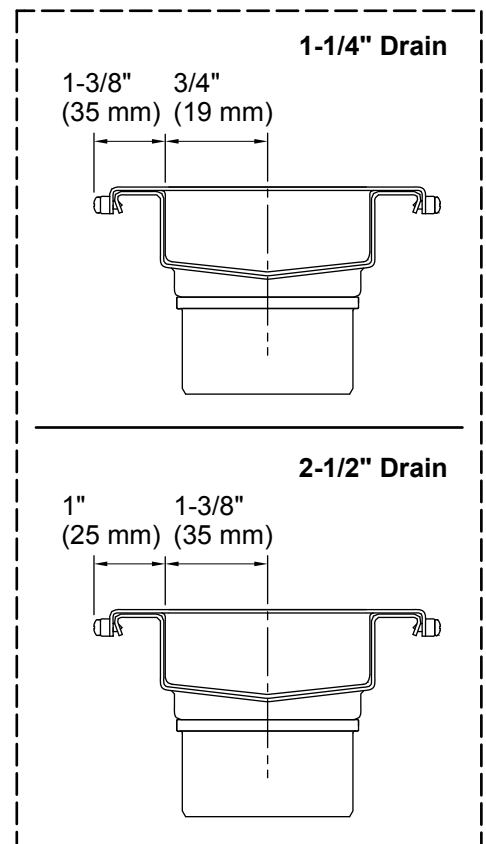
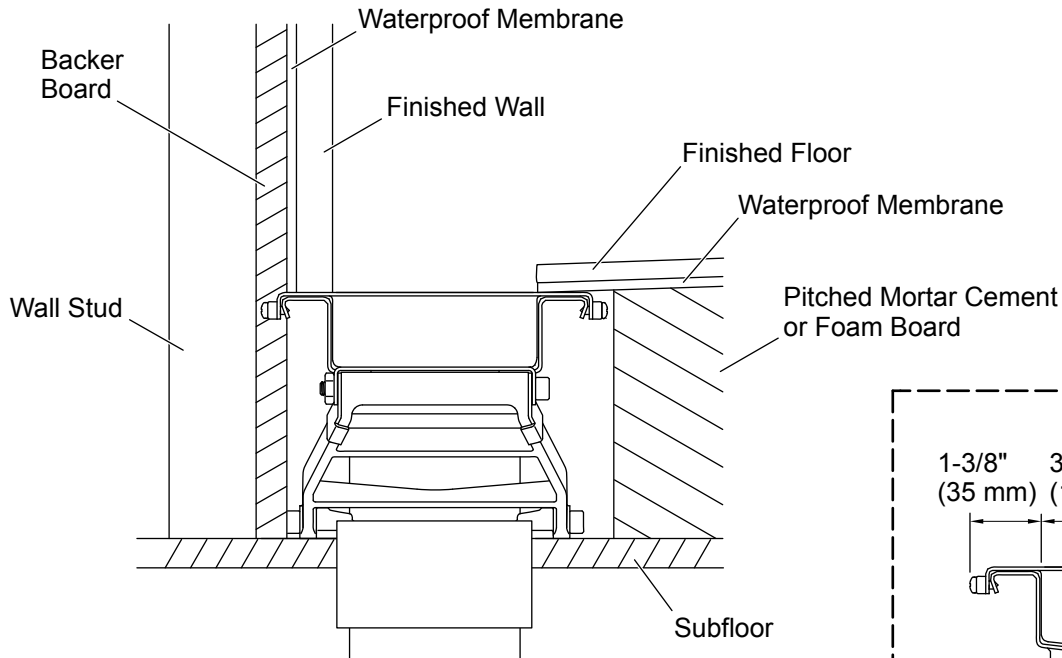
NOTE: Accepted traditional waterproofing methods include:

- Hot mop
- Lead or copper pan
- PVC or rubber liner
- Fiberglass

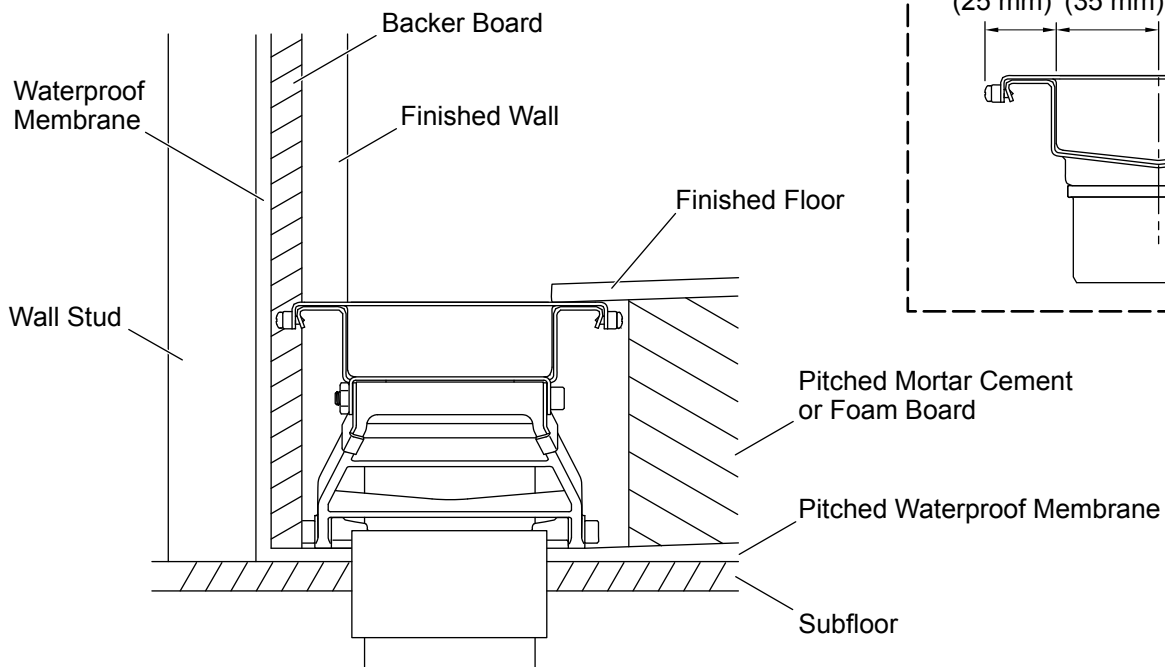
- Flood test the shower enclosure and check for leaks.

Roughing-In

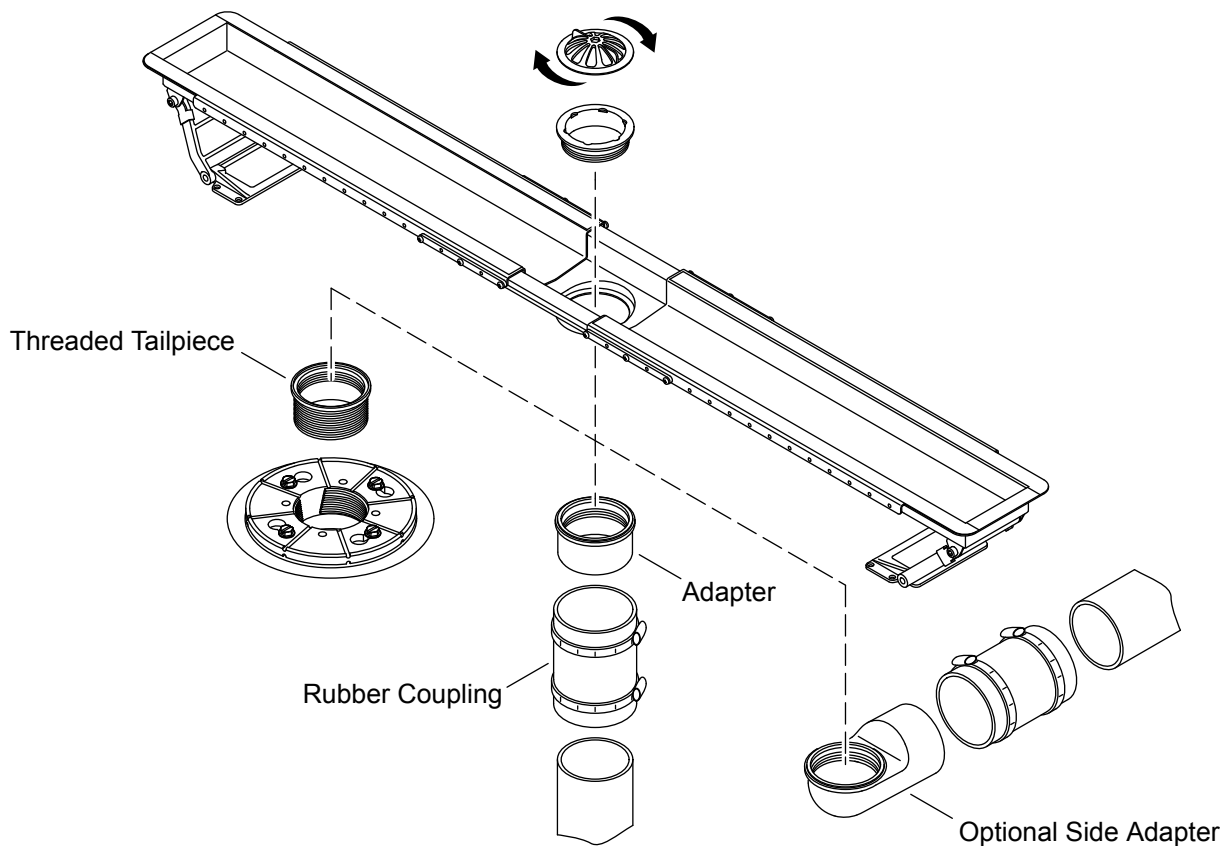
Typical Waterproofing Method



Traditional Waterproofing Method



1. Dry Fit the Drain



For Traditional Waterproofing Method

IMPORTANT! To determine the proper drain height, add the thickness of the thinset mortar, waterproofing, and finished floor. Refer to the “Roughing-In” section.

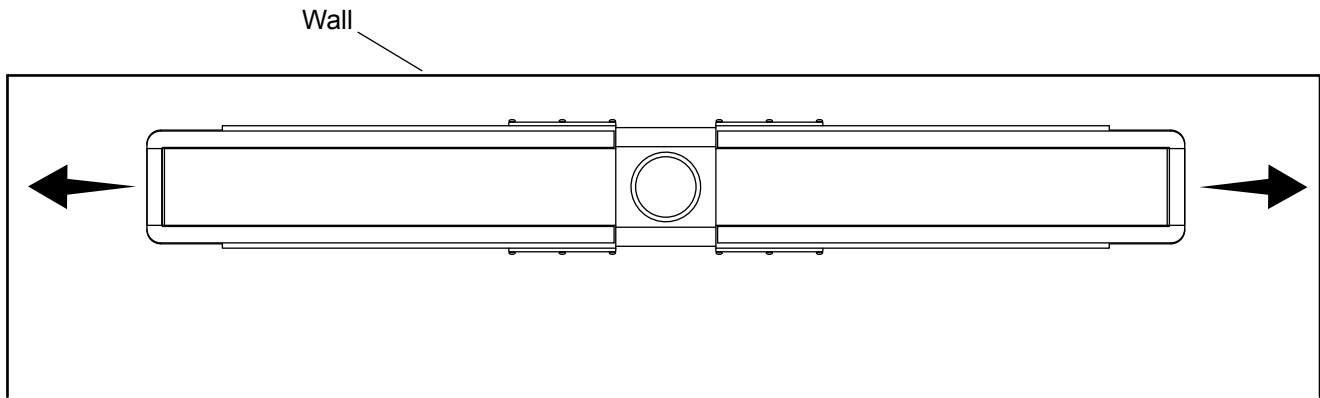
- Install the threaded tailpiece into the drain body to the desired height.
- Set the drain on the tailpiece.
- Using the strainer, turn the drain adapter clockwise into the tailpiece to loosely fit the drain assembly.

For Topical Waterproofing Method

NOTE: Moving or cutting the drain pipe may be required to achieve the proper drain height and position.

- Dry fit the adapter to the drain using the threaded collar and strainer. Use the side outlet adapter kit (not included) if necessary.
- Loose-fit the rubber coupling onto the drain pipe and the adapter.
- Use the leveling brackets as needed to stabilize and position the drain at the proper height.
- Confirm that the drain is level.

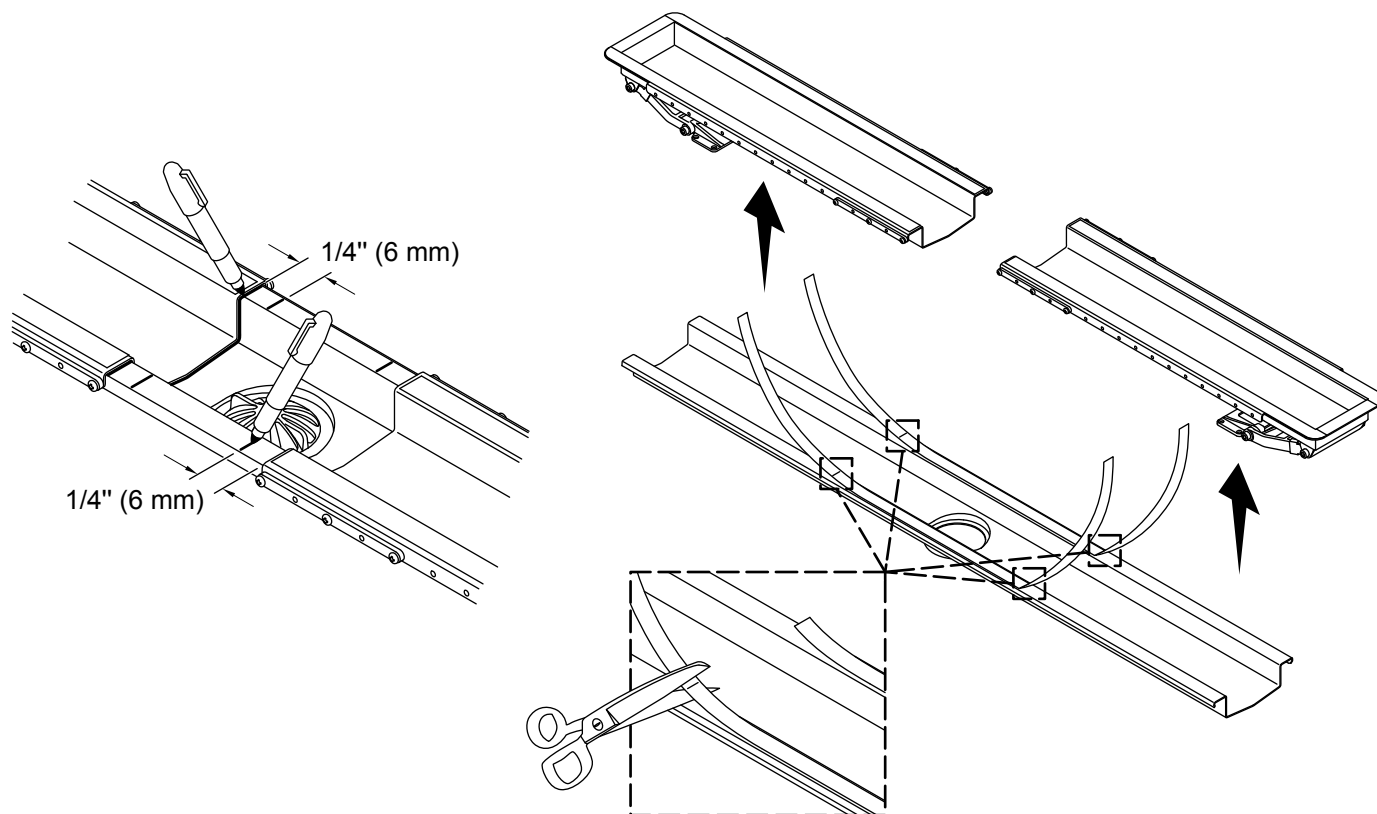
2. Set the Drain Position



NOTE: The length of the drain is adjustable from 36" (941 mm) to 60" (1524 mm).

- Position the drain parallel to the wall.
- Slide the side trays toward the walls.
- Position the inside walls of the drain to be flush with the finished wall surface. Refer to the "Roughing-In" section.

3. Prepare the Drain



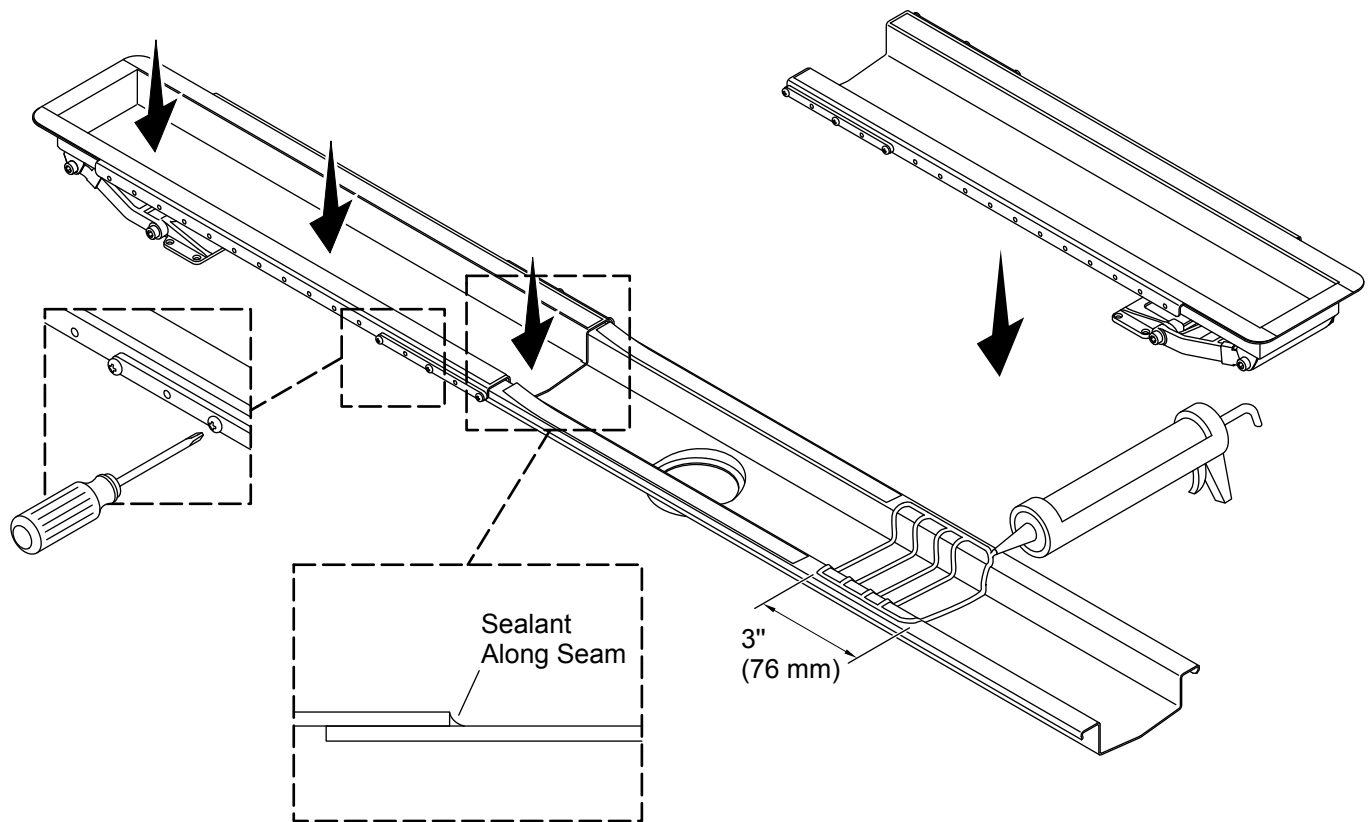
IMPORTANT! Use care to avoid scratching the drain surface when cutting the protective film.

- Using a permanent marker, trace the inner edge of both side trays to mark the locations on the drain.
- Mark the protective film 1/4" (6 mm) inward from the traced line.
- Remove the drain from the shower enclosure.

NOTE: For traditional waterproofing method: the threaded adapter should remain threaded into the drain body.

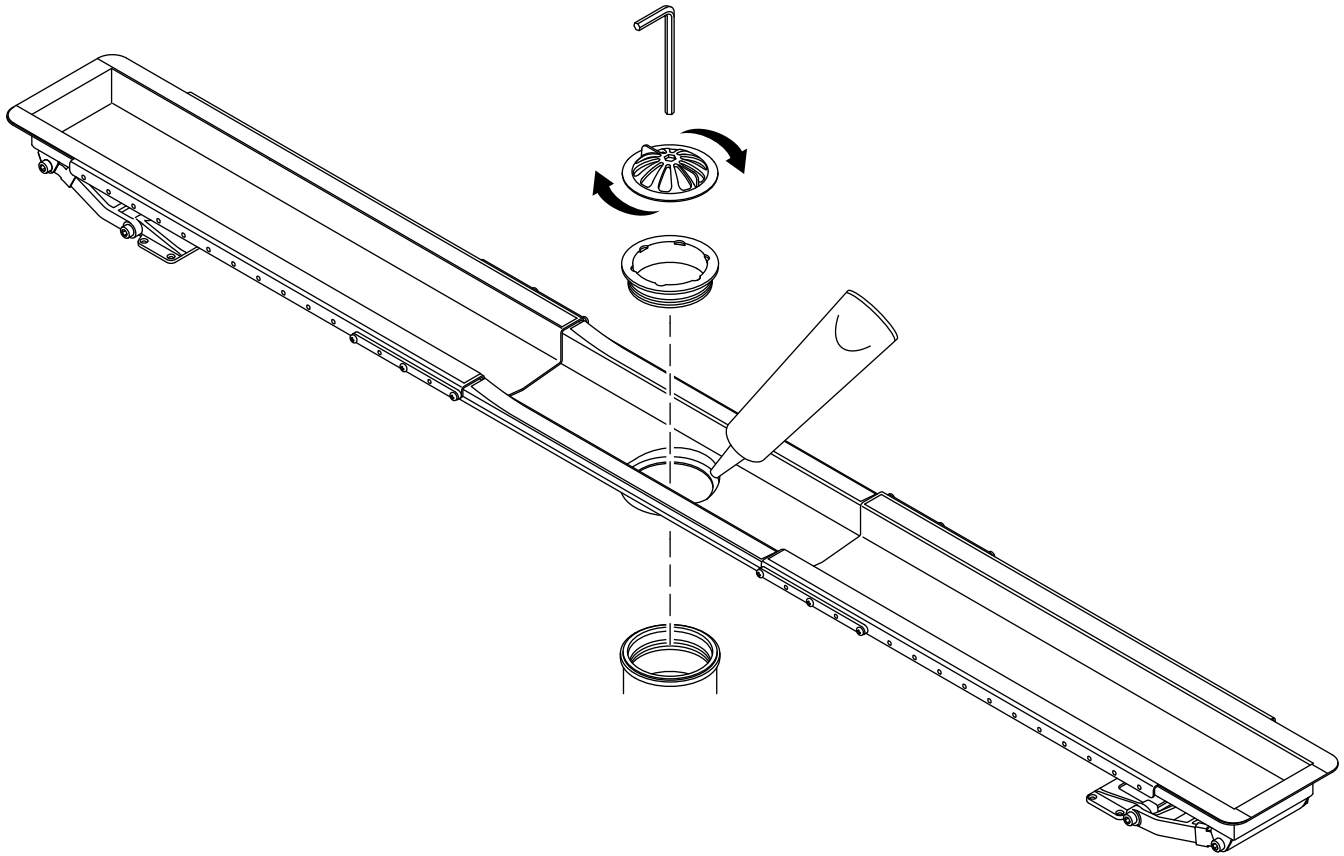
- Remove the side trays from the drain.
- Peel up the protective film past the marks on the film.
- Cut the protective film at the marked locations and discard.

4. Assemble the Drain



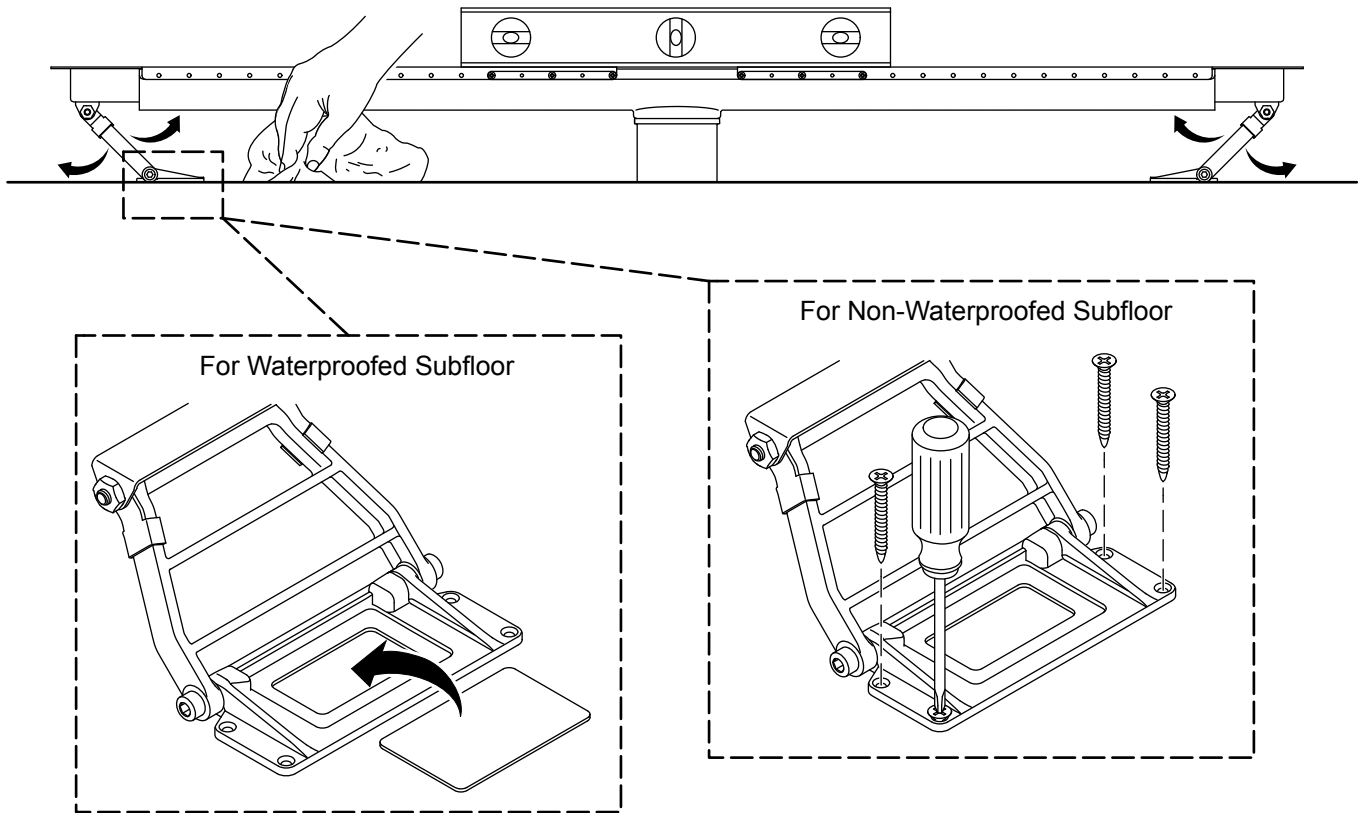
- Clean the drain surfaces with cleaning solvent, taking care not to wipe away the traced lines.
- Starting at the traced line, apply a minimum 3/8" (10 mm) continuous bead of 100% silicone sealant. Extend the sealant 3" (76 mm) from the traced line.
- Align the edge of the side tray with the traced line, and firmly press the tray into the drain.
- Securely tighten the screws on each side of the tray.
- Verify that a visible bead of sealant presses out along the full edge. If sealant is not visible, remove the tray and apply more 100% silicone sealant.
- Remove excess sealant. Leave a small seam.
- Repeat for the other side tray.

5. Install the Drain Assembly



- Reposition the drain into the shower enclosure.
- Apply a continuous bead of 100% silicone sealant to the inner edge of the drain hole.
- Insert the threaded collar and secure to the threaded tailpiece or adapter using the strainer.
- If needed, further tighten the strainer using a 1/4" hex wrench.

6. Level and Secure the Drain



⚠ CAUTION: Risk of property damage. For the traditional waterproofing method, do not install screws. Use care not to puncture or damage the waterproof layer.

- Pivot the leveling brackets down against the subfloor.
- Place a level on the drain flange, and adjust the brackets until the drain is level and in the proper position.
- If needed, tighten the brackets in position using a 4 mm hex wrench.

Secure to Waterproofed Subfloor

- Ensure that the area under the leveling brackets is dry and free of dust or debris.
- Remove the film from the provided adhesive patch and position over the opening on the bracket.
- Press down and hold the patch for 10 seconds to adhere the bracket to the subfloor. Supplement with alternative adhesive as desired.
- Repeat for the other bracket.
- Verify the drain height and position relative to the finished walls. Make adjustments as needed.

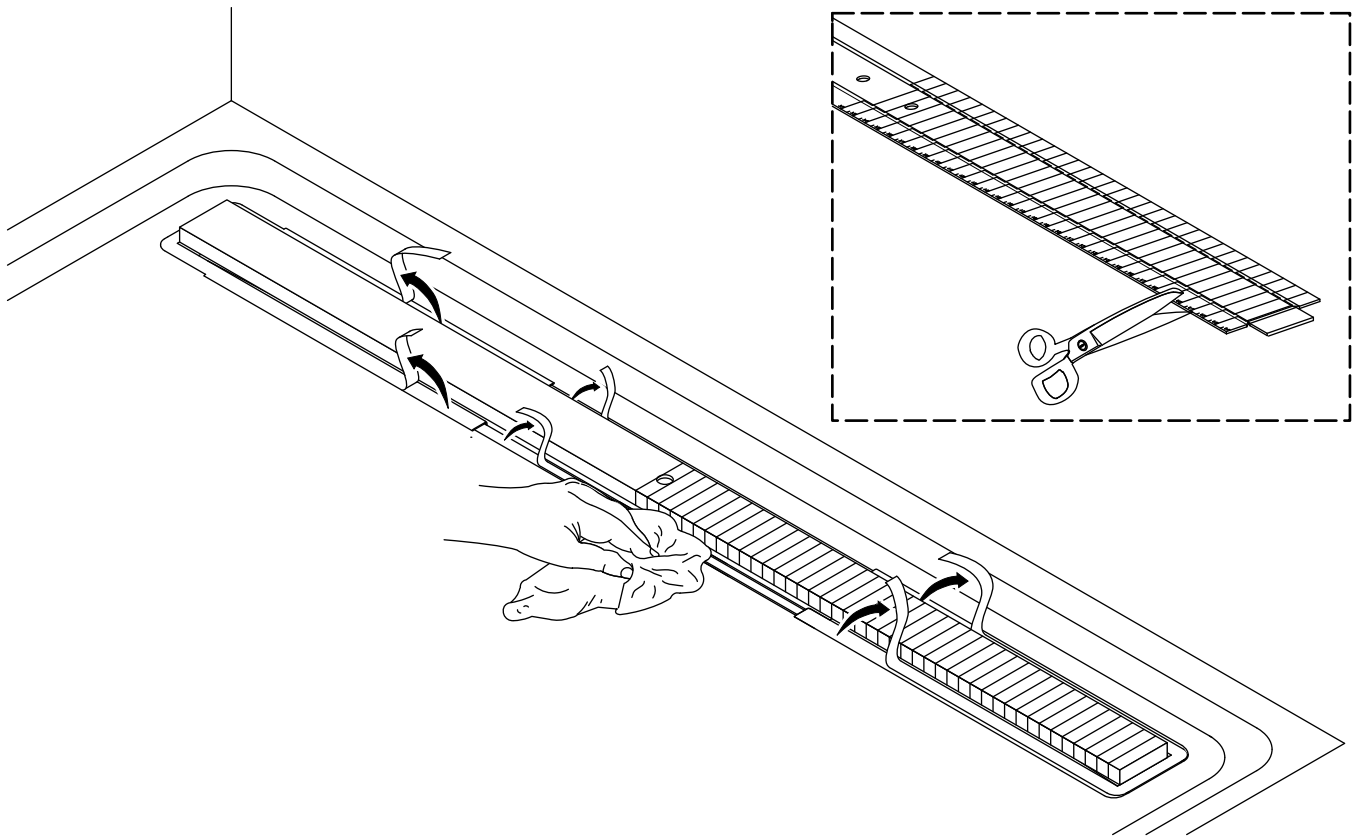
Secure to Non-Waterproofed Subfloor

- Use four screws to secure each bracket to the wood subfloor.
- Verify the drain height and position relative to the finished walls. Make adjustments as needed.

For the Topical Waterproofing Method

- Tighten the rubber coupling to secure the drain to the drain pipe.

7. Install the Pitched Floor



IMPORTANT! If installing a cement floor, check the level of the drain throughout the process of pouring the cement to ensure that the drain has not moved.

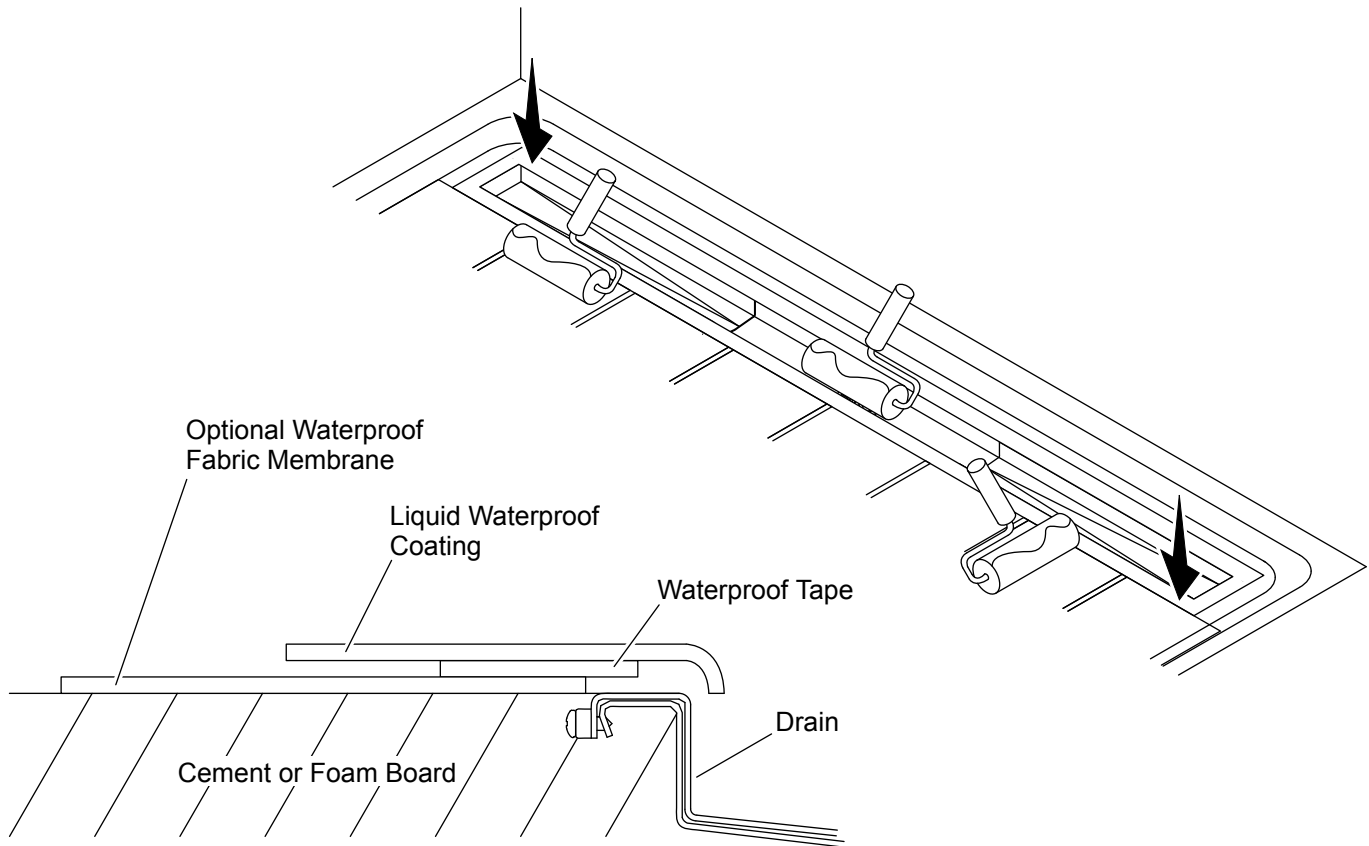
Install the Tile Guide

- Measure the inner length of the drain.
- Unfold the tile guide and cut to appropriate length.
- Fold and fit the tile guide into the drain.

Install the Pitched Floor

- Install surrounding backer board.
- Install a pitched mortar cement or foam board floor flush to the top surface of the drain flange. Refer to the “Roughing-In” section.
- Allow cement to cure according to the manufacturer's instructions.
- Remove the protective film from the drain flange.
- Clean and remove any excess debris from the drain.
- For Topical Waterproofing Method:** Proceed to the “Install the Waterproof Layer” section.
- For Traditional Waterproofing Method:** Proceed to the “Complete the Installation” section.

8. Install the Waterproof Layer (Topical Waterproofing)



- Remove the tile guide.
- Adhere waterproof tape around the entire perimeter of the drain with a minimum 1/4" (6 mm) overlap onto the drain flange. Refer to the manufacturer's instructions for proper application.
- Verify that the waterproof tape is fully pressed along the flange seams and to the surrounding cement, foam board, or waterproof fabric.
- Apply liquid waterproof coating with a minimum 1/4" (6 mm) overlap onto the drain flange.
- Allow the coating to cure according to the manufacturer's instructions.
- Flood test the shower enclosure and check for leaks.
- Reinstall the tile guide.
- Proceed to the "Complete the Installation" section.

9. Complete the Installation

NOTICE: Drain grids (sold separately) are available to coordinate with the linear drain. For a tile-in drain grid, it is recommended to complete the drain grid installation simultaneously with the finished floor.

NOTE: Reference the tile guide to determine proper placement of the surrounding edge tiles. Additional tile edging may also be installed along the cut tile edge.

- Complete the finished floor.
- Leave the tile guide installed until you are ready to install the drain grid.
- Follow the instructions provided with the drain grid.