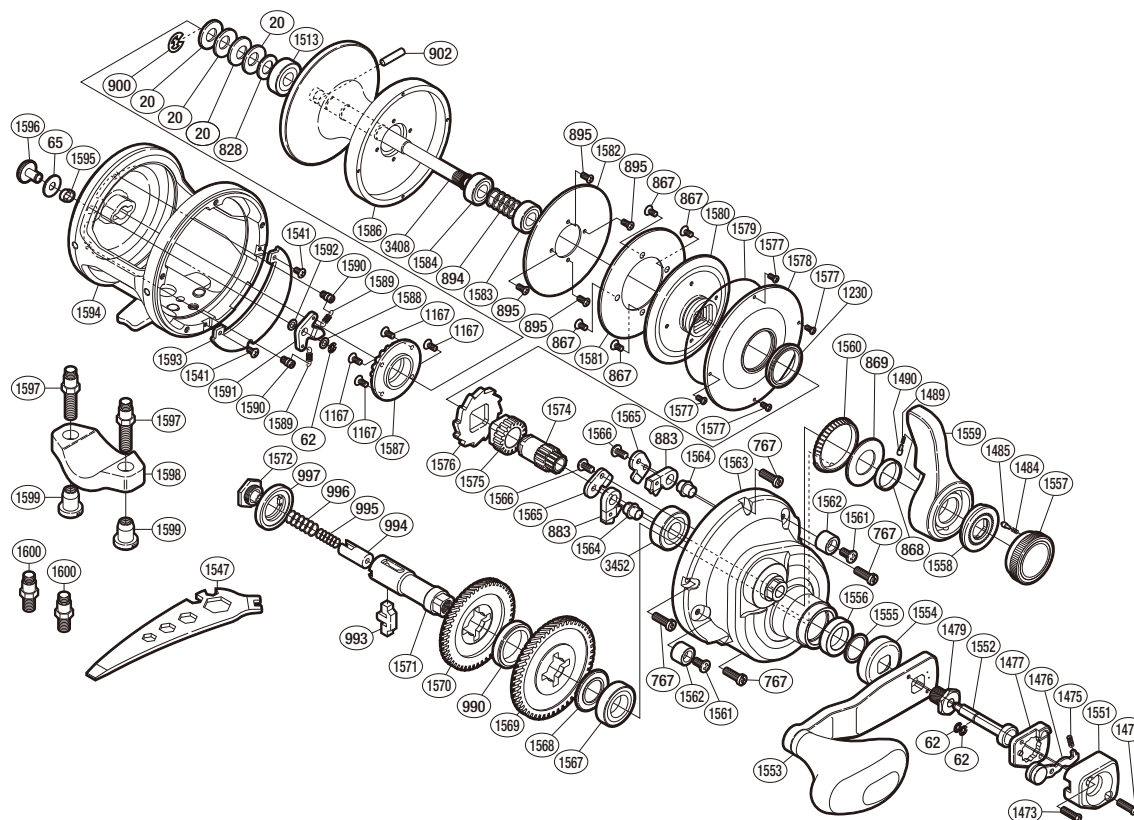


SHIMANO

TALICA

TAC-12II



(51RJ261012U)

#	Part No.	Description	#	Part No.	Description	#	Part No.	Description
0020	1052C	Coned Disc Spring	1490	10C3V	Lever Click	1578	104R2	Cooling Shield
0062	105NK	E Lock	1513	104VJ	Ball Bearing	1579	10EZ3	O Ring
0065	104H2	Spacer	1541	10LVE	Screw	1580	10HUY	Pinion Guard
0767	10M6X	Screw	1551	109XG	Push Button Shield	1581	10G4F	Drag Plate
0828	104L7	Bearing Thrust Washer	1552	109XB	Push Low Button Shaft	1582	10G3U	Drag Washer
0867	10MGG	Screw	1553	102VM	Handle	1583	104Q5	Ball Bearing
0868	108DN	Lever Thrust Ring	1554	10KZS	Drive Shaft Shield	1584	104Q7	Ball Bearing
0869	10J19	Washer	1555	10G9V	Washer	1586	10GYS	Spool
0883	10MWC	Anti-Reverse Pawl	1556	109AR	Drive Gear Bushing	1587	106AS	Click Gear Support
0894	1060C	Pressure Release Spring	1557	108F9	Pre-Program Dial	1588	10GA5	Spacer
0895	10MPN	Screw	1558	10CCA	Lever Shaft Body	1589	104B0	Click Pawl Spring
0900	105RZ	E Lock	1559	108BD	Drag Control Lever	1590	108W4	Click Spring Shaft
0902	10MCU	Cross Pin	1560	10F6B	Lever Click Gear	1591	10GQW	Click Pawl
0990	10D61	Friction Washer	1561	10M6J	Screw	1592	10GA6	Spacer
0993	10KXH	Gear Select Cross Bar	1562	10CAC	Bolt Shield	1593	105WQ	Set Plate
0994	10KXL	Cross Bar Stop	1563	109G2	Right Side Plate	1594	10KBJ	One-Piece Frame
0995	109VM	Drive Shaft Spring B	1564	10PNB	Anti-Reverse Pawl Pin	1595	104MS	Click Switch Cam
0996	10KXQ	Drive Shaft Spring	1565	10KVF	Anti-Reverse Pawl Keeper	1596	104GX	Click Button
0997	10D5B	Friction Washer	1566	103CH	Screw	3408	10S2Z	Spool Shaft
1167	10MGL	Screw	1567	10KXA	Ball Bearing	3452	10T2K	Ball Bearing
1230	10EWA	Waterproof Ring	1568	10D5Z	Drive Gear Washer			
1473	10M2N	Screw	1569	10QKF	Drive Gear A			
1475	10PWJ	Slide Plate Spring	1570	109WW	Drive Gear B			
1476	10NL8	Slide Plate	1571	10D6L	Drive Shaft	1597	10JC1	Rod Clamp Bolt (Accessory)
1477	10PBN	Handle Bolt Plate	1572	10FCD	Drive Shaft Screw	1598	10AS1	Rod Clamp (Accessory)
1479	106XP	Handle Bolt	1574	10A4J	Pinion Gear A	1599	10JCD	Rod Clamp Nut (Accessory)
1484	10K07	Click Spring	1575	10N9M	Pinion Gear B	1600	10CXU	Rod Clamp Bolt S (Accessory)
1485	10JX6	Click Pin	1576	10DAM	Anti-Reverse Ratchet			
1489	10C3X	Lever Click Shoe	1577	10PRU	Screw	1547	10MJ8	Wrench (Accessory)

Please note that the number of adjusting washers may not be the same as shown in the exploded views.
(Adjustment will vary with each individual product.)

(230306)_003