

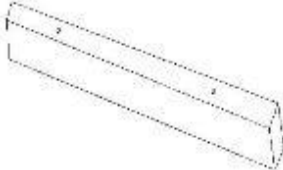
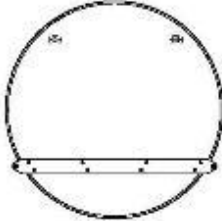
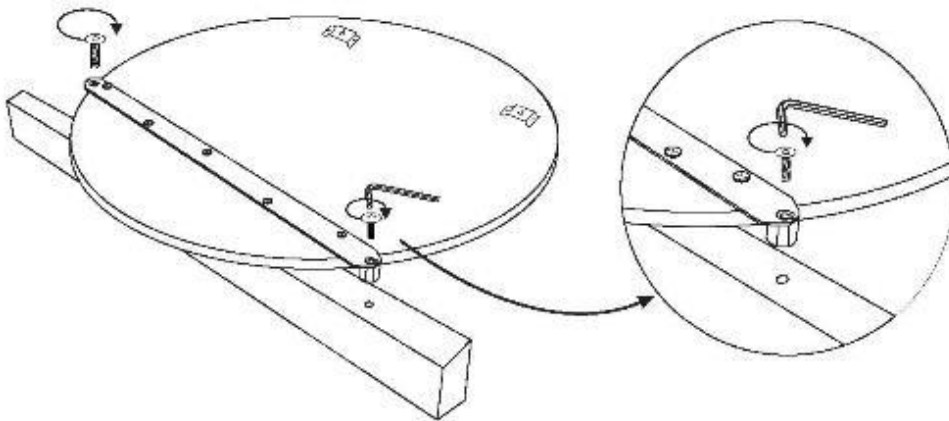


ASSEMBLY INSTRUCTIONS

Fossett Round Mirror with Wood Shelf

<p>x2+1 EXTRA</p>  <p>Allen Screws</p>	<p>x1</p>  <p>Allen Key</p>	 <p>Wooden Shelf</p>	 <p>Mirror with MDF back & pre-attached metal</p>
---	--	--	--

STEP 1



Place mirror on the shelf and secure with the help of Allen screw as shown.

ASSEMBLED

