

SCHOOLHOUSE

Factory 7 Cord Pendant

Application: Pendant

Product Origin: Processed and assembled in Portland, Oregon using ethically-sourced domestic and global components.

UL Listed: Yes

Max Wattage: 150 W

Voltage: 120/220 V

Location Rating: Damp

Dimensions:

Choice of Length: 20 - 84"

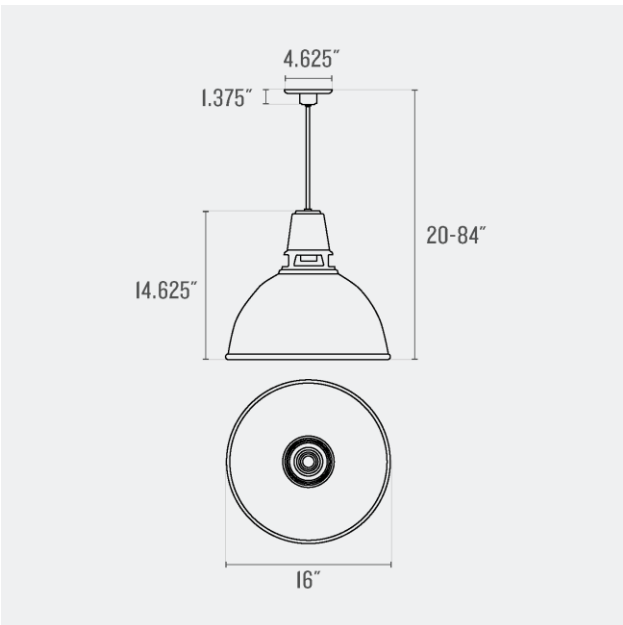
Overall: 16" W x 16" D

Shade: 14.625" H x 16" W x 16" D

Canopy: 1.375" H x 4.625" W x 4.625" D

Materials: Aluminum, Steel

One year guarantee



SCHOOLHOUSE

Color Option(s)



Industrial
Yellow-Gloss
(INY-G)



Navy-Gloss
(NV-G)



Dune-Gloss
(DU-G)



Chamomile-
Gloss
(CE-G)



Shell White-
Gloss
(SWT-G)



Lichen-Gloss
(LN-G)



Black-Gloss
(BK-G)



Paprika, Gloss
(PPA-G)



Juniper-Gloss
(JPR-G)



Persimmon-
Gloss
(PS-G)



Ecru-Gloss
(EC-G)



Butterscotch-
Gloss
(BU-G)



Alder-Gloss
(AGR-G)



Pebble-Gloss
(PEB-G)

Cord Option(s)



Black Cloth
Covered Vinyl
(BCV)

SCHOOLHOUSE

Factory 7 Cord LED Pendant

Application: Pendant

Product Origin: Processed and assembled in Portland, Oregon using ethically-sourced domestic and global components.

UL Listed: Yes

Wattage: 13 W

Voltage: 120 V

Location Rating: Damp

Dimensions:

Choice of Length: 20 - 84"

Overall: 16" W x 16" D

Shade: 14.625" H x 16" W x 16" D

Canopy: 1.375" H x 4.625" W x 4.625" D

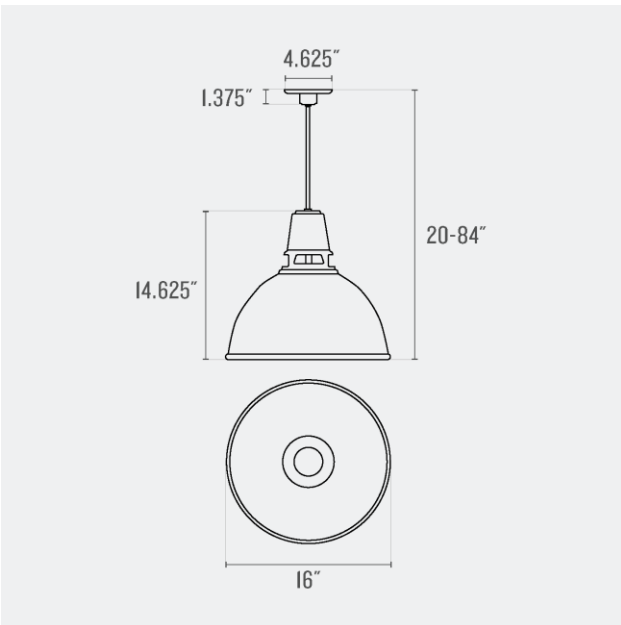
Materials: Aluminum, Steel

Hour Life: 50,000 hrs

Color Temperature: 3000K

Color Rendering Index: 80 CRI

One year guarantee



SCHOOLHOUSE

Color Option(s)



Shell White-Gloss
(SWT-G)



Persimmon-Gloss
(PS-G)



Butterscotch-Gloss
(BU-G)



Ecrú-Gloss
(EC-G)



Chamomile-Gloss
(CE-G)



Black-Gloss
(BK-G)



Navy-Gloss
(NV-G)



Lichen-Gloss
(LN-G)



Juniper-Gloss
(JPR-G)



Dune-Gloss
(DU-G)



Pebble-Gloss
(PEB-G)



Alder-Gloss
(AGR-G)



Paprika, Gloss
(PPA-G)



Industrial
Yellow-Gloss
(INY-G)

Cord Option(s)



Black Cloth
Covered Vinyl
(BCV)