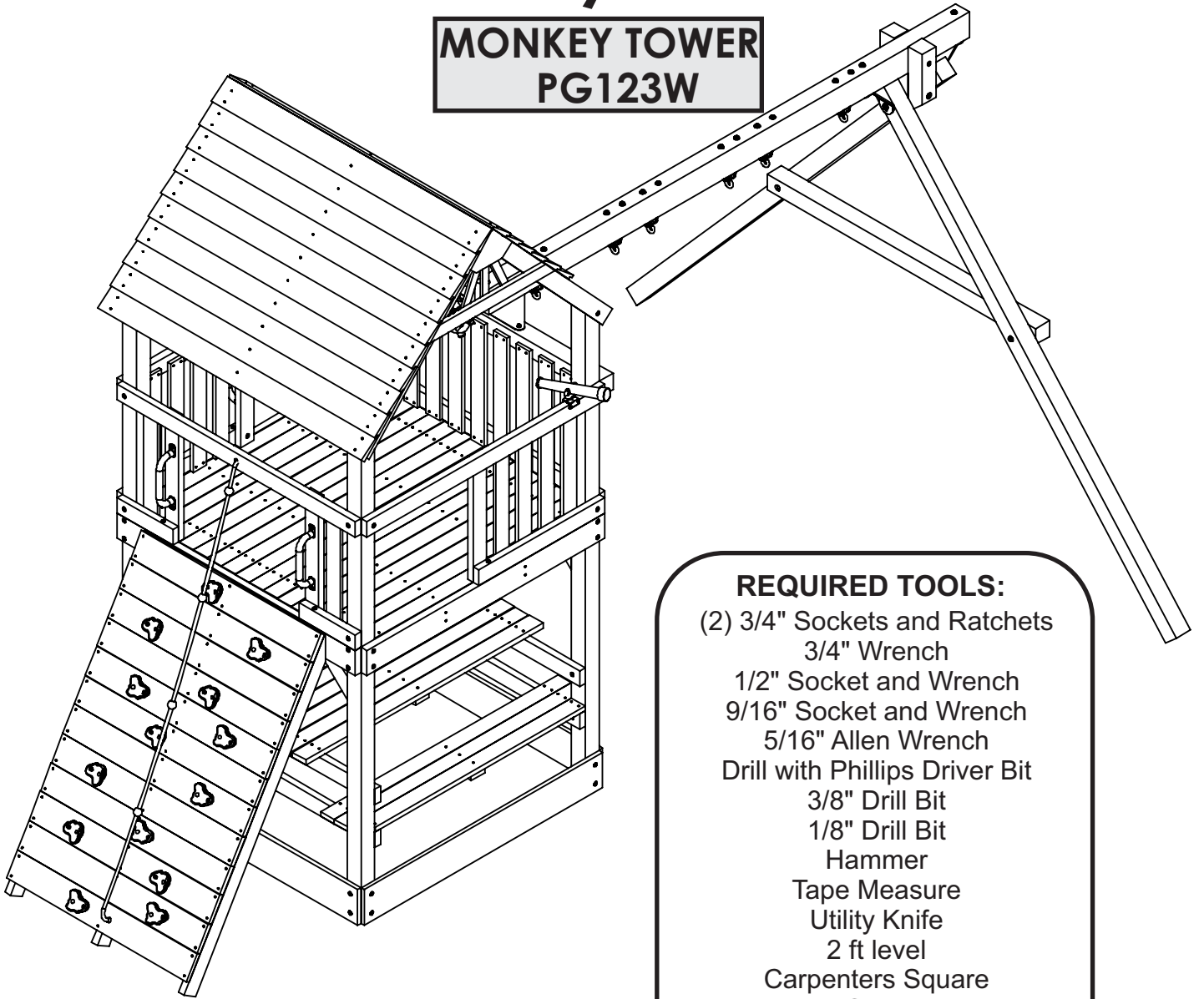


# ChildLife<sup>®</sup>

## Playsets

**MONKEY TOWER  
PG123W**



### **REQUIRED TOOLS:**

- (2) 3/4" Sockets and Ratchets
- 3/4" Wrench
- 1/2" Socket and Wrench
- 9/16" Socket and Wrench
- 5/16" Allen Wrench
- Drill with Phillips Driver Bit
- 3/8" Drill Bit
- 1/8" Drill Bit
- Hammer
- Tape Measure
- Utility Knife
- 2 ft level
- Carpenters Square
- 6' to 8' Step Ladder

### **RECOMMENDED TOOLS:**

- Impact Driver
- (2) Saw Horses
- (4) Bar Clamps or C-Clamps

**PG-MA-0021-01**

# I N T R O D U C T I O N

Welcome to our family of ready-to-build backyard play equipment. CHILDLIFE playsets are designed with ease of assembly in mind and we provide these step-by-step installation instructions.

After reading the information below, locate your structure site and carefully unpack parts. As you unpack your playset, keep the parts identification sheet handy and become familiar with each part before beginning assembly. **Remember that a little extra time spent familiarizing yourself with the parts and instructions before you begin will help you avoid mistakes and save you time later.**

## Choosing A Location For Your Playset

When selecting your structure site, always keep the child's safety in mind. Here are some recommendations to help you create a safe play area.

A. The playset should be located on level ground. The stationary components such as ladders and slides are **REQUIRED** to be a minimum of six feet from any structure or obstruction such as a fence, garage, house, tree or overhanging branches, electrical wires or clotheslines. Any swinging equipment is also **REQUIRED** to be a minimum distance twice the height of the swing beam away from these obstructions or structures as well. We also recommend that you do not install your playset near a lake, river, swimming pool or other water hazard.

B. The U.S. Consumer Product Safety Commission (CPSC) recommends that you install and maintain a resilient surface under your play equipment. The CPSC's Consumer Information Sheet for Playground Surfacing Materials at the end of this manual. A resilient surface, should be installed after the equipment has been completely assembled according to these instructions. The equipment must rest on solid ground. Please note that this product has a maximum fall height of 8'.

Do not install home playground equipment indoors, or over concrete, asphalt, packed earth, grass, carpet or any other hard surface. A fall onto a hard surface can result in serious or fatal injury.

Responsible on-site adult supervision is one of the most important contributions to children's safety that you can make. CHILDLIFE strongly recommends on-site adult supervision of children of all ages. Safe swinging and climbing skills need to be taught to children, just like any other physical activity.

The weight limit for any single user on CHILDLIFE play equipment is 200 pounds. Limit the number of users to one on each swing. The tower portion of the play system will accommodate four (4) additional users.

When the time comes to disassemble and dispose of the play equipment, do so in such a way that no hazards will exist at the time the equipment is discarded.

## Maintaining Your Playset

Here are some maintenance tips required to insure safe enjoyment of your equipment for years to come.

A. At the beginning of each usage season and every two weeks during, check: nuts and bolts and tighten as needed, swing seats, chains, ladders, slides, rope and wood components for signs of deterioration and replace if necessary.

B. On a yearly basis, we recommend that you coat your playset with a sealant or preservative. You may also want to spot sand any areas prior to sealing. Be sure that the sealant you select is non-toxic and child safe.

C. Do not use line trimmers or "weed eaters" around your play equipment. The line will remove both stain and wood from uprights and base pieces. Any damage resulting from this type of abuse is not covered under our limited warranty.

D. Remove plastic swing seats and take indoors or do not use when the temperature drops below 0° F.

**If you have any questions about your playset, or are in need of replacement parts, call 1-800-GO-SWING.  
Please keep these instructions for future reference.**

# SAFETY INSTRUCTIONS

## Teach Children:

- Not to walk close to, in front of, behind, or between moving items.
- Not to twist the swing ropes, or loop them over the top support bar, since this may reduce the strength of the rope.
- Not to swing empty swing seats.
- Not to swing sideways into the path of adjacent swings.
- Not to use the equipment in a manner other than that for which it is intended.
- Not to get off the equipment while it is in motion.
- Not to jump off the tower.
- Not to climb or swing when they are wet or when the equipment is wet.
- To sit in the center of the swings with their full weight on the seats.
- To hold on to swings and climbers with both hands.
- Not to stand in the swing seats.
- Not to ride or leave bicycles or other toys in the swing area.
- Not to use hammers, saws, nails, or wrenches on the equipment.
- Not to swing so high that chains become slack, or above the height of the swing support.
- Not to jump on a slide.
- Not to climb on top of the swing support.
- Not to attach to the playground equipment any item that is not specifically designed for use with the equipment, such as (but not limited to) jump ropes, clotheslines, pet leashes, cables, and chains. These may become strangulation hazards.
- To slide feet first, never head first.
- To watch for other children while swinging or playing near the equipment.

## In Addition, Adults Must:

- Limit climbing and swinging heights to each child's ability.
- Verify that suspended climbing ropes are secured at both ends.
- Verify that suspended climbing ropes cannot be looped back on themselves.
- Dress children appropriately for play. Use well-fitting shoes that do not have slippery soles.
- Avoid ponchos, scarves, hoods, loose-fitting clothing, neckties, and any clothing with a drawstring. Serious injury could result should any part of the children's clothing become entangled in the equipment.
- Do not allow children to play wearing helmets.
- Remember that children are inventive. When they develop games that are unsafe, be alert and change the rules.

# STANDARD PARTS LIST

## PG123W MONKEY TOWER BASE

ITEM #	PART #	DESCRIPTION	QTY.
1	PG-44-0001	Corner Post WR	2
2	PG-44-0002	Corner Post SB	2
3	PG-26-0001	Deck Facia	2
4	PG-26-0002	Deck Facia with Joist Holes	2
5	PG-44-0003	Deck Support	2
6	PG-18-0001	Sandbox Side	4
7	PG-24-0001	Safety Full with Rope Hole	1
8	PG-24-0002	Safety Rail	6
9	PG-14-0001	Panel Slat	23
10	PG-44-0004	Swing Beam Support	1
11	PG-14-0002	Deck Board Short	2
12	PG-14-0003	Deck Board Long	15
13	PG-24-0003	Floor Joist	2
14	PG-24-0004	Panel Divider	2
15	PG-24-0005	Deck Frame Half	2
62	PG-44-0018	Angled brace	4
64	PG-14-0021	Long Panel Slat	1
34	PG-24-0012	Ladder side	2

## PG123W MONKEY TOWER BASE HARDWARE

ITEM #	PART #	DESCRIPTION	QTY.
42	PG-HW-B001	3/8-16 x 6.5 Hex Bolt	6
43	PG-HW-N003	3/8" Acorn Nut	2
44	PG-HW-S002	#8 X 1.25 Round Head Screw	4
45	PG-HW-W002	1/4" Flat Washer	2
47	PG-HW-W003	5/16" Flat Washer	60
60	PG-HW-L007	5/16 x 2" Hex Lag Screw	4
48	PG-HW-L003	5/16 x 2.5" Hex Lag Screw	18
51	PG-HW-W001	#10 Flat Washer	34
40	PG-HW-W004	3/8" Flat Washer	12
80	PG-HW-W007	FW1(3/8" 1.46X19.03X8.7)	1
52	PG-HW-S001	#10 X 1 Round Head Screw	34
53	PG-HW-L004	5/16 x 3" Hex Lag Screw	38
61	PG-HW-L005	5/16 x 4" Hex Lag Screw	1
54	PG-HW-S003	#8 X 1.5 Screw	198
56	PG-HW-L002	1/4 x 4.5" Hex Lag Screw	2
57	PG-HW-S005	#8X3 PH FLAT HD WDSCR	8
41	PG-HW-N001	3/8 Nylon locknut	6

## PG123W MONKEY TOWER BASE ACCESSORIES

ITEM #	PART #	DESCRIPTION	QTY.
39	PG-AC-0004	Telescope	1
38	PG-AC-0005	Ships wheel(Small)	1
37	PG-AC-0002	Small Handle(Yellow)	2
83	PG-AC-0011	Name plate	1
35	PG-AC-0001	ladder tread	5

**MONKEY TOWER WALL**

ITEM #	PART #	DESCRIPTION	QTY.
16	PG-24-0006	Deck Frame Open	2
17	PG-24-0007	Rock Wall Support	3
18	PG-54-0002	Climbing Wall Board Center	4
19	PG-54-0001	Climbing Wall Board Outer	5
20	PG-54-0003	Climbing Wall Board Double	2
21	PG-54-0004	Climbing Wall Board with Rope Hole	1

**MONKEY TOWER WALL  
HARDWARE**

ITEM #	PART #	DESCRIPTION	QTY.
45	PG-HW-W002	1/4" Flat Washer	2
56	PG-HW-L002	1/4 x 4.5" Hex Lag Screw	2
44	PG-HW-S002	#8 X 1.25 Round Head Screw	14
49	PG-HW-N002	3/8"-16 X 1/2" T-NUT	14
50	PG-HW-B002	3/8- 16 x 1.5" Socket Head Screw	14
51	PG-HW-W001	#10 Flat Washer	18
55	PG-HW-S004	#8X2 PH FLAT HD WDSCR	72
47	PG-HW-W003	5/16" Flat Washer	3
53	PG-HW-L004	5/16 x 3" Hex Lag Screw	3
52	PG-HW-S001	#10 X 1 Round Head Screw	4

**MONKEY TOWER WALL  
ACCESSORIES**

ITEM #	PART #	DESCRIPTION	QTY.
22	PG-AC-0003	Climbing Rock	14
21	PG-AC-0006	Rope	1
37	PG-AC-0002	Small Handle	2

# STANDARD PARTS LIST

## MONKEY TOWER PICNIC TABLE

ITEM #	PART #	DESCRIPTION	QTY.
24	PG-54-0006	Picnic Table Board Long	13
23	PG-54-0005	Picnic Table Board Short	2
26	PG-24-0009	Picnic Table Seat Backboard	2
8	PG-24-0002	Safety Rail	3
25	PG-24-0008	Picnic Table Top Backboard	1

## PICNIC TABLE HARDWARE

ITEM #	PART #	DESCRIPTION	QTY.
47	PG-HW-W003	5/16" Flat Washer	6
53	PG-HW-L004	5/16 x 3" Hex Lag Screw	6
55	PG-HW-S004	#8X2 PH FLAT HD WDSCR	75

## MONKEY TOWER WOOD ROOF

ITEM #	PART #	DESCRIPTION	QTY.
27	PG-24-0010	Rafter	4
28	PG-26-0003	Roof Board	18
29	PG-24-0011	Roof Backboard	2
63	PG-26-0020	End Roof Board	2
30	PG-54-0007	Roof Triangle	2
31	PG-54-0008	Roof Strap	2
32	PG-54-0009	Roof Decoration Center	2
33	PG-54-0010	Roof Decoration Outer	4
14	PG-24-0004	Panel Divider	2

## MONKEY TOWER WOOD ROOF HARDWARE

ITEM #	PART #	DESCRIPTION	QTY.
54	PG-HW-S003	#8 X 1.5 Screw	100
47	PG-HW-W003	5/16" Flat Washer	8
53	PG-HW-L004	5/16 x 3" Hex Lag Screw	4
55	PG-HW-S004	#8X2 PH FLAT HD WDSCR	12
52	PG-HW-S001	#10 X 1 Round Head Screw	12
60	PG-HW-L007	5/16 x 2" Hex Lag Screw	4

# STANDARD PARTS LIST

## MONKEY TOWER VINYL ROOF

ITEM #	PART #	DESCRIPTION	QTY.
8	PG-24-0002	Safety Rail	3
81	PG-44-0064	4x4 roof support	2

## MONKEY TOWER VINYL ROOF HARDWARE

ITEM #	PART #	DESCRIPTION	QTY.
61	PG-HW-L005	5/16 x 4" Hex Lag Screw	4
47	PG-HW-W003	5/16" Flat Washer	10
51	PG-HW-W001	#10 Flat Washer	10
52	PG-HW-S001	#10 X 1 Round Head Screw	10
53	PG-HW-L004	5/16 x 3" Hex Lag Screw	6

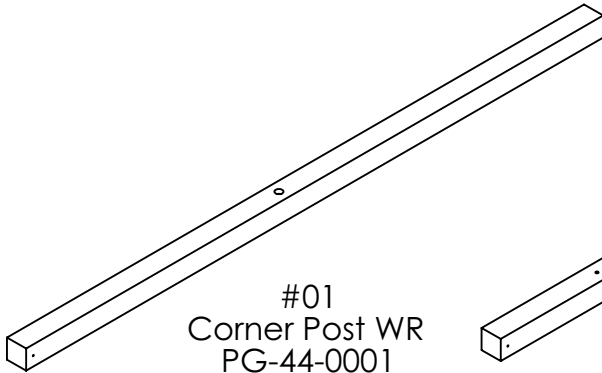
## MONKEY TOWER VINYL ROOF ACCESSORIES

ITEM #	PART #	DESCRIPTION	QTY.
82	PG-AC-0018	50"X94" vinyl roof	1

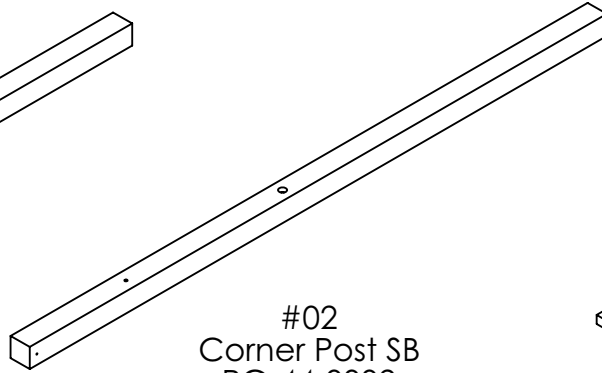
## SWING BEAM

ITEM #	PART #	DESCRIPTION	PG204 QTY.	PG205 QTY.
79	PG-46-0001	116 1/2" 3 Position Head Beam		1
79	PG-46-0005	104" 2 Position Head Beam	1	
76	PG-44-0006	112" A Frame Leg	2	2
77	PG-44-0005	65"a-frame Cross Brace	1	1
74	PG-44-0008	U-joint Center Space Block	1	1
75	PG-44-0007	U-joint Outside	2	2
40	PG-HW-W004	3/8" Flat Washer	24	32
41	PG-HW-N001	3/8" Nylon Locknut	11	15
84	PG-HW-N008	3/8" Standard Nut	2	2
85	PG-HW-W007	3/8" Lock Washer	2	2
42	PG-HW-B001	3/8"-16 X 6.5" Hex Bolt	10	14
86	PG-HW-B011	3/8-16 X 6.5 Carriage Bolt	2	2
66	PG-HW-N005	1/2"-13 Acorn Nut	2	2
69	PG-HW-B005	1/2"-13 X 11.5" Hex Bolt	1	1
70	PG-HW-W005	1/2" Flat Washer	6	6
71	PG-HW-B004	1/2"-13 X 10" Hex Bolt	1	1
68	PG-HW-N004	1/2"-13 Nylon Locknut	2	2
47	PG-HW-W003	5/16" Flat Washer	7	7
65	PG-HW-L006	5/16" X 5" Lag Screw	4	4
43	PG-HW-N003	3/8"-16 Acorn Nut	2	2
62	PG-HW-L003	5/16" X 2.5" Lag Screw	3	3
67	PG-HW-B003	3/8"-16 X 9" Hex Bolt	1	1
87	PG-AC-0008	Belt Swing Green W/chain	1	1
87	PG-AC-0009	Belt Swing Yellow W/chain	1	1
78	PG-HW-M003	Angle Bracket	2	2
73	PG-HW-M004	Triangle Swing Beam Plate	1	1
72	PG-HW-M002	Ductile Swing Hanger	4	6
88	PG-AC-0010	Trapeze Set		1
89	PG-HW-M008	Spring Clip	4	6

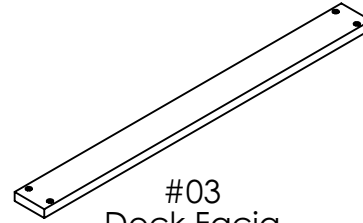
# STANDARD PARTS



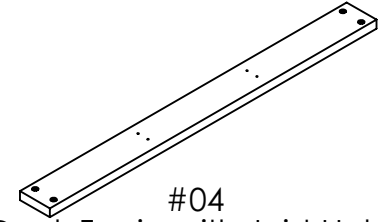
#01  
Corner Post WR  
PG-44-0001  
(2)



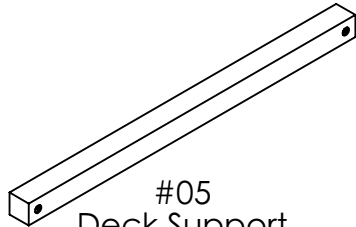
#02  
Corner Post SB  
PG-44-0002  
(2)



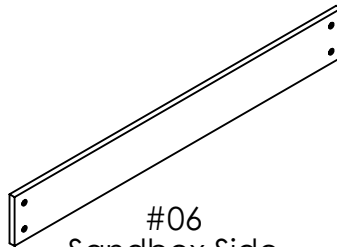
#03  
Deck Facia  
PG-26-0001  
(2)



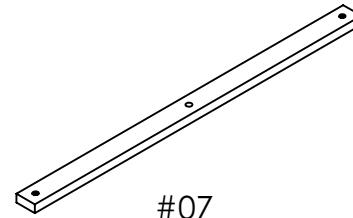
#04  
Deck Facia with Joist Holes  
PG-26-0002  
(2)



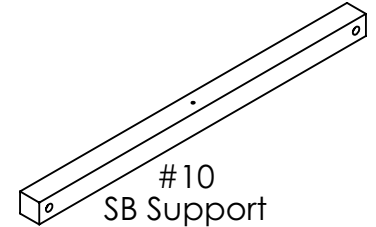
#05  
Deck Support  
PG-44-0003  
(2)



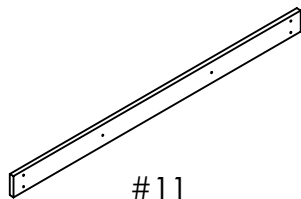
#06  
Sandbox Side  
PG-18-0001  
(4)



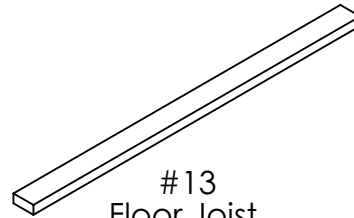
#07  
Safety Rail With Rope Hole  
PG-24-0001  
(1)



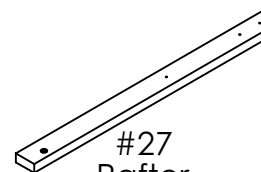
#10  
SB Support  
PG-44-0004  
(1)



#11  
Deck Board Short  
PG-14-0002  
(2)



#13  
Floor Joist  
PG-24-0003  
(2)



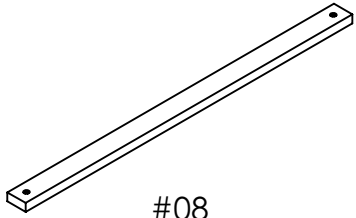
#27  
Rafter  
PG-24-0010  
(4)



#26  
Picnic Table Seat Backboard  
PG-24-0009  
(2)



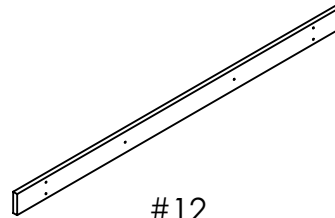
# STANDARD PARTS



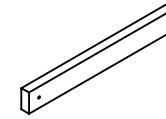
#08  
Safety Rail  
PG-24-0002  
(7)



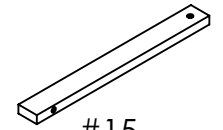
#09  
Panel Slat  
PG-14-0001  
(18)



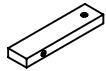
#12  
Deck Board Long  
PG-14-0003  
(15)



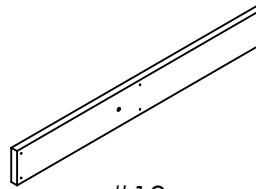
#14  
Panel Divider  
PG-24-0004  
(4)



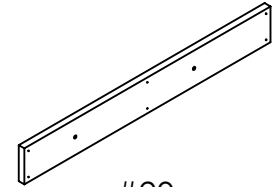
#15  
Deck Frame Half  
PG-24-0005  
(2)



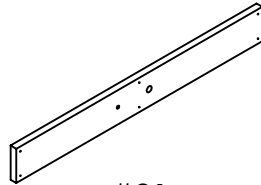
#16  
Deck Frame Open  
PG-24-0006  
(2)



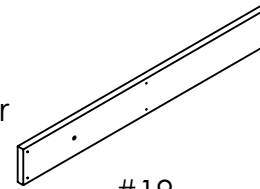
#18  
Climbing Wall Board Center  
PG-54-0002  
(4)



#20  
PG-54-0003  
Climbing Wall Board Double  
(2)



#21  
Climbing Wall Board - Rope  
PG-54-0004  
(1)



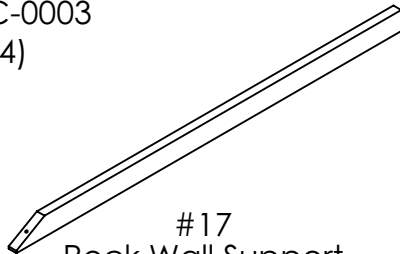
#19  
Climbing Wall Board Outer  
PG-54-0001  
(5)



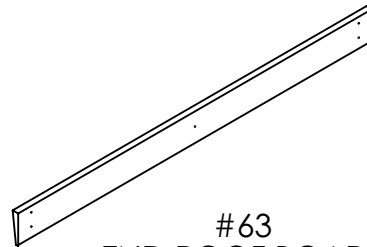
#22  
Climbing Rock  
PG-AC-0003  
(14)



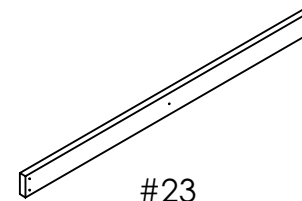
#25  
Picnic Table Top Backboard  
PG-24-0008  
(1)



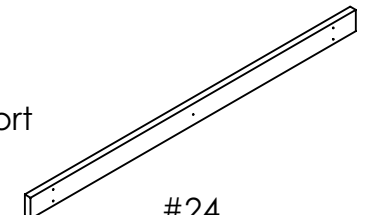
#17  
Rock Wall Support  
PG-24-0007  
(3)



#63  
END ROOF BOARD  
PG-26-0020  
(2)

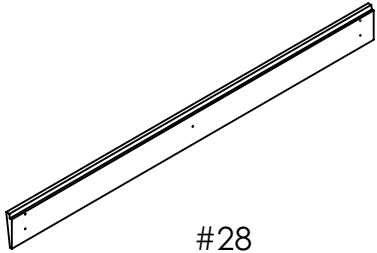


#23  
Picnic Table Board Short  
PG-54-0005  
(2)

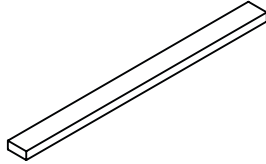


#24  
Picnic Table Board Long  
PG-54-0006  
(13)

# STANDARD PARTS



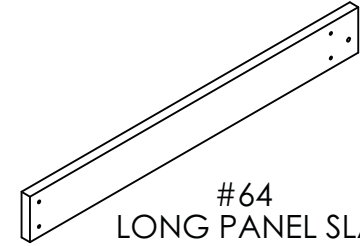
#28  
Roof Board  
PG-26-0003  
(18)



#29  
Roof Backboard  
PG-24-0011  
(2)



#30  
Roof Triangle  
PG-54-0007  
(2)



#64  
LONG PANEL SLAT  
PG-14-0021  
(1)



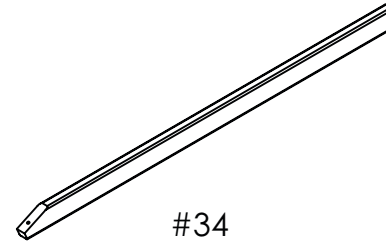
#31  
Roof Strap  
PG-54-0008  
(2)



#32  
Roof Decoration Center  
PG-54-0009  
(2)



#33  
Roof Decoration Outer  
PG-54-0010  
(4)



#34  
Ladder Side  
PG-24-0012  
(2)



#35  
Ladder Tread  
PG-AC-0001  
(5)



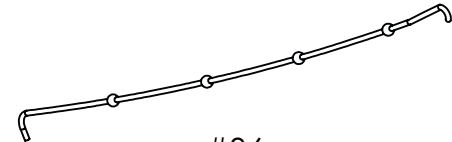
#39  
Telescope  
PG-AC-0004  
(1)



#38  
Ships Wheel  
PG-AC-0005  
(1)



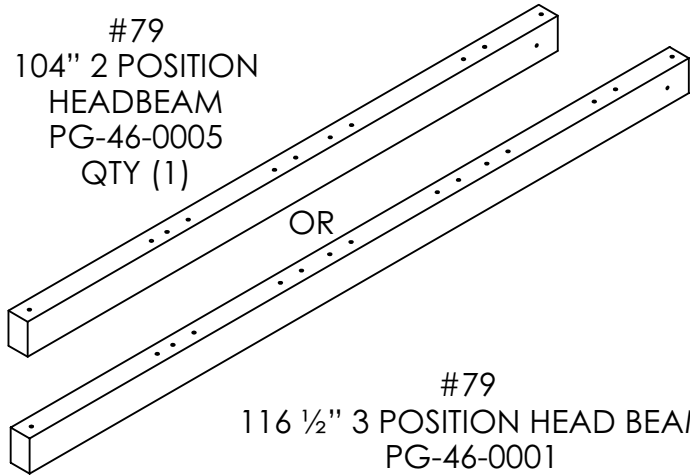
#37  
Small Handle  
PG-AC-0002  
(4)



#36  
Climbing Rope  
PG-AC-0006  
(1)

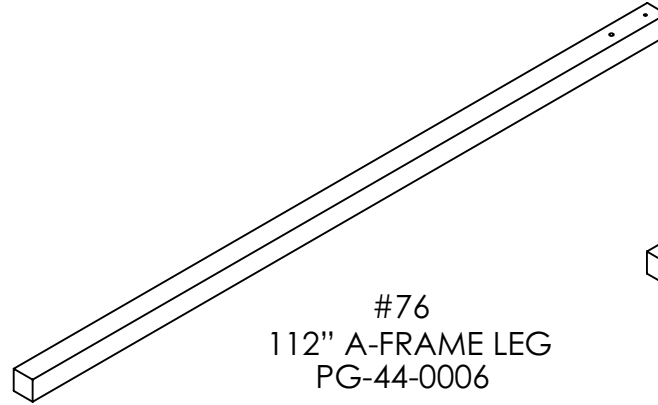
# STANDARD PARTS

#79  
104" 2 POSITION  
HEADBEAM  
PG-46-0005  
QTY (1)

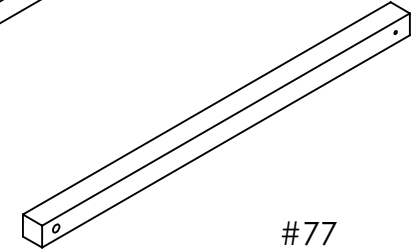


OR

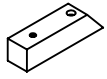
#79  
116 1/2" 3 POSITION HEAD BEAM  
PG-46-0001  
(1)



#76  
112" A-FRAME LEG  
PG-44-0006  
(2)



#77  
65" A-FRAME CROSSBRACE  
PG-44-0005  
(1)



#75  
U-JOINT OUTSIDE  
PG-44-0007  
(2)



#74  
U-JOINT CENTER SPACE BLOCK  
PG-44-0008  
(1)



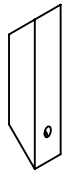
#78  
ANGLE BRACKET  
PG-HW-M003  
(2)



#73  
TRIANGLE SWING BEAM PLATE  
PG-HW-M004  
(1)



#72  
DUCTILE SWING HANGER  
PG-HW-M002  
(6)



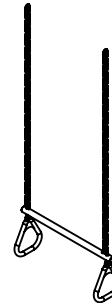
#62  
ANGLED BRACE  
PG-44-0018  
(4)



#83  
NAME PLATE  
PG-AC-0011  
(1)



#89  
SPRING CLIP  
PG-HW-M008  
QTY (6)



#88  
TRAPEZE SET  
PG-AC-0010  
(1)

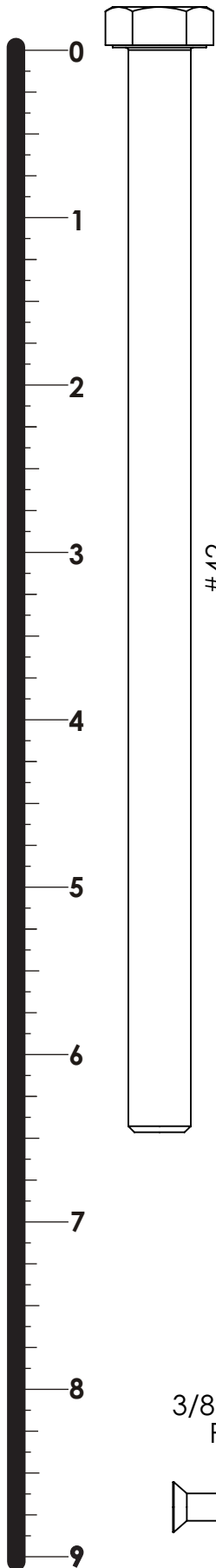


#87  
Belt swing green w/chain  
PG-AC-0008 (1)  
Belt swing Yellow w/chain  
PG-AC-0009 (1)

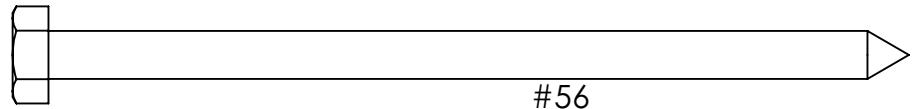
**NOTE TO INSTALLER**

You must assemble this product in accordance with these Assembly Instructions.  
After assembly is complete, please give this Owner's Manual to the owner of the play system.

**Measurement taken from bottom of bolt head to the bottom of bolt**



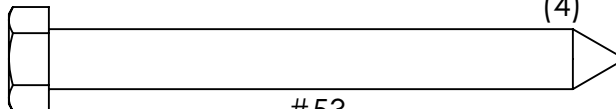
#42  
3/8"-16 x 6.5" Hex Bolt  
PG-HW-B001  
(20)



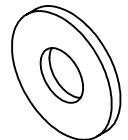
#56  
1/4" x 4.5" Hex Lag Screw  
PG-HW-L002  
(4)



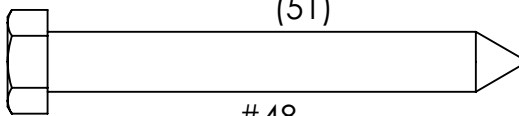
#51  
#10 Flat Washer  
PG-HW-W001  
(52)



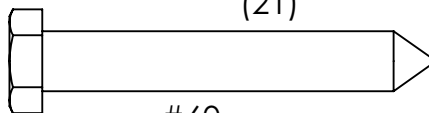
#53  
5/16" x 3" Hex Lag Screw  
PG-HW-L004  
(51)



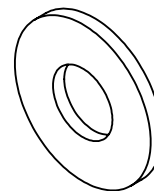
#45  
1/4" Flat Washer  
PG-HW-W002  
(4)



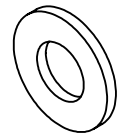
#48  
5/16" x 2.5" Hex Lag Screw  
PG-HW-L003  
(21)



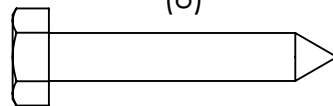
#60  
5/16" x 2" Hex Lag Screw  
PG-HW-L007  
(8)



#40  
3/8" Flat Washer  
PG-HW-W004  
(44)



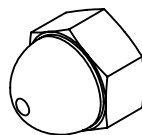
#47  
5/16" Flat Washer  
PG-HW-W003  
(84)



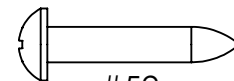
#46  
1/4" x 1.5" Hex Lag Screw  
PG-HW-L001  
(8)



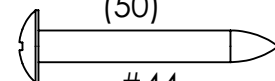
#49  
3/8"-16 X 1/2" T-NUT  
PG-HW-N002  
(14)



#43  
3/8"-16 Acorn Nut  
PG-HW-N003  
(5)



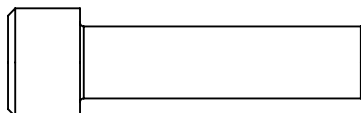
#52  
#10 X 1" Round Head Screw  
PG-HW-S001  
(50)



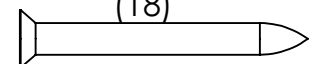
#44  
#8 X 1.25" Round Head Screw  
PG-HW-S002  
(18)



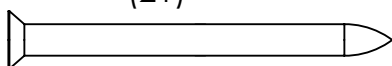
#41  
3/8" Nylon Locknut  
PG-HW-N001  
(21)



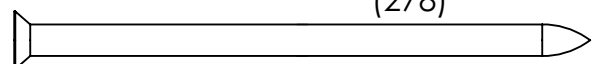
#50  
3/8"- 16 x 1.5" Socket Head Screw  
PG-HW-B002  
(14)



#54  
#8 X 1.5" Screw  
PG-HW-S003  
(278)



#55  
#8X2" PH FLAT HD WDSCR  
PG-HW-S004  
(159)

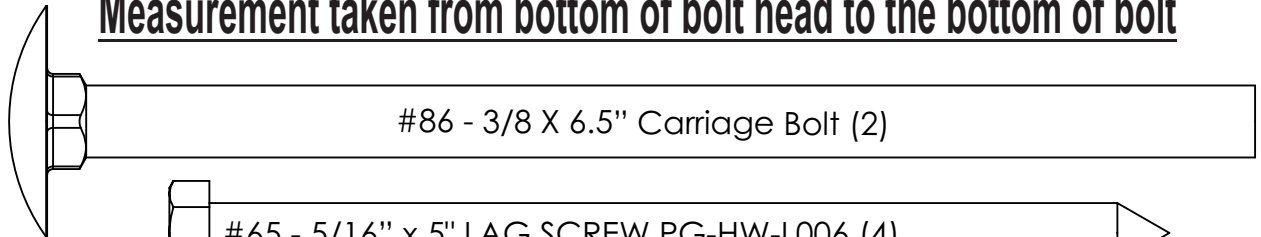


#57  
#8X3" PH FLAT HD WDSCR  
PG-HW-S005  
(8)

**NOTE TO INSTALLER**

You must assemble this product in accordance with these Assembly Instructions.  
After assembly is complete, please give this Owner's Manual to the owner of the play system.

**Measurement taken from bottom of bolt head to the bottom of bolt**



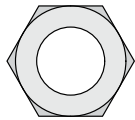
#86 - 3/8 X 6.5" Carriage Bolt (2)



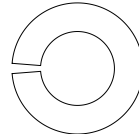
#65 - 5/16" x 5" LAG SCREW PG-HW-L006 (4)



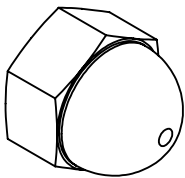
#61 - 5/16" x 4" LAG SCREW PG-HW-L005 (1)



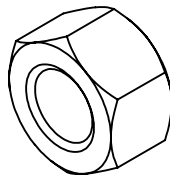
#84 (3/8" Standard Nut)  
2 Pcs.



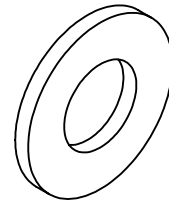
#85 (3/8" Lock Washer)  
2 pcs



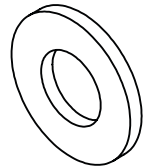
#66  
PG-HW-N005  
1/2"-13 ACORN NUT  
(2)



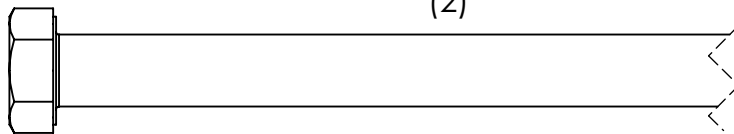
#68  
PG-HW-N004  
1/2" NYLON LOCK NUT  
(2)



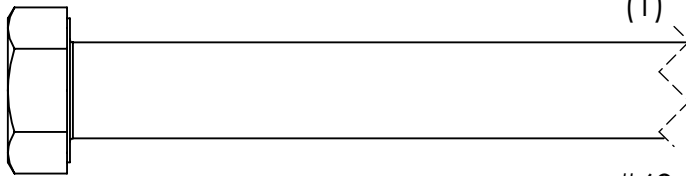
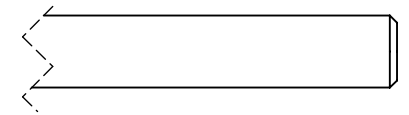
#70  
PG-HW-W005  
1/2" FLAT WASHER  
(6)



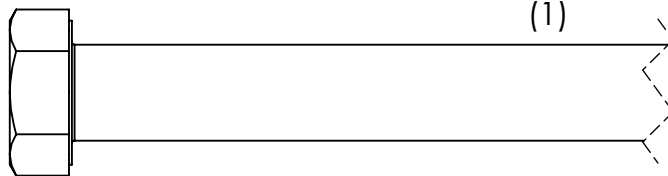
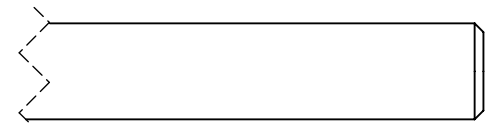
#80  
PG-HW-W007  
3/8" STANDARD  
WASHER (1)



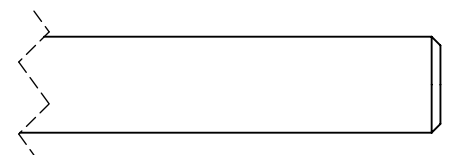
#67  
PG-HW-B003  
3/8"-16 X 9" HEX BOLT  
(1)



#69  
PG-HW-B005  
1/2"-13 X 11.5" HEX BOLT  
(1)



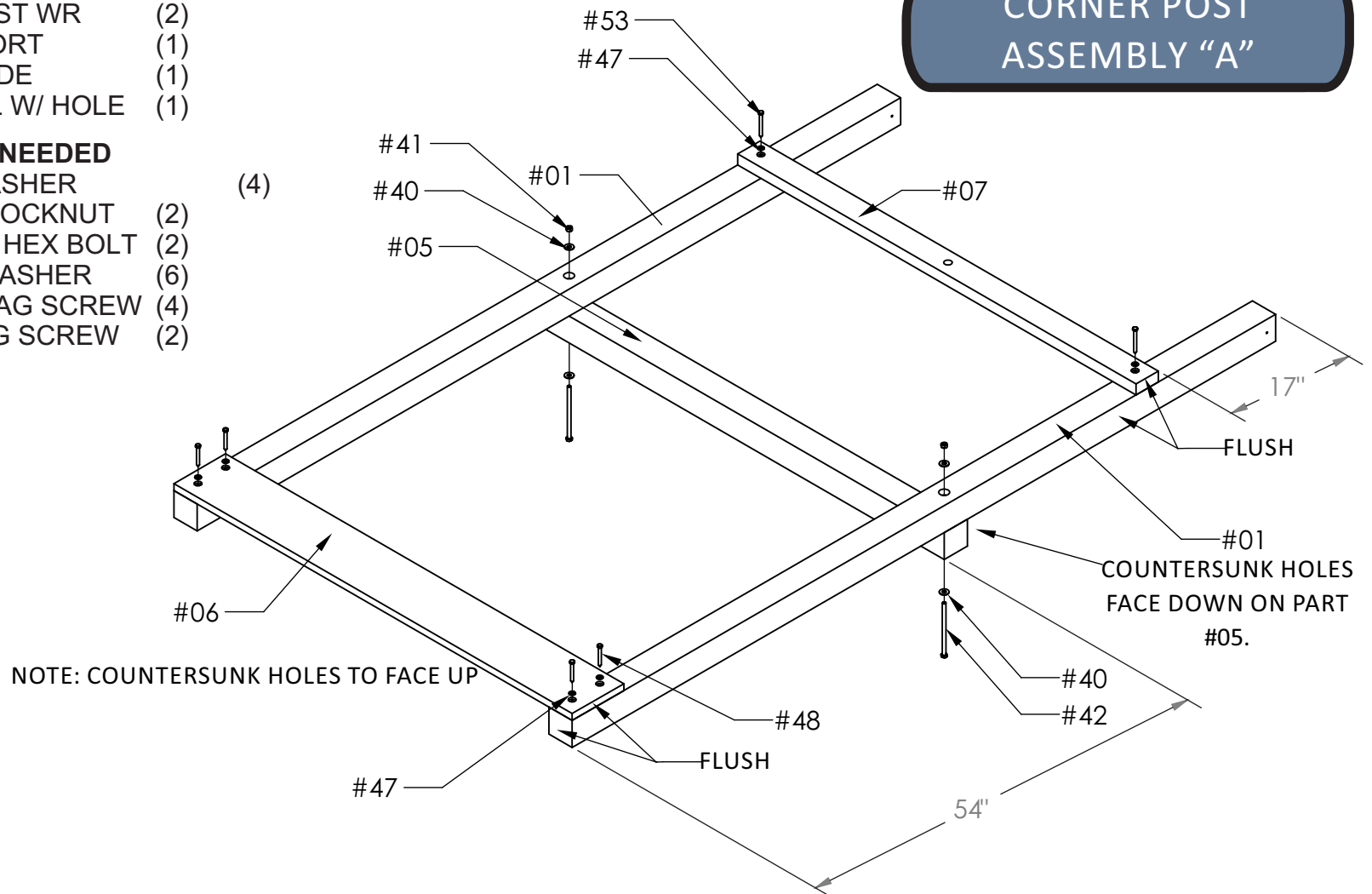
#71  
PG-HW-B004  
1/2"-13 X 10" HEX BOLT  
(1)



## CORNER POST ASSEMBLY "A"

PARTS NEEDED		
#01	CORNER POST WR	(2)
#05	DECK SUPPORT	(1)
#06	SANDBOX SIDE	(1)
#07	SAFETY RAIL W/ HOLE	(1)

HARDWARE NEEDED		
#40	3/8" FLAT WASHER	(4)
#41	3/8" NYLON LOCKNUT	(2)
#42	3/8"-16 X 6.5" HEX BOLT	(2)
#47	5/16" FLAT WASHER	(6)
#48	5/16" X 2.5" LAG SCREW	(4)
#53	5/16" X 3" LAG SCREW	(2)

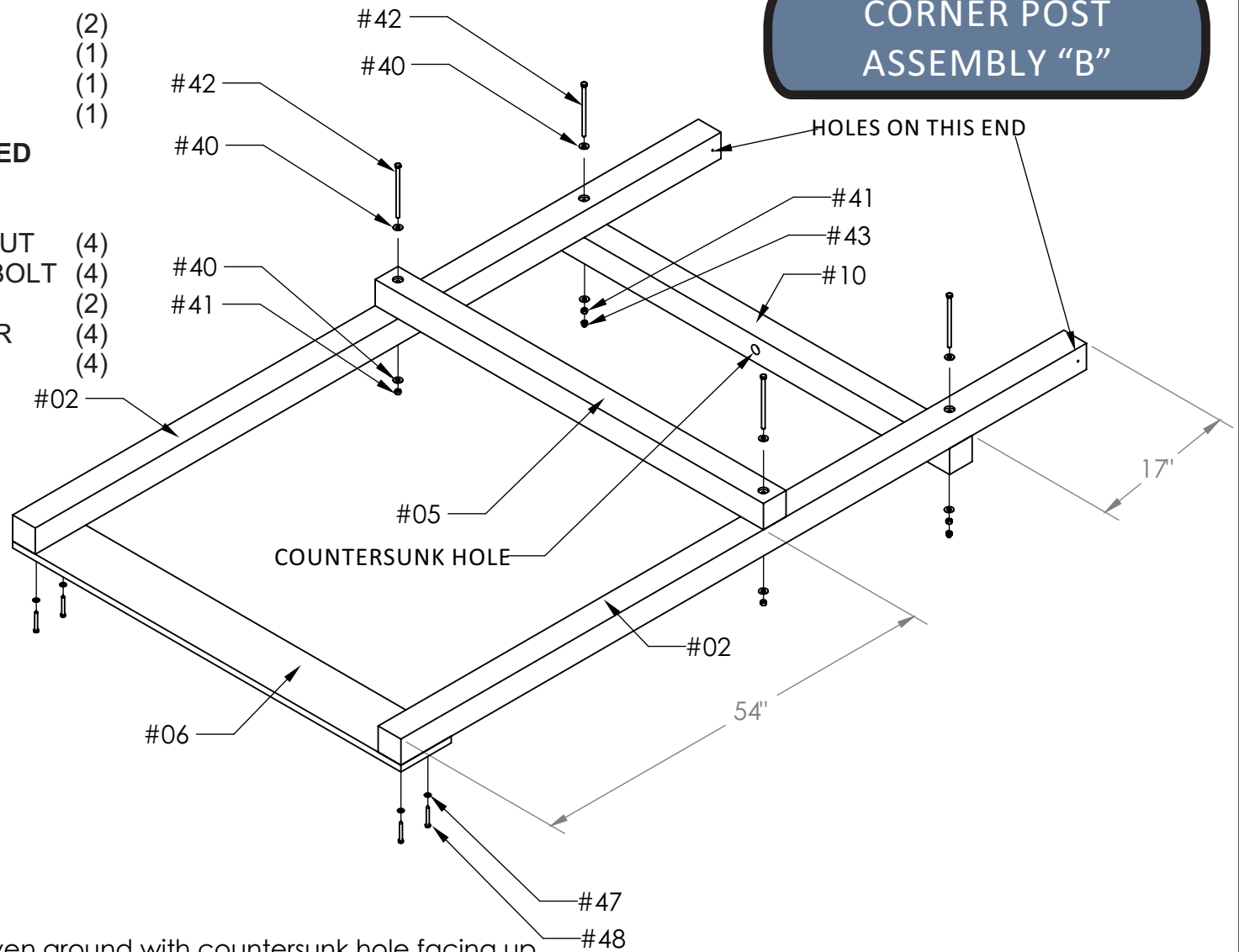


1. Layout items #01 on flat even ground with countersunk hole facing up.
2. Arrange items #06 and #07 as shown being careful to make sure parts are square and flush with item #01.
3. Attach item #05 using hardware items #40, #41, and #42.
4. Attach item #06 using hardware #47, and #48.
5. Attach item #07 using hardware #47, and #53.

## CORNER POST ASSEMBLY "B"

PARTS NEEDED		
#02	CORNER POST SB	(2)
#05	DECK SUPPORT	(1)
#06	SANDBOX SIDE	(1)
#10	SB SUPPORT	(1)

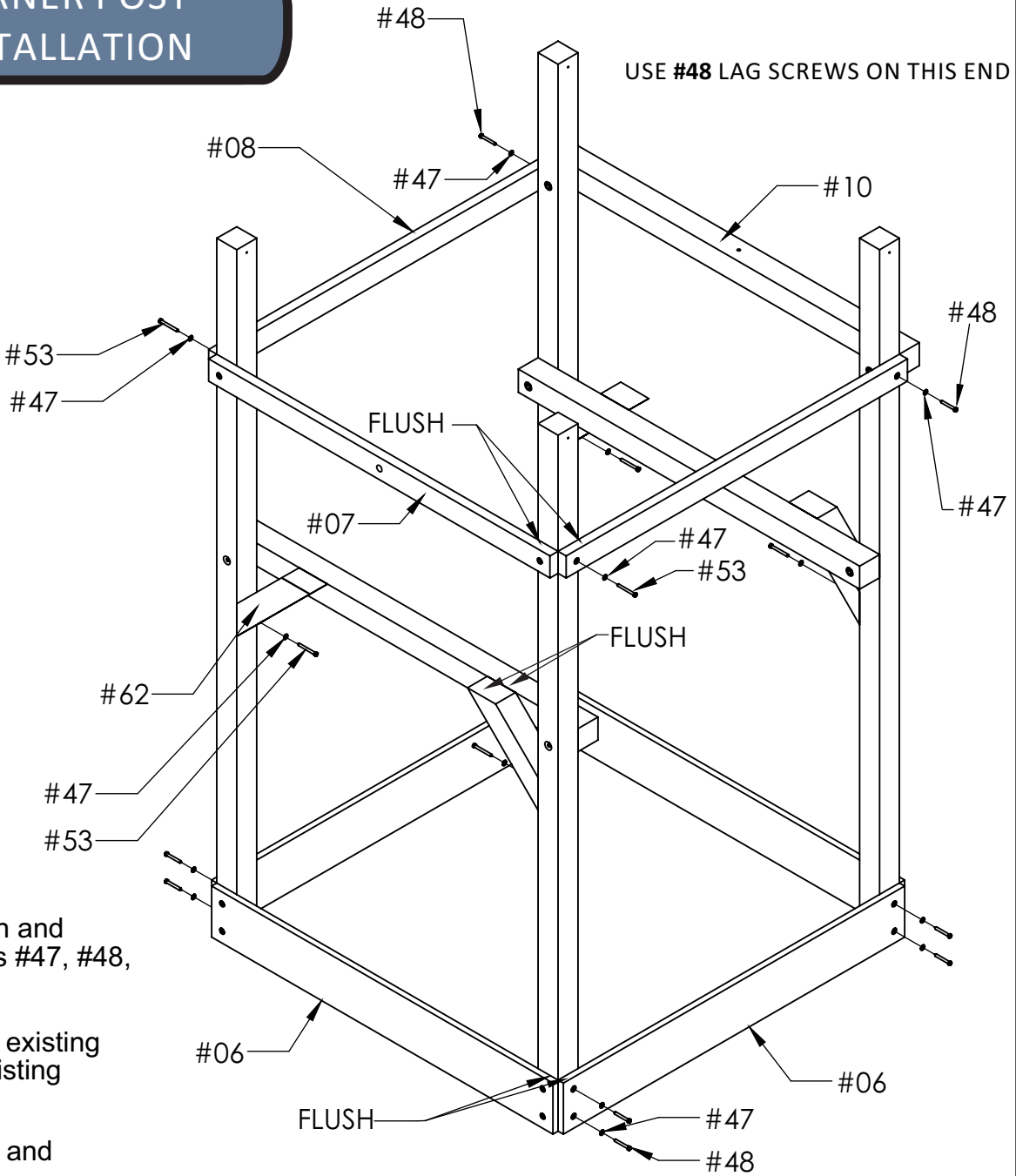
HARDWARE NEEDED		
#40	3/8" FLAT WASHER	(8)
#41	3/8" NYLON LOCKNUT	(4)
#42	3/8"-16 X 6.5" HEX BOLT	(4)
#43	3/8-16 ACORN NUT	(2)
#47	5/16" FLAT WASHER	(4)
#48	5/16" LAG SCREW	(4)



1. Layout items #02 on flat even ground with countersunk hole facing up.
2. Arrange items #05, #06, and #10 as shown being careful to make sure assembly is square and flush with item #01.
3. Attach item #05 using hardware #40, #41 and #42.
4. Attach item #10 using hardware items #40, #41, #42, and #43.
5. Attach item #06 using hardware #47, and #48.

# CORNER POST INSTALLATION

- PARTS NEEDED**
- #08 SAFETY RAIL FULL (2)
  - #06 SANDBOX SIDE (2)
  - #62 ANGLED BRACE (4)
- HARDWARE NEEDED**
- #47 5/16" FLAT WASHER (16)
  - #48 5/16" X 2.5" LAG SCREW (10)
  - #53 5/16" X 3" LAG SCREW (6)



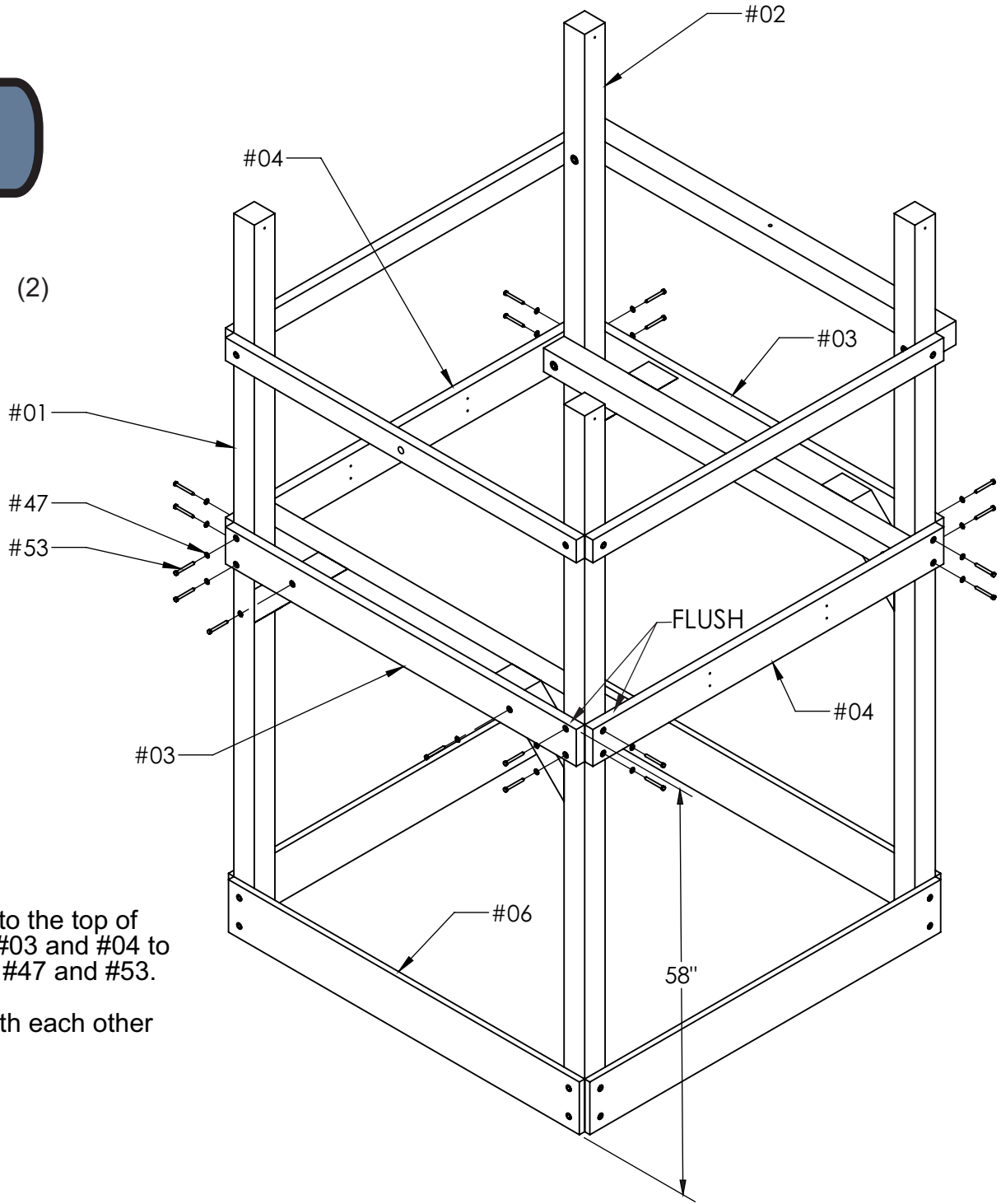
1. Stand assemblies "A" and "B" upright as shown and attach items #08 and #06. Using hardware items #47, #48, and #53.
2. Being sure that items #08 are flush with top of existing items #07 and #10, and item #06 is flush with existing items #06.
3. Install Angled Braces #62 with Lag Screw #53 and Washer #47 as shown.



# DECK FACIA INSTALLATION

- PARTS NEEDED**
- #03 DECK FACIA (2)
  - #04 DECK FACIA w/JOIST HOLES (2)

- HARDWARE NEEDED**
- #47 5/16" FLAT WASHER (20)
  - #53 5/16" X 3" LAG SCREW (20)



1. Measuring up 58" from bottom of item #06 to the top of items #03 and #04 as shown attach items #03 and #04 to items #01 and #02. Using hardware items #47 and #53.
2. Ensure that items #03 and #04 are flush with each other at tops.

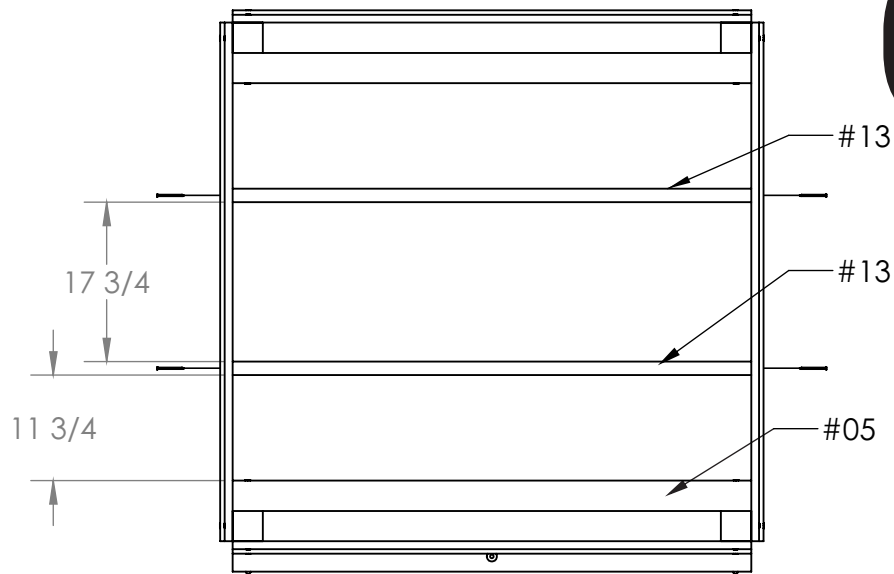
# FLOOR JOIST INSTALLATION

## PARTS NEEDED

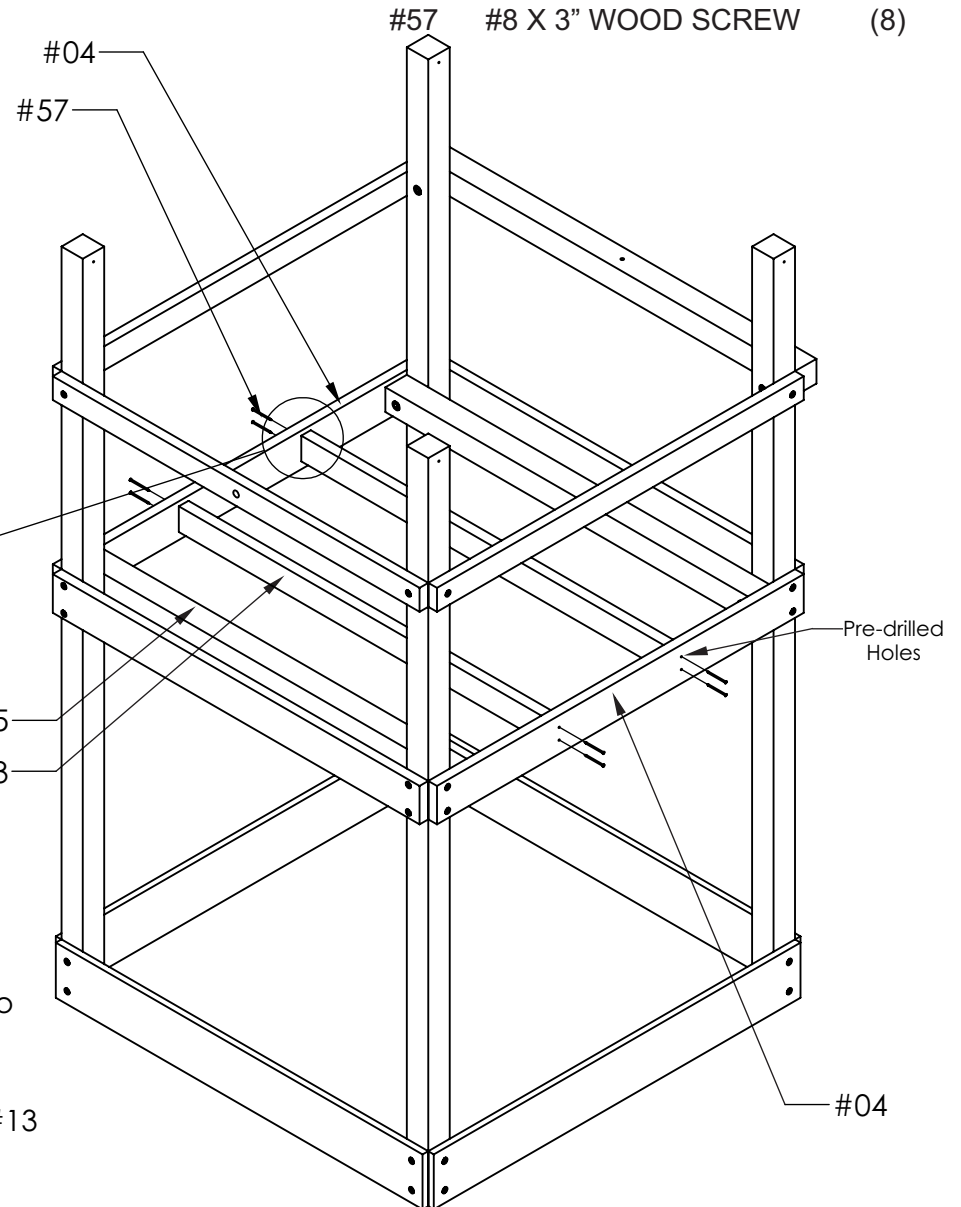
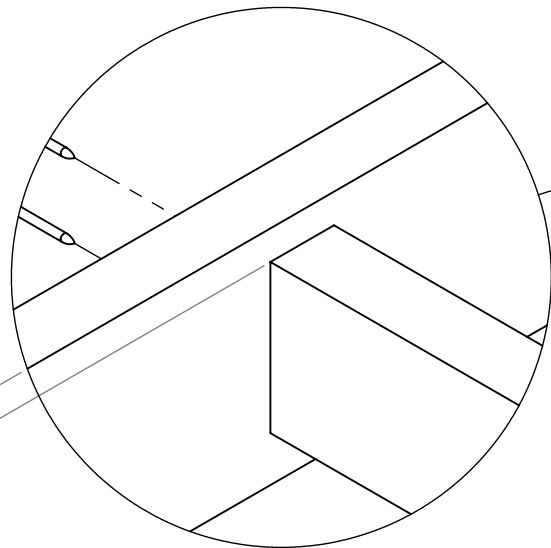
#13 FLOOR JOIST (2)

## HARDWARE NEEDED

#57 #8 X 3" WOOD SCREW (8)

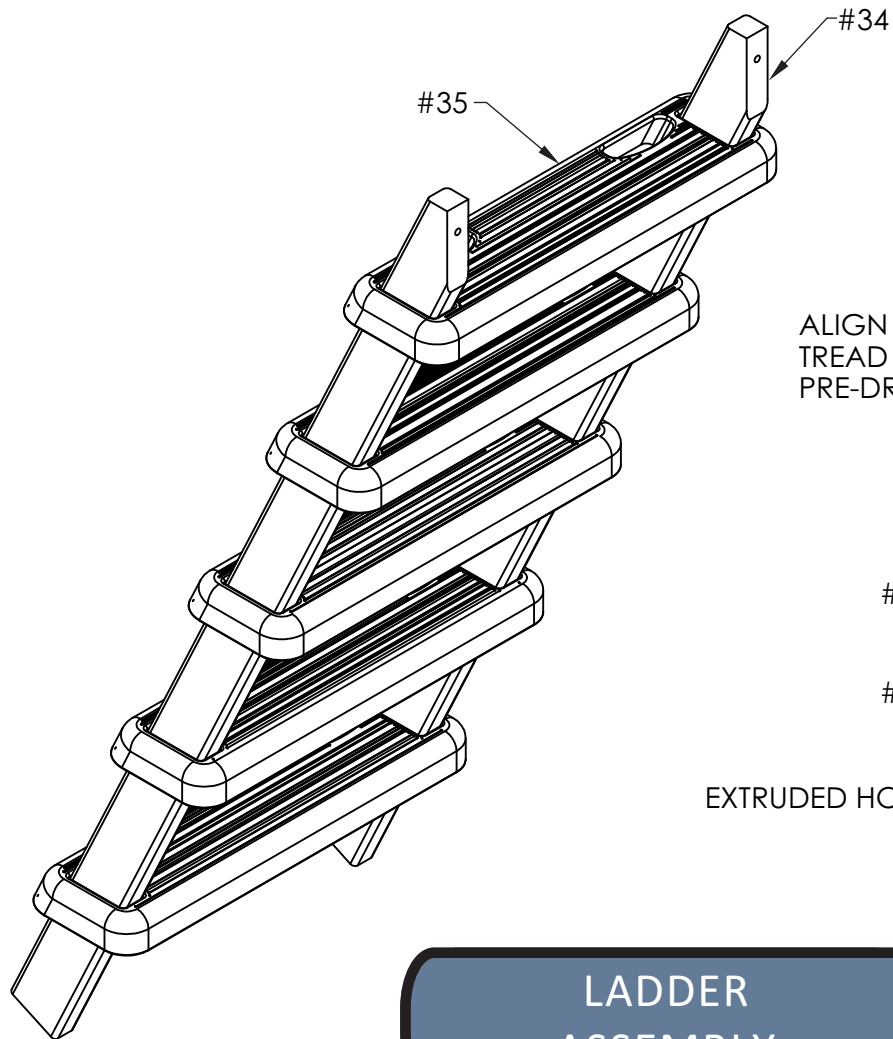


VIEW FROM TOP



1. Measuring over 11 3/4" from item #05 attach the first item #13 to item #04 at both ends 5/8" from top of item #04 using hardware item #57.

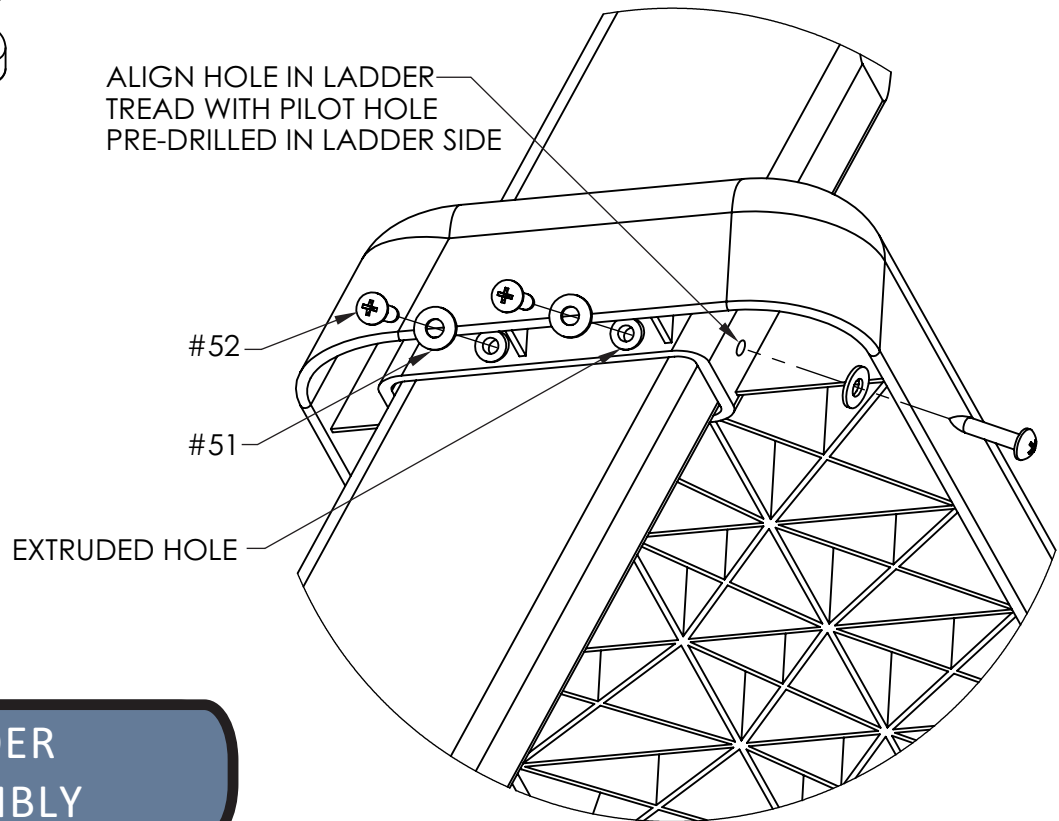
2. Measuring over 17 3/4" from item #13 attach the second item #13 to item #04 at both ends using hardware item #57.



**LADDER ASSEMBLY**

<b>PARTS NEEDED</b>		
#34	LADDER SIDE	(2)
#35	LADDER TREAD	(5)
<b>HARDWARE NEEDED</b>		
#51	#10 FLAT WASHER	(30)
#52	#10 X 1" ROUND HEAD SCREW	(30)

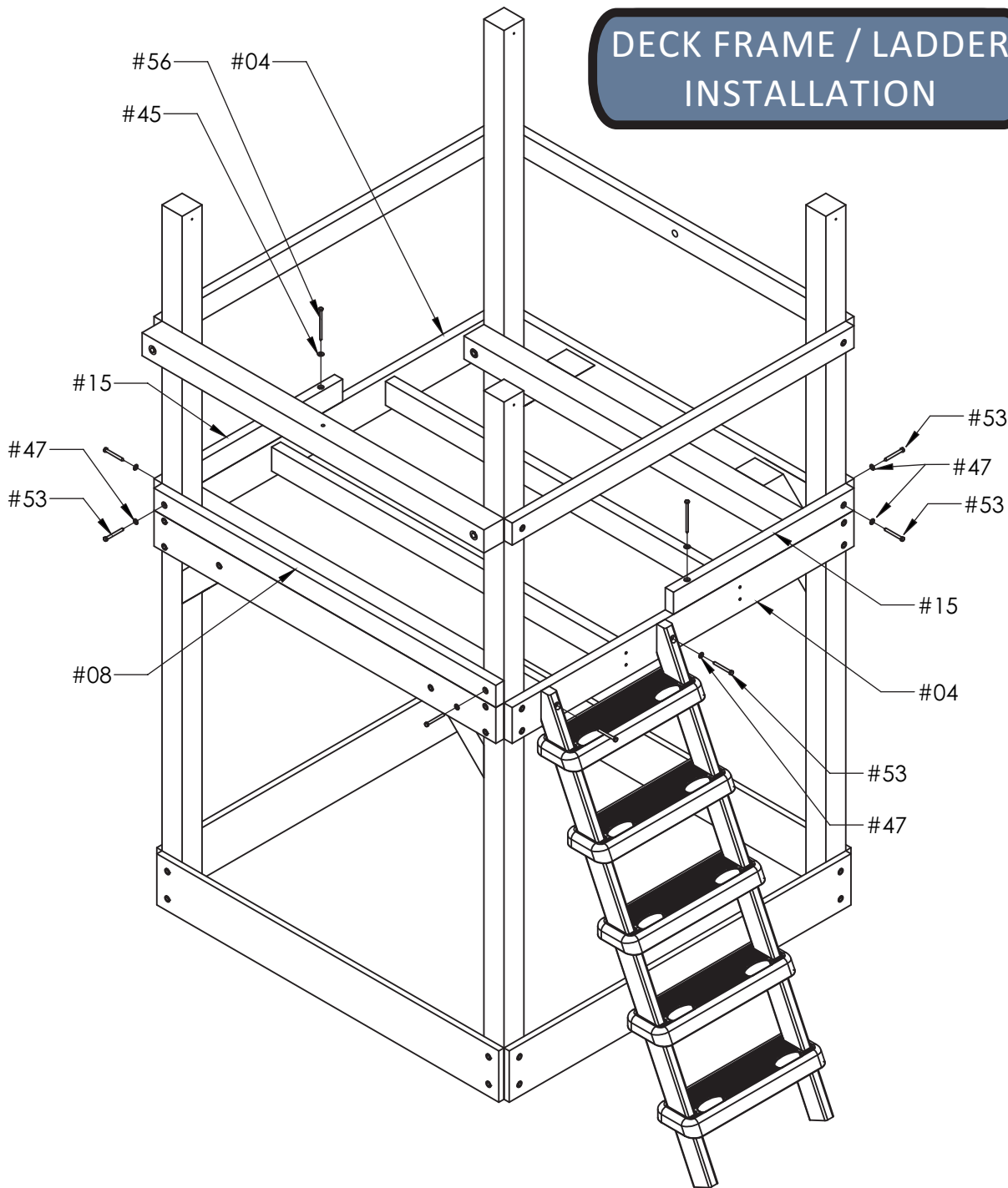
ALIGN HOLE IN LADDER TREAD WITH PILOT HOLE PRE-DRILLED IN LADDER SIDE



VIEW FROM BOTTOM OF ITEM #35  
 \*NOTE: SCREWS TO BE INSERTED AT AN ANGLE

1. Lay items #34 on a flat surface with angled cut facing down.
2. Slide items #35 over end of items #34 aligning holes in item #35 with pre-drilled pilot holes in item #34.
3. Attach items #35 using hardware items #51 and #52  
**(Repeat step 3 until all item #35's have been attached using the pre-drilled pilot holes)**
4. Finish attaching all items #35 using extruded holes with hardware items #51 and #52.

## DECK FRAME / LADDER INSTALLATION



### PARTS NEEDED

	LADDER ASSEMBLY	(1)
#08	SAFETY RAIL	(1)
#15	DECK FRAME HALF	(2)

### HARDWARE NEEDED

#45	1/4" FLAT WASHER	(2)
#47	5/16" FLAT WASHER	(6)
#53	5/16" X 3" LAG SCREW	(6)
#56	1/4" X 4.5" LAG SCREW	(2)

1. Attach item #08 to Corner Post as shown using hardware items #47 and #53. Make sure ends of item #08 are flush with Corner Posts.
2. Attach item #15 to Corner Post as shown using hardware items #47 and #53. Make sure ends of item #15 are flush with Corner Posts. Finish attaching item #15 to item #04 with hardware #45 and #56. (REPEAT FOR OPPOSITE SIDE)
3. Stand Ladder Assembly against item #04. Ladder Assembly should be centered between items #15 and Corner Post.
4. Tops of item #35 should be flush with top of item #04.
5. Attach Ladder Assembly using hardware items #47 and #53.

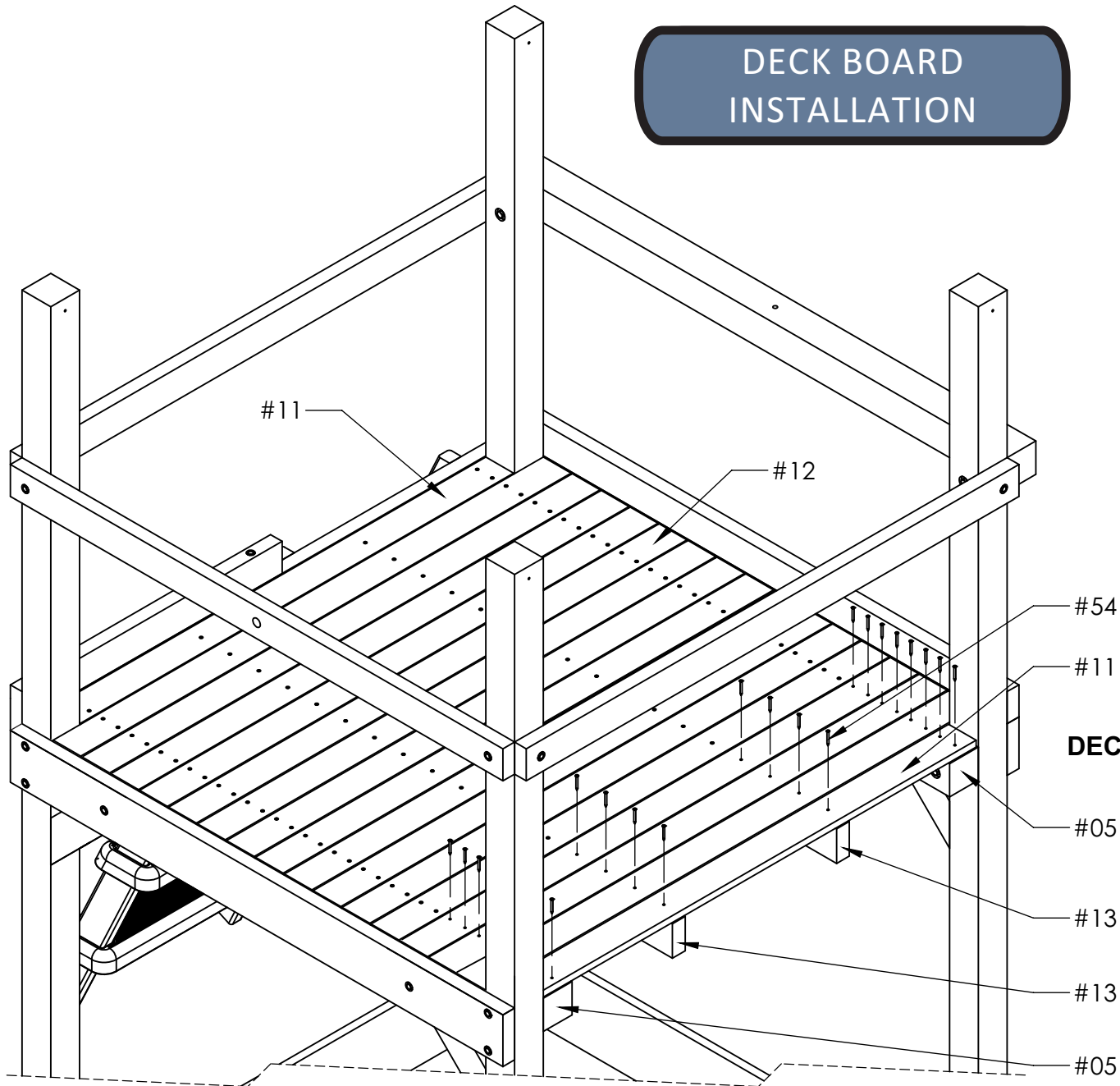
## DECK BOARD INSTALLATION

### PARTS NEEDED

- #11 DECK BOARD SHORT (2)
- #12 DECK BOARD LONG (15)

### HARDWARE NEEDED

- #54 #8 X 1 1/2" WOOD SCREW (102)



1. Layout and arrange items #11 and #12 as shown.
2. Evenly space items #11 and #12 across items #05 and #13.
3. Attach items #11 and #12 to items #05 and #13 using hardware item #54.
4. When installing hardware items #54 make sure they are centered on items #05 and #13.

**DECK FACIA REMOVED FOR CLARITY**

# WOOD ROOF OPTION

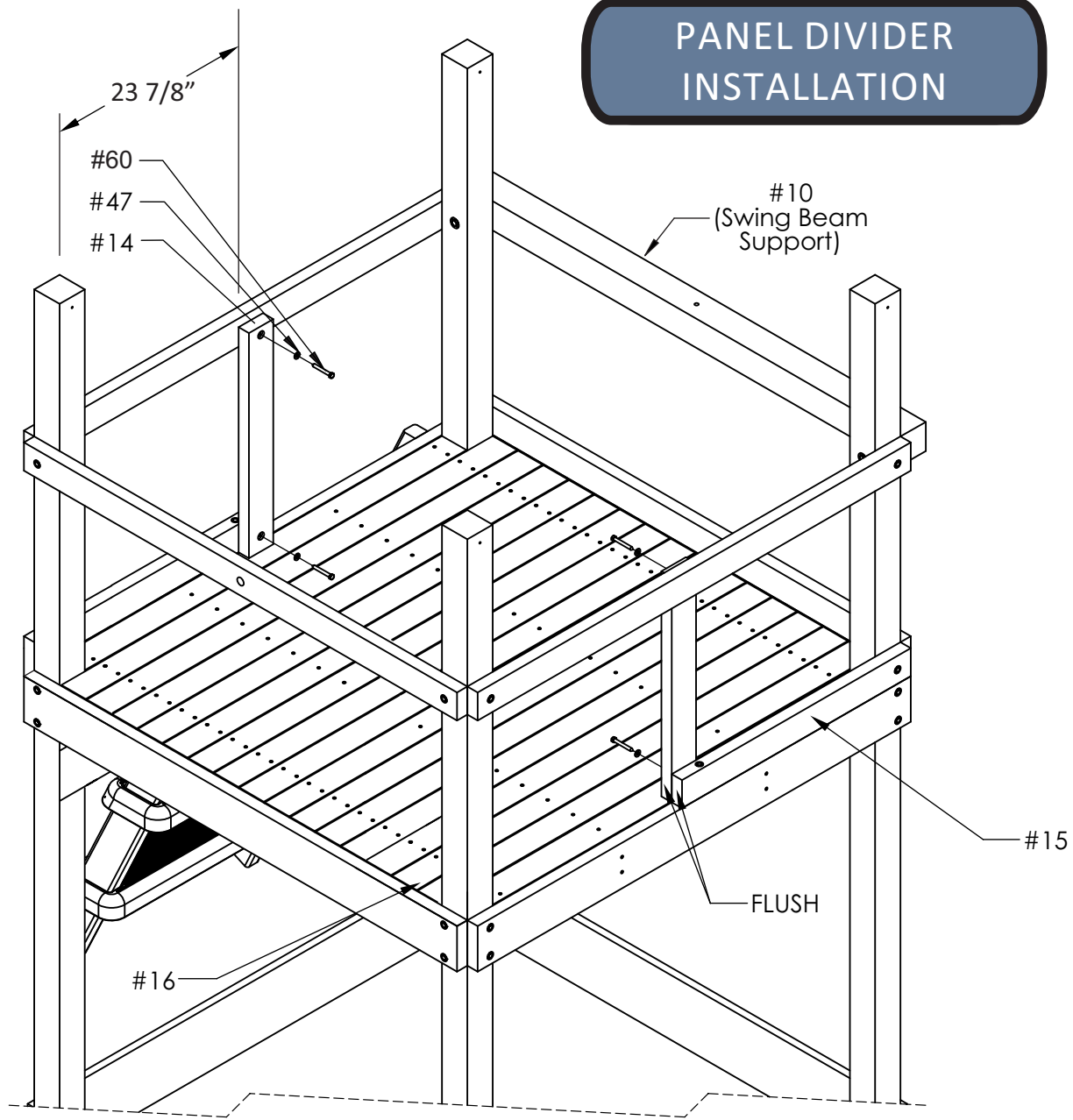
**PARTS NEEDED**  
#14 PANEL DIVIDER (2)

**HARDWARE NEEDED**  
#47 5/16" FLAT WASHER (4)  
#60 5/16" X 2" LAG SCREW (4)



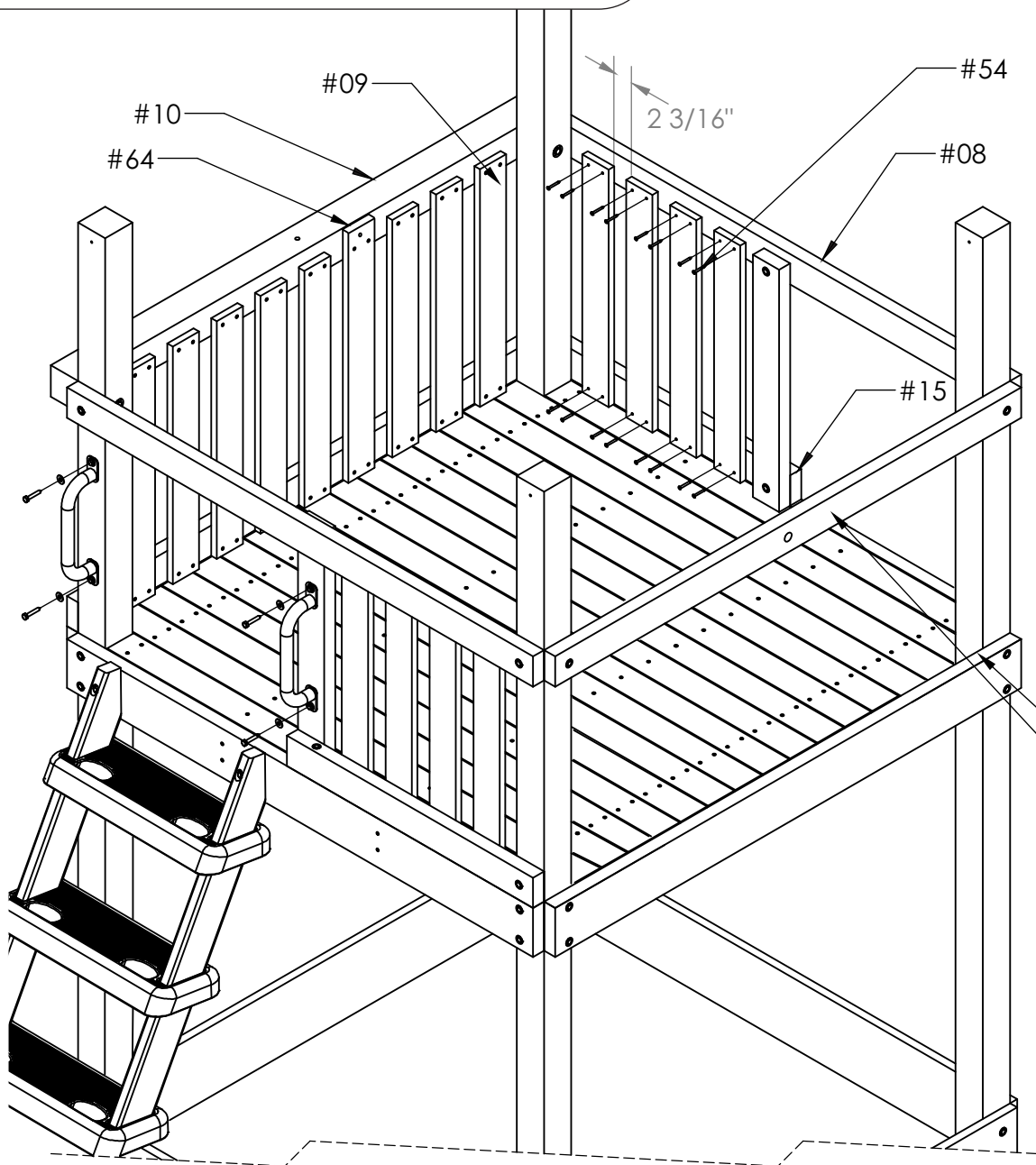
IF **NOT** INSTALLING THE OPTIONAL WOOD ROOF SKIP THIS PAGE AND CONTINUE ON PAGE 28.

1. Attach item #14 to items #15 using hardware items #47 and #48 as shown.
2. Make sure item #14 is flush with items #15.



# WOOD ROOF OPTION

## WOOD ROOF PANEL SLAT INSTALLATION



- PARTS NEEDED**
- #09 PANEL SLAT (16)
  - #64 LONG PANEL SLAT (1)

- HARDWARE NEEDED**
- #54 #8 X 1 1/2" WOOD SCREW (68)



IF INSTALLING THE OPTIONAL UPPER ENCLOSURE  
SKIP THIS PAGE AND CONTINUE THROUGH THE  
END OF THIS MANUAL THEN GO TO UPPER  
ENCLOSURE MANUAL

#16  
#07

1. Attach items #09 and item #64 to item #08 and #10 evenly spaced at  $2 \frac{3}{16}$ " apart.
2. Attach item #09 to item #07 centered between Corner Post and Panel Divider.
3. Use hardware #54 to attach all parts.

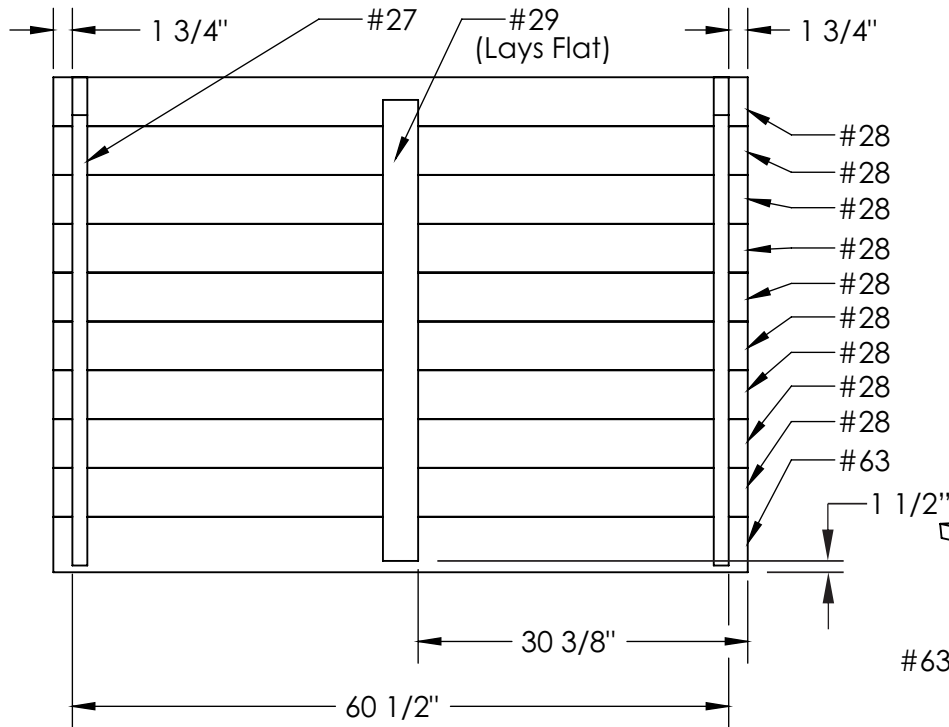
# WOOD ROOF OPTION

## PARTS NEEDED

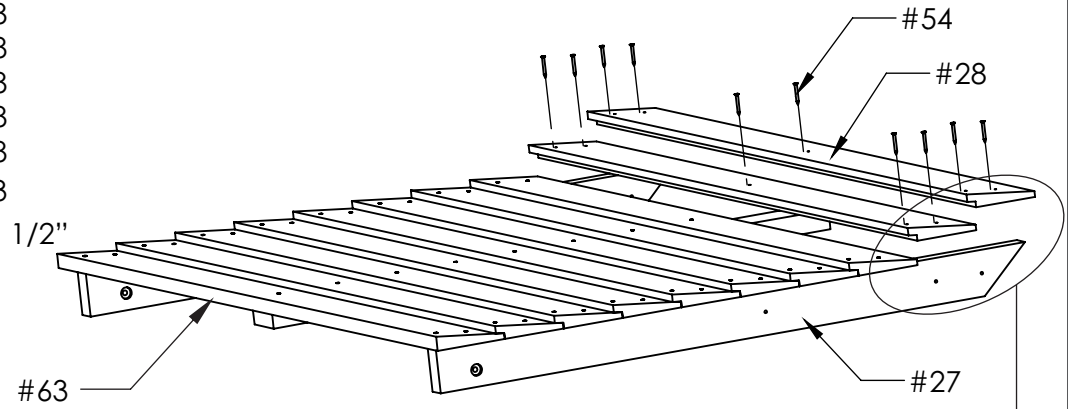
#27	RAFTER	(4)
#28	ROOF BOARD	(18)
#29	ROOF BACKBOARD	(2)
#63	END ROOF BOARD	(2)

## HARDWARE NEEDED

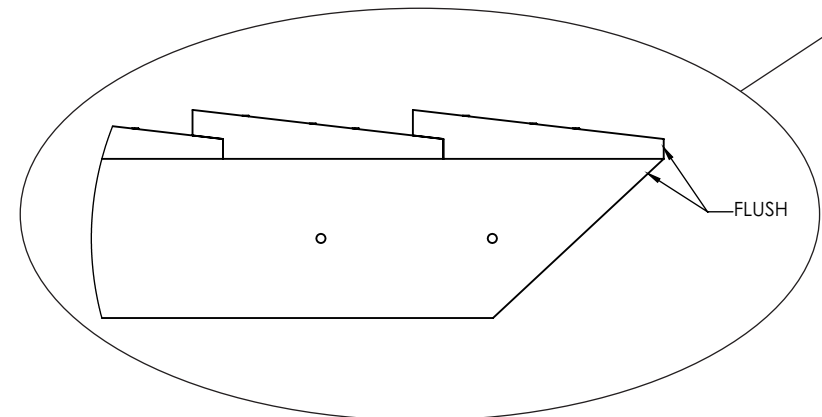
#54	#8 X 1 1/2" WOOD SCREW	(100)
-----	------------------------	-------



## ROOF PANEL ASSEMBLY



1. Lay item #29 on flat level ground and arrange item #28, and #63 as shown ensuring that item #29 is centered on underside of item #28. Fasten with hardware item #54.
2. Lay items #27 on flat level ground 60 1/2" apart with angled cut end of item #27 facing down as shown. Lay assembly from previous step on top of items #27 with angle end flush with top of assembly. Countersunk holes on item #27 should be facing out.



**NOTE: 2 Roof Panels are required repeat steps 1 and 2 for 2nd Roof Panel**



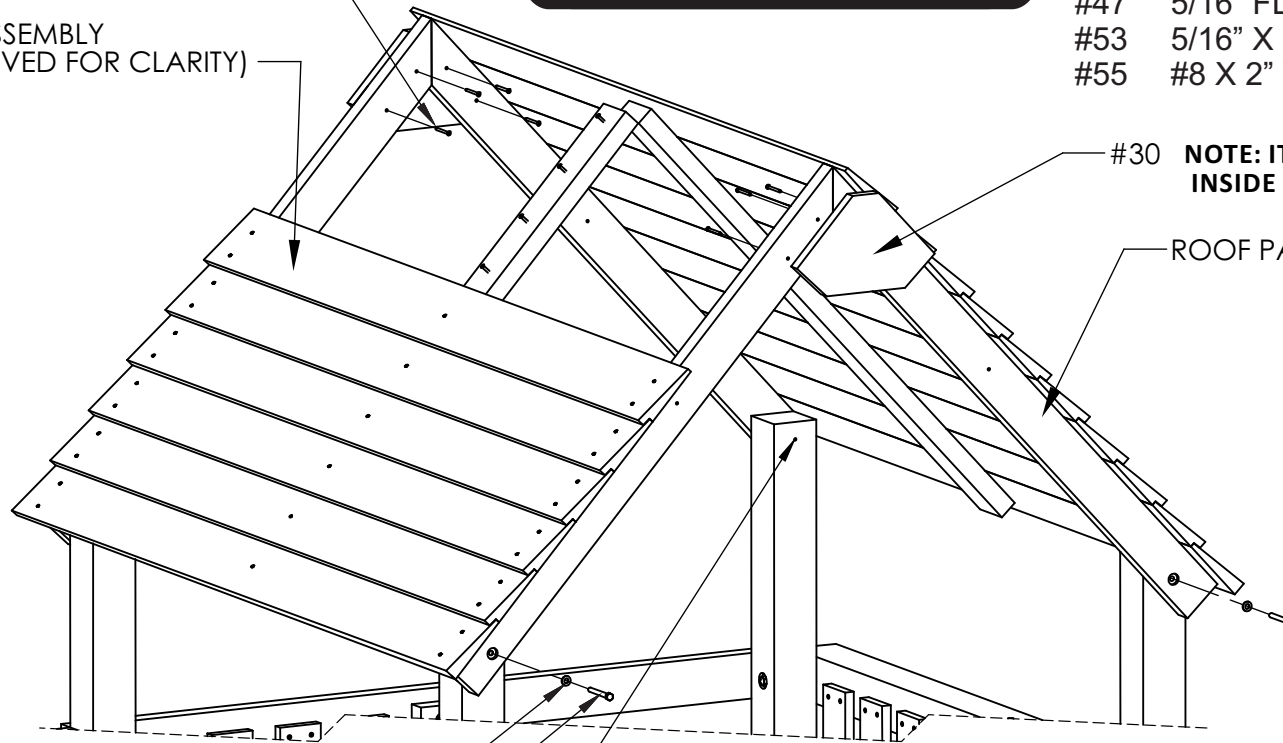
# WOOD ROOF OPTION

## ROOF PANEL INSTALLATION

<b>PARTS NEEDED</b>	
	ROOF PANEL ASSEMBLY (2)
#30	ROOF TRIANGLE (2)

<b>HARDWARE NEEDED</b>	
#47	5/16" FLAT WASHER (4)
#53	5/16" X 3" LAG SCREW (4)
#55	#8 X 2" WOOD SCREW (8)

#55  
ROOF PANEL ASSEMBLY  
(BOARDS REMOVED FOR CLARITY)



#30 **NOTE: ITEM #30 TO BE ATTACHED FROM INSIDE OF RAFTERS USING ITEM #55**

ROOF PANEL ASSEMBLY

#47

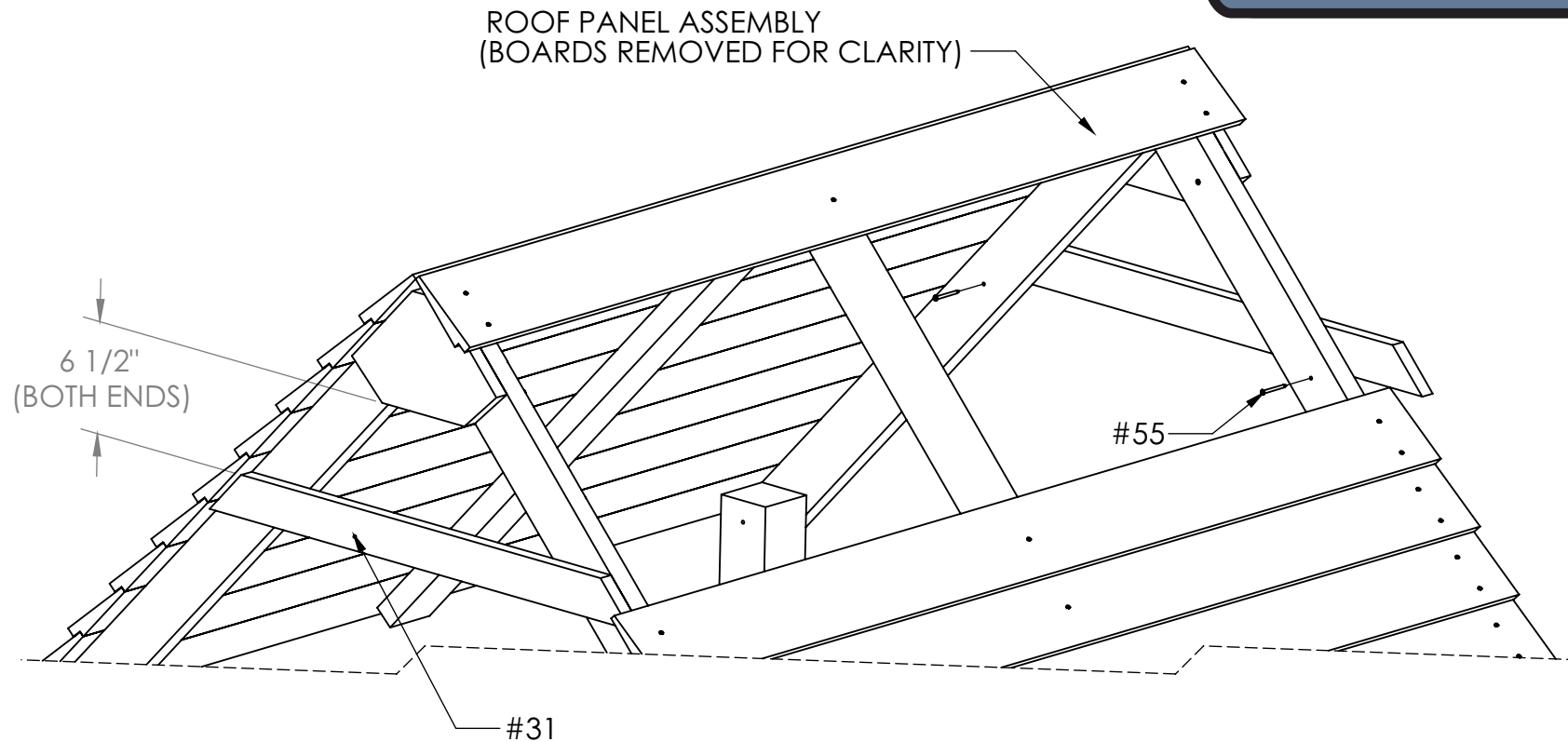
#53

PRE-DRILLED PILOT HOLE

1. Before raising Roof Panel Assemblies place hardware needed to attach Roof Panel Assemblies up in playset to be available when needed.
2. With help align 1 Roof Panel Assembly with pre-drilled pilot holes in Corner Post and attach to Corner Post using hardware items #47 and #53.
3. While a helper holds previously attached Roof Panel Assembly align the 2nd Roof Panel Assembly with pre-drilled pilot holes in Corner Post and attach to Corner Post using hardware items #47 and #53.
4. With both Roof Panel Assemblies attached they will rest against each other at the peaks of each Roof Panel Assembly. Attach item #30 as shown using hardware item #55.

# WOOD ROOF OPTION

## ROOF STRAP ASSEMBLY



**PARTS NEEDED**  
#31 ROOF STRAP (2)

**HARDWARE NEEDED**  
#55 #8 X 2" WOOD SCREW (4)

**NOTE: ITEM #31 TO BE ATTACHED FROM  
INSIDE OF RAFTERS USING ITEM #55**

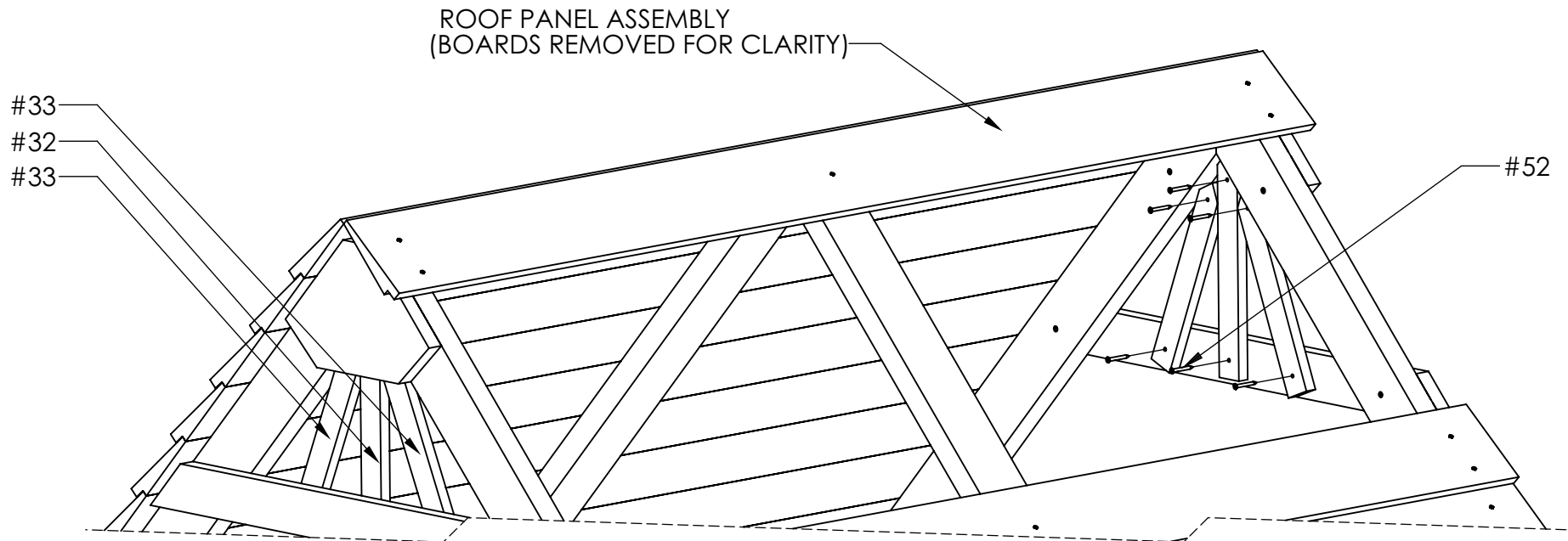
1. Attach item #31 to Roof Panel Assemblies as shown using hardware item #55

# WOOD ROOF OPTION

## ROOF DECORATION INSTALLATION

PARTS NEEDED	
#32	ROOF DECORATION CENTER (2)
#33	ROOF DECORATION OUTER (4)

HARDWARE NEEDED	
#52	#10 X 1" WOOD SCREW (12)



1. Center and attach item #32 to Roof Strap and Roof Triangle using item #52 as shown.
2. Attach item #33 to Roof Strap and Roof Triangle spacing them evenly on either side of item #32 using item #52 as shown.

# VINYL ROOF OPTION

## PARTS NEEDED

#81	VERT VINYL ROOF SUPPORT	(2)
#08	SAFETY RAIL FULL	(2)

## HARDWARE NEEDED

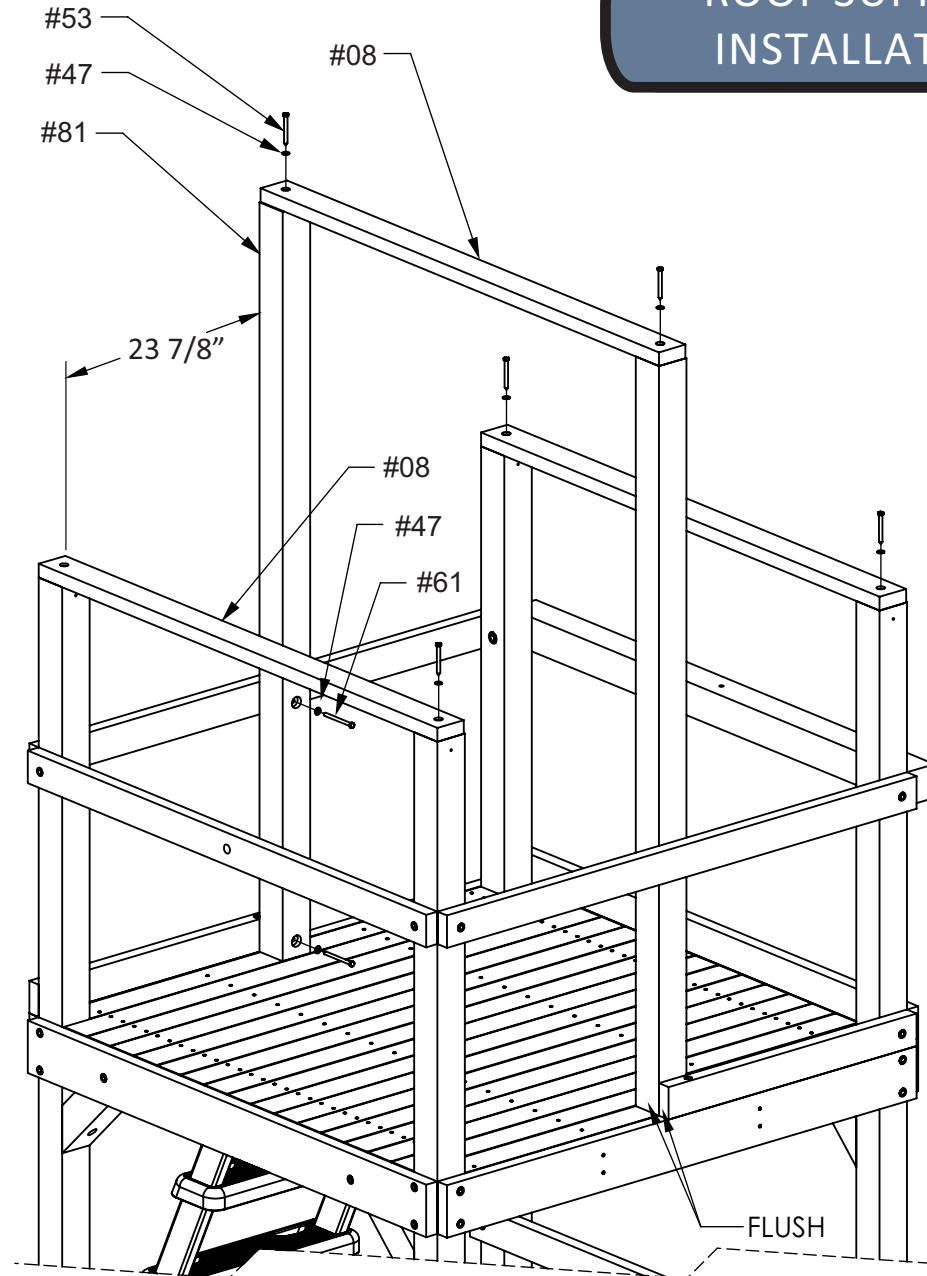
#47	5/16" FLAT WASHER	(10)
#53	5/16" X 3" LAG SCREW	(6)
#61	5/16" X 4" LAG SCREW	(4)



IF YOU INSTALLED THE OPTIONAL  
WOOD ROOF SKIP TO PAGE 31.

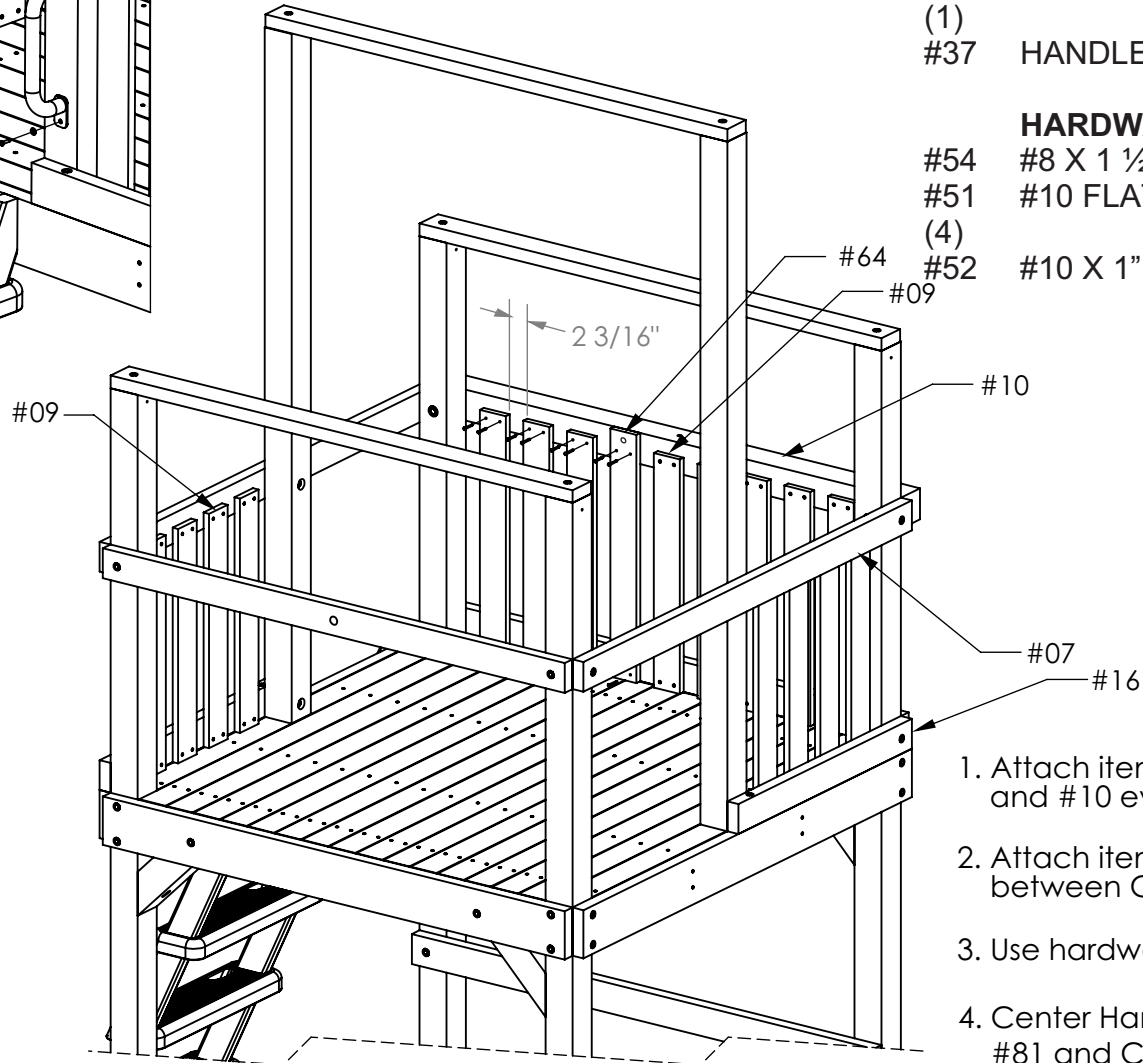
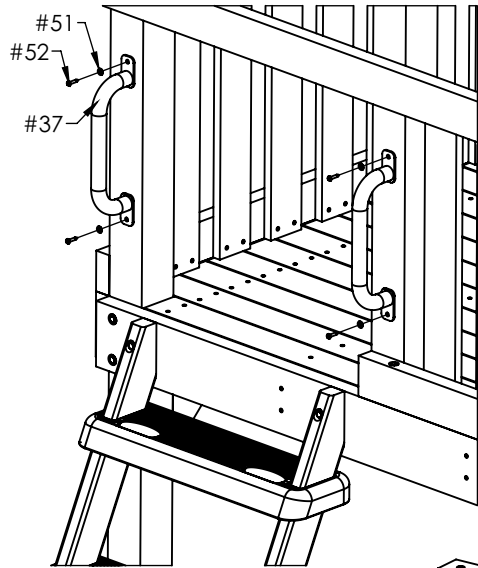
1. Attach item #81 to items #15 and #08 using hardware items #47 and #61 as shown.
2. Make sure item #81 is level and flush with items #15.

## ROOF SUPPORT INSTALLATION



# VINYL ROOF OPTION

## VINYL ROOF PANEL SLAT INSTALLATION

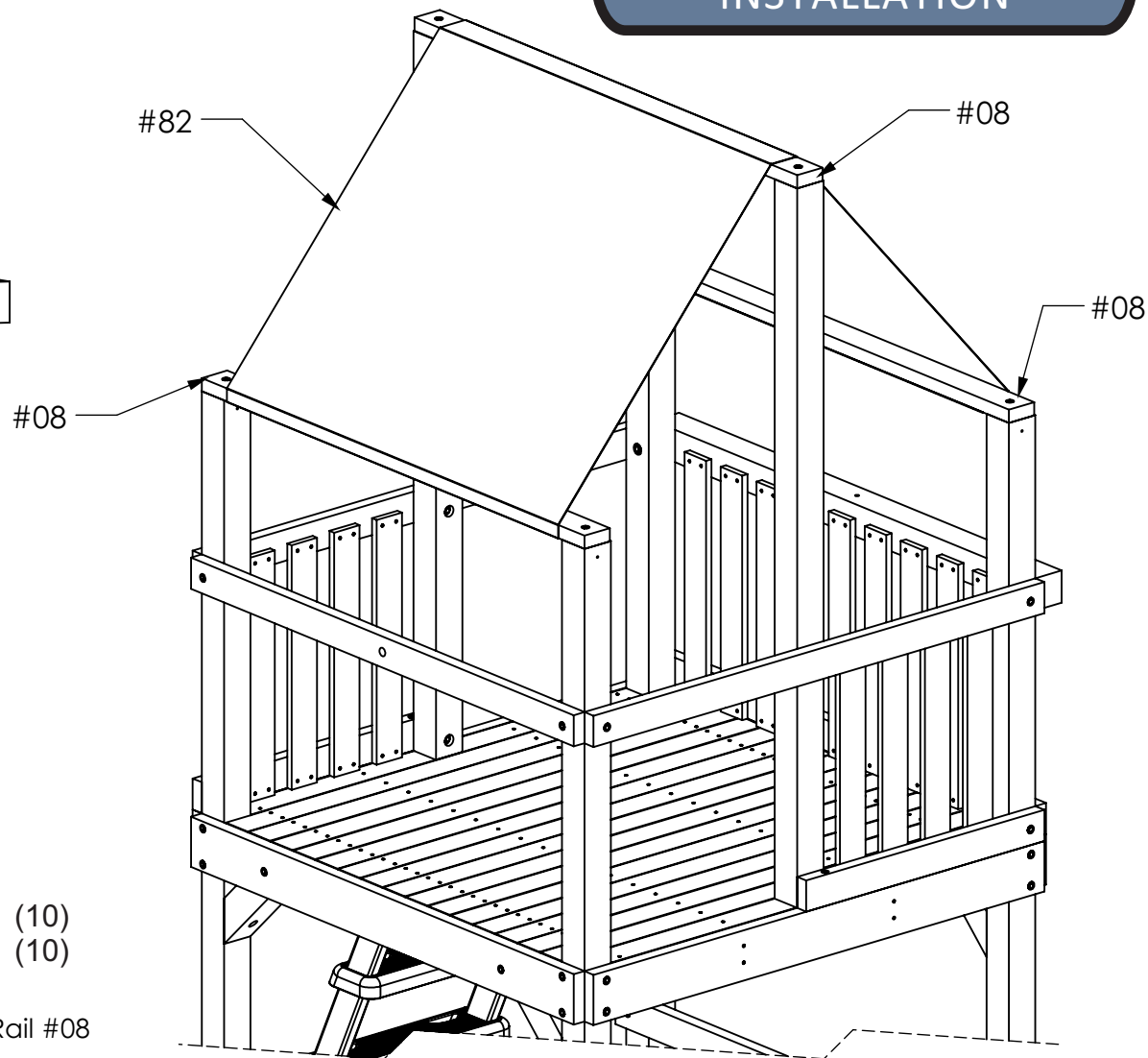
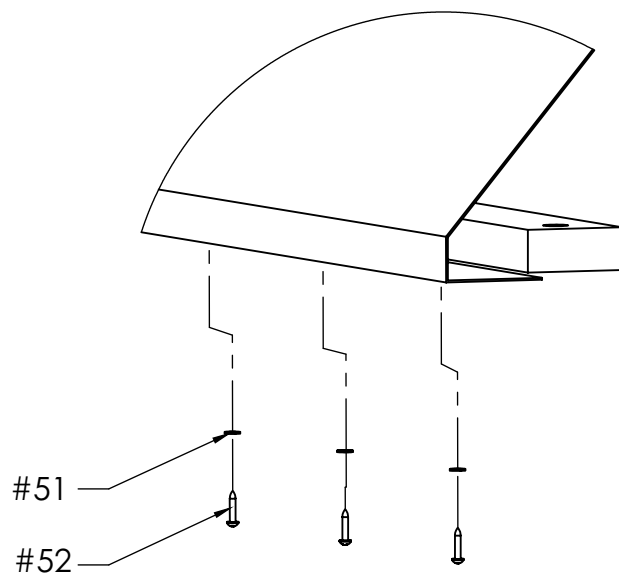


<b>PARTS NEEDED</b>	
#09	PANEL SLAT
(16)	
#64	LONG PANEL SLAT
(1)	
#37	HANDLE
	(2)
<b>HARDWARE NEEDED</b>	
#54	#8 X 1 1/2" WOOD SCREW
(68)	
#51	#10 FLAT WASHER
(4)	
#52	#10 X 1" SCREW
(4)	

1. Attach items #09 and item #64 to item #08 and #10 evenly spaced at 2 3/16" apart.
2. Attach item #09 to item #07 centered between Corner Post and Panel Divider.
3. Use hardware #54 to attach all parts.
4. Center Handle #37 on Vertical Roof Support #81 and Corner Post and secure with Round Head Screws #52 and Washers #51.

# VINYL ROOF OPTION

## VINYL ROOF INSTALLATION



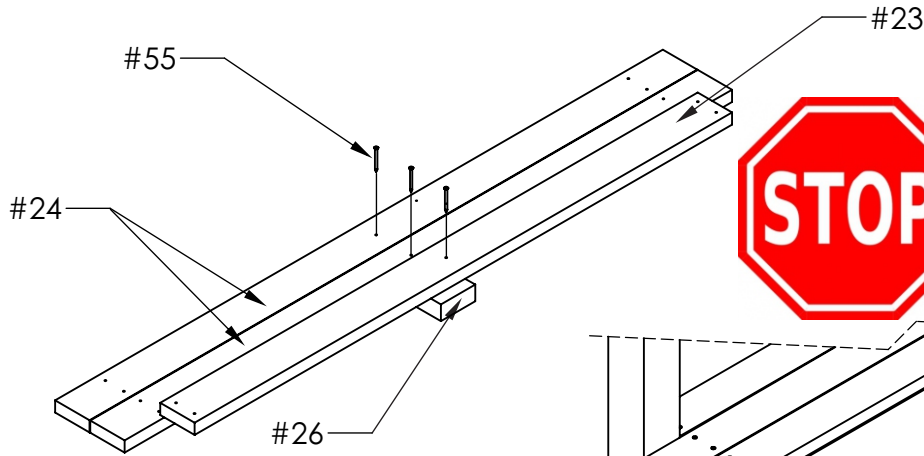
**PARTS NEEDED**  
#58 VINYL ROOF (1)

**HARDWARE NEEDED**  
#51 #10 FLAT WASHER (10)  
#52 #10 X 1" ROUND HEAD SCREW (10)

1. With a helper, center the Vinyl Roof #58 over Safety Rail #08 (left, right and center).
2. Wrap Vinyl Roof #82 over right side Safety Rail #08 attach using 5, #52 Round Head Screw and #51 Flat Washer (Screws #45 should be evenly spaced from side to side)
3. Wrap Vinyl Roof #82 and pull it tight over left side Safety Rail #08 attach using 5, #52 Round Head Screw and #51 Flat Washer (They should be evenly spaced from side to side)

# PICNIC SEAT ASSEMBLY AND INSTALLATION

## STEP 1



### STEP 1

1. Lay item #26 on smooth level surface and arrange and center items #23 #24 as shown.
2. Attach using hardware item #55
3. Repeat for other Picnic Seat Assembly.

### PARTS NEEDED

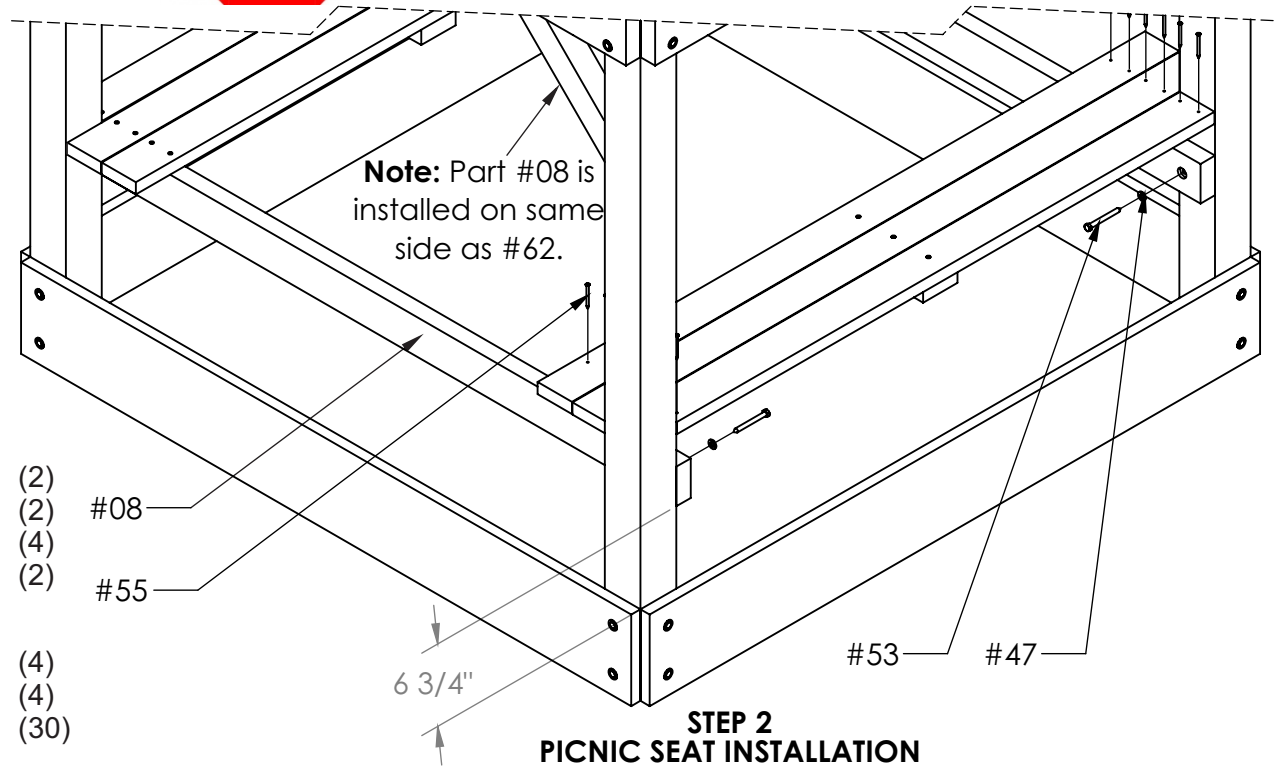
- #08 SAFETY RAIL FULL
- #23 PICNIC TABLE BOARD SHORT
- #24 PICNIC TABLE BOARD LONG
- #26 PICNIC TABLE SEAT BACKBOARD

### HARDWARE NEEDED

- #47 5/16" FLAT WASHER (4)
- #53 5/16" X 3" LAG SCREW (4)
- #55 #8 X 2" FLAT HEAD WOOD SCREW (30)

IF INSTALLING THE OPTIONAL LOWER ENCLOSURE SKIP PAGE 31 AND 32 AND CONTINUE THROUGH THE END OF THIS MANUAL THEN GO TO THE LOWER ENCLOSURE MANUAL.

IF NOT INSTALLING THE OPTIONAL PICNIC TABLE SKIP PAGE 31 AND 32 AND CONTINUE WITH THE REST OF THE MANUAL.



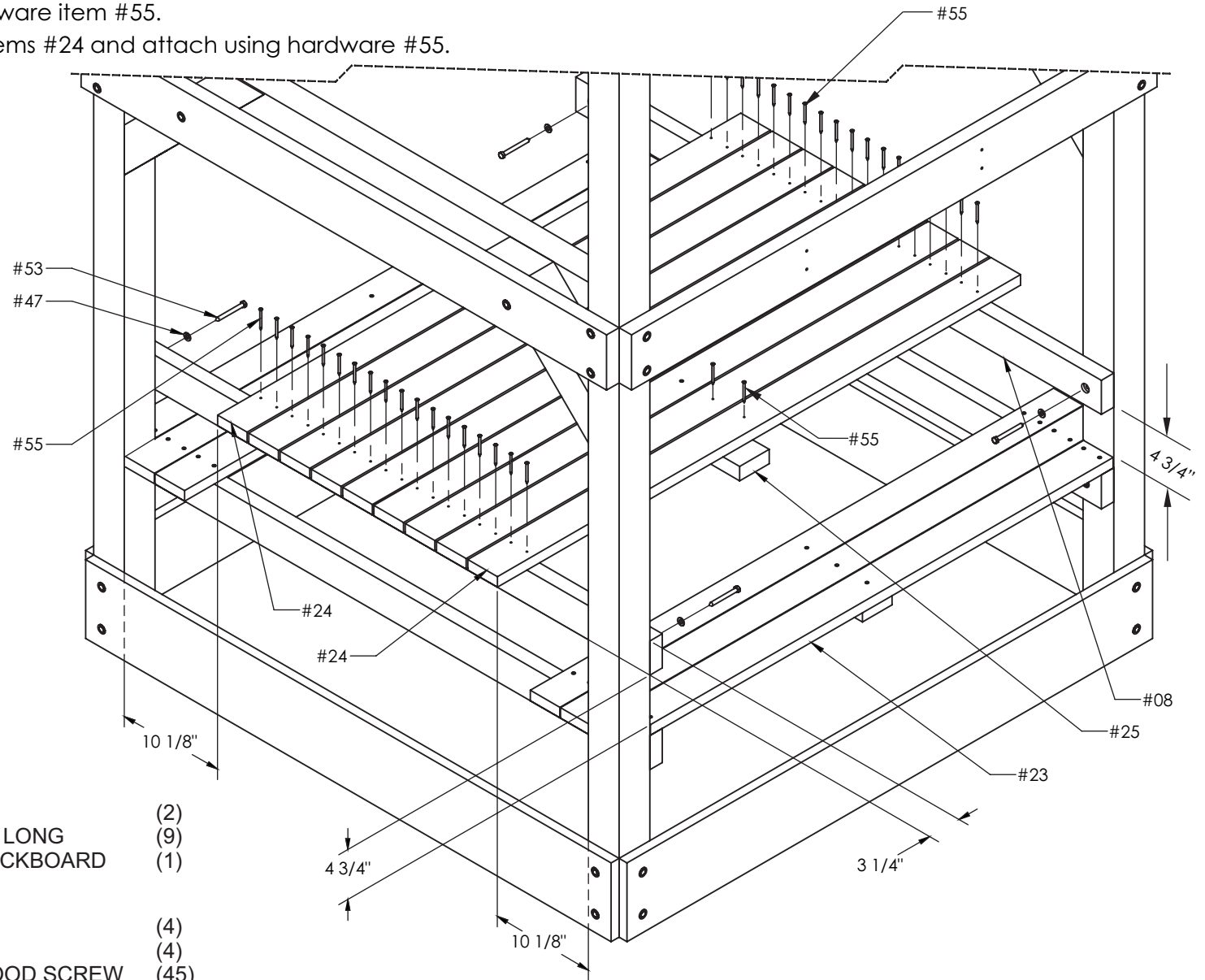
## STEP 2 PICNIC SEAT INSTALLATION

### STEP 2

1. Measuring 6 3/4" from the top of item #06 attach item #08 to Corner Post as shown using hardware items #47 and #53.
2. Install Picnic Seat Assembly as shown assuring that the face of item #23 is flush with the end face of item #08.
3. Attach Picnic Seat Assembly using hardware item #55.
4. Repeat for other Picnic Seat Assembly.

## PICNIC TABLE TOP ASSEMBLY AND INSTALLATION

1. Measuring 4 3/4" from the top of item #23 attach item #08 to Corner Post as shown using hardware items #47 and #53.
2. Install an item #24, 10 1/8" from inside face of each corner post as shown. End of item #24 should overhang the face of item #08, 3 1/4" on both sides.
3. Arrange remaining items #24 equally spaced between attached items #24 making sure faces are flush at each end.
4. Attach all items #24 using hardware item #55.
5. Center item #25 underneath items #24 and attach using hardware #55.



### PARTS NEEDED

#08	SAFETY RAIL	(2)
#24	PICNIC TABLE BOARD LONG	(9)
#25	PICNIC TABLE TOP BACKBOARD	(1)

### HARDWARE NEEDED

#47	5/16" FLAT WASHER	(4)
#53	5/16" X 3" LAG SCREW	(4)
#55	#8 X 2" FLAT HEAD WOOD SCREW	(45)

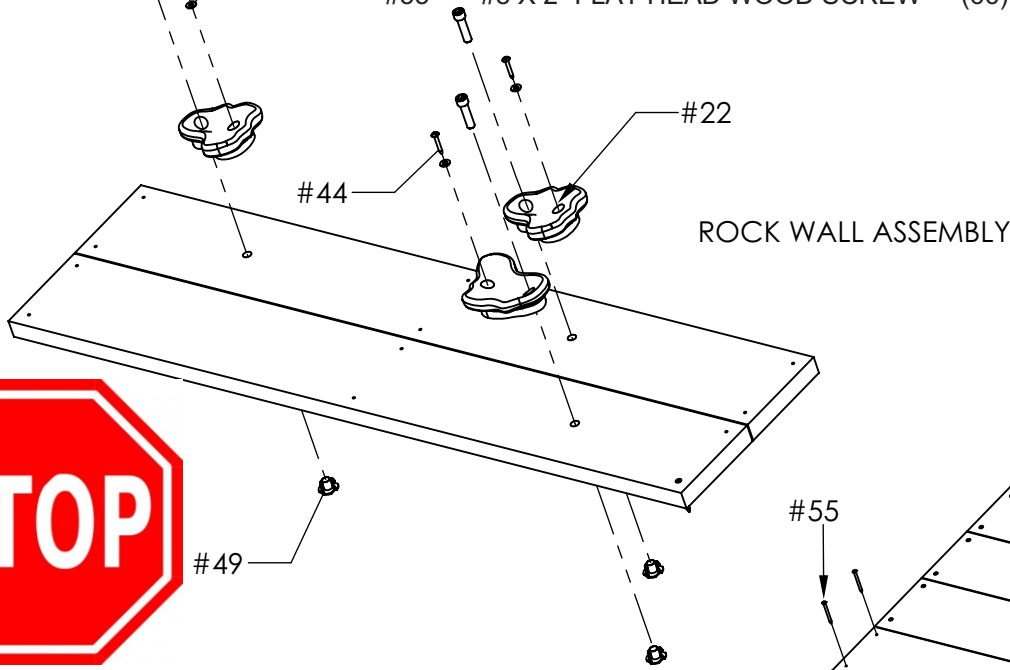


**HARDWARE NEEDED**

#44	#8 X 1.25" ROUND HEAD SCREW	(14)
#49	3/8"-16 X 1/2" T-NUT	(14)
#50	3/8"-16 X 1 1/2 SOCKET HEAD SCREW	(14)
#51	#10 FLAT WASHER	(14)
#55	#8 X 2" FLAT HEAD WOOD SCREW	(66)

**PARTS NEEDED**

#17	ROCK WALL SUPPORT	(3)
#18	CLIMBING WALL BOARD CENTER	(3)
#19	CLIMBING WALL BOARD OUTER	(5)
#20	CLIMBING WALL BOARD DOUBLE	(2)
#21	CLIMBING WALL BOARD-ROPE	(1)
#22	CLIMBING ROCK	(14)



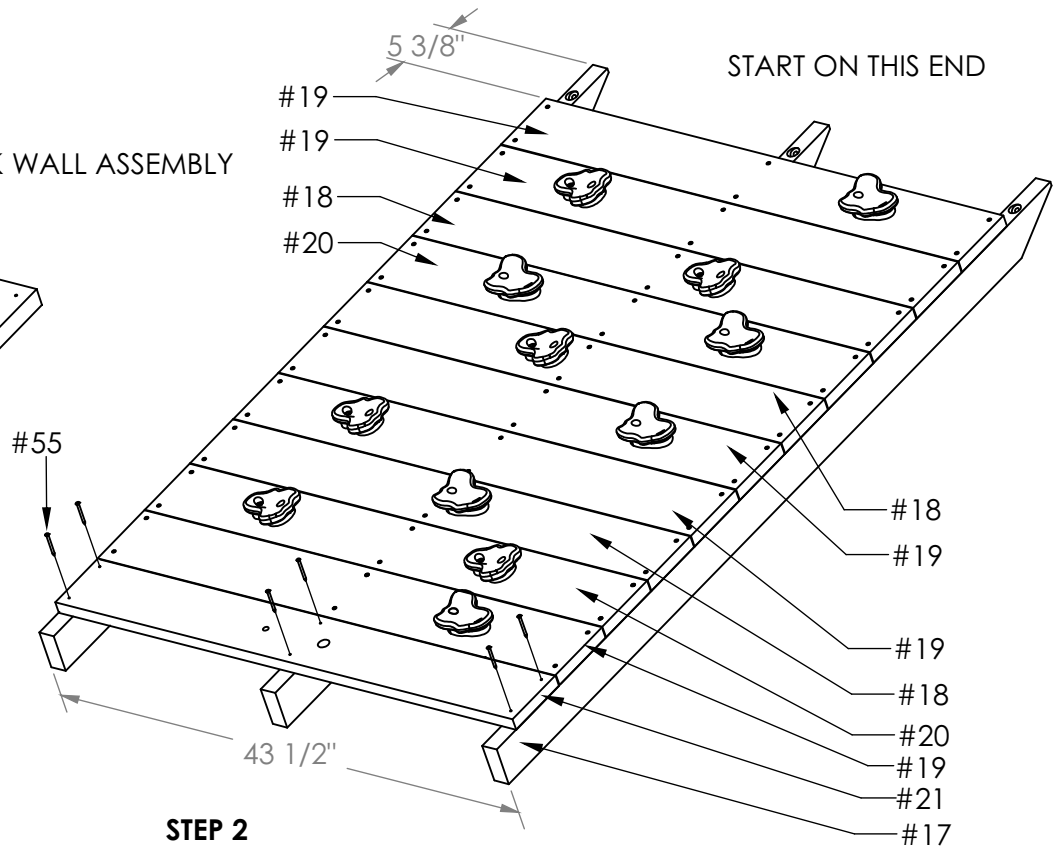
IF **NOT** INSTALLING THE OPTIONAL **ROCK CLIMBING WALL SKIP** PAGE 33 THROUGH 36 AND CONTINUE ON PAGE 37.

**STEP 1**

1. On a flat surface using a hammer pound in item #49 into pre-drilled holes on of items #18, #19, #20, and #21.
2. Attach items #22 to items #18, #19, #20, and #21 using hardware items #44, #50, and #51.

**ROCKS MUST GO ON OPPOSITE SIDE OF T-NUT**

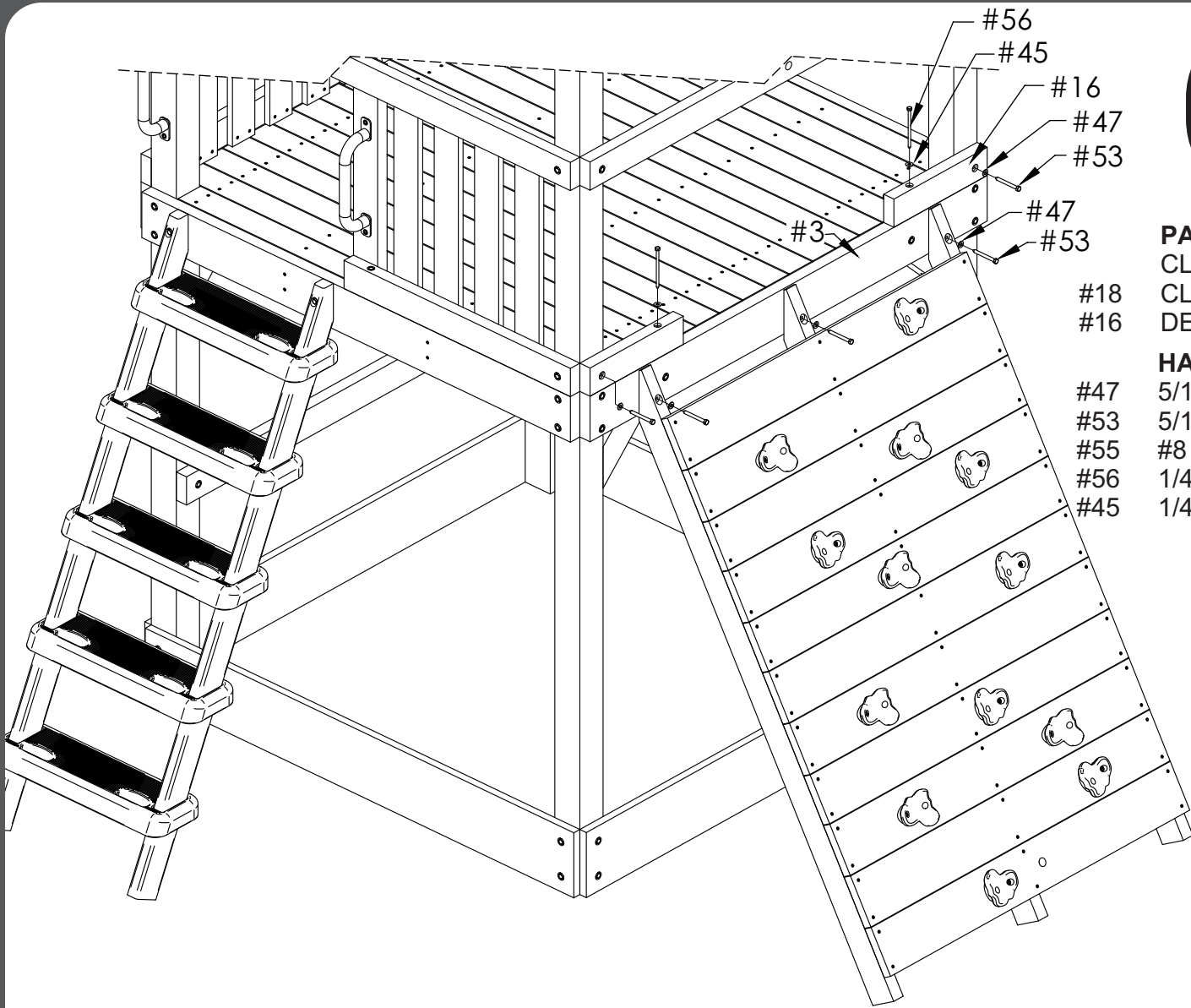
**ROCK CLIMBING WALL ASSEMBLY**



**STEP 2**

1. Lay items #17 on a flat surface, on edge with countersunk holes facing up. The 2 outside item 17's should measure 43 1/2" apart from outside face to outside face. The middle item #17 will be centered under items #18, #19, #20, and #21 as shown.
2. Arrange items #18, #19, #20, and #21 as shown. Attach using hardware #55, making sure that items #18, #19, #20, and #21 are flush with outside face of item #17 and do not have gaps between boards.

# ROCK CLIMBING WALL INSTALLATION



- PARTS NEEDED**
- CLIMBING ROCK WALL ASSEMBLY (1)
  - CLIMBING WALL BOARD CENTER (1)
  - DECK FRAME OPEN (2)
- HARDWARE NEEDED**
- #47 5/16" FLAT WASHER (5)
  - #53 5/16" X 3" LAG SCREW (5)
  - #55 #8 X 2" FLAT HEAD WOOD SCREW (6)
  - #56 1/4 X 4.5" HEX LAG SCREW (2)
  - #45 1/4" FLAT WASHER (2)

1. Attach Deck Frame #16 to Corner post as shown with Lag Screw #53 and washers #47. Make sure the ends of Deck Frame #16 are flush with Corner Posts. Finish attaching part #16 to part #3 with Lag Screw #56 and Washer #45 as shown.
2. Center the Climbing Rock Wall Assembly on part #3 and attach using Lag Screw #53 and Washer #7 as shown. Make sure Climbing Rock Wall assembly is Flush with the top of part #3.
3. Attach remaining Climbing Wall Board #18 using Wood Screws #55.

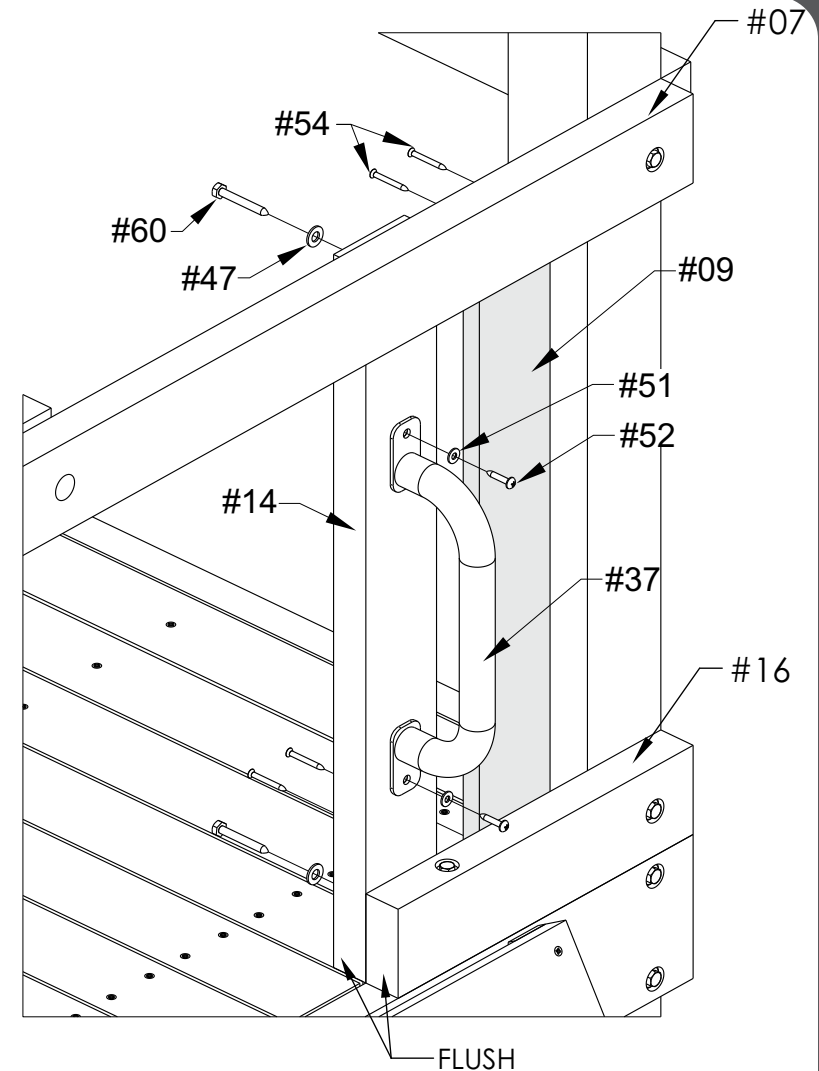
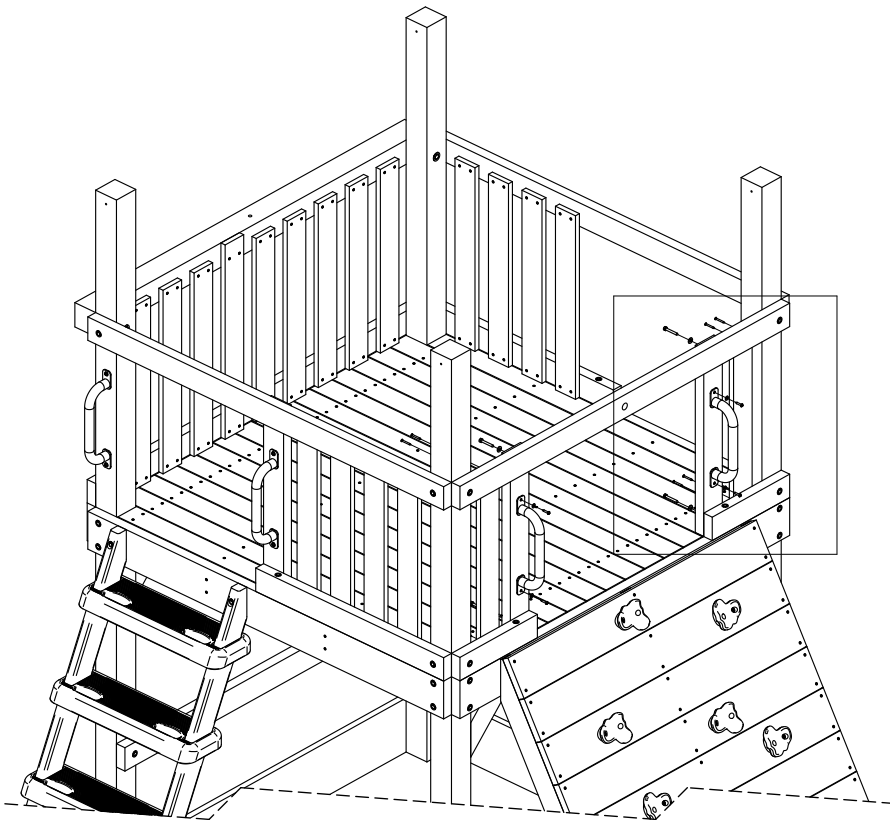
## HANDLE INSTALLATION

### PARTS NEEDED

#14	PANEL DIVIDER	(2)
#09	PANEL SLAT	(2)
#37	HANDLE	(1)

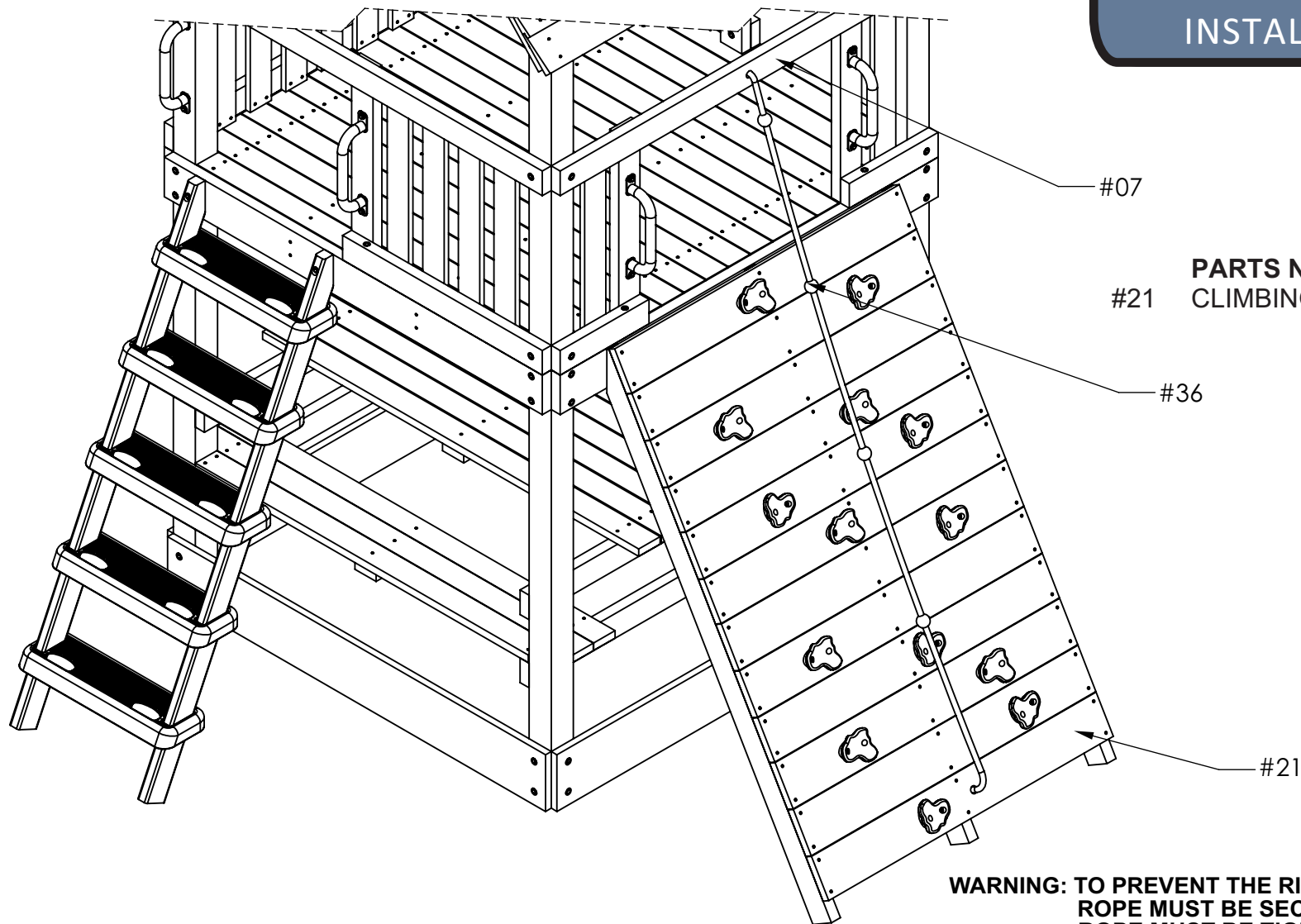
### HARDWARE NEEDED

#47	5/16" FLAT WASHER	(4)
#60	5/16" X 2" LAG SCREW	(4)
#54	#8 X 1.5" WOOD SCREW	(8)
#51	#10 FLAT WASHER	(4)
#52	#10 X 1" SCREW	(4)



1. Attach Panel Divider #14 to parts #16 and #7 using Washer #47 and Lag Screw #60 as shown. Make sure part #14 is flush with part #16.
2. Center Panel Slat #9 evenly between parts #14 and Corner Post and attach to Parts #16 and #7 with Wood Screws #54 as shown.
3. Center Handle #37 on Panel Divider #14 and secure with Round Head Screws #52 and Washers #51.
4. Repeat Steps 1-3 for other side of opening.

## ROPE INSTALLATION



#07

**PARTS NEEDED**  
#21 CLIMBING ROPE (1)

#36

#21

**WARNING: TO PREVENT THE RISK OF STRANGULATION  
ROPE MUST BE SECURED AT BOTH ENDS.  
ROPE MUST BE TIGHT ENOUGH THAT IT  
CANNOT BE LOOPED BACK ON ITSELF.**

1. Insert item #36 into hole in item #07 and tie a double knot on the back side of item #07.
2. Tie four single knots evenly spaced along the remaining length of item #36.
3. Insert end of item #36 into hole in item #21 and tie a double knot on the back side of item #21.



IF INSTALLING THE  
OPTIONAL **ROCK  
CLIMBING WALL SKIP**  
PAGE 37 AND 38 AND  
CONTINUE WITH  
PAGE 39.

## SAFETY RAIL INSTALLATION

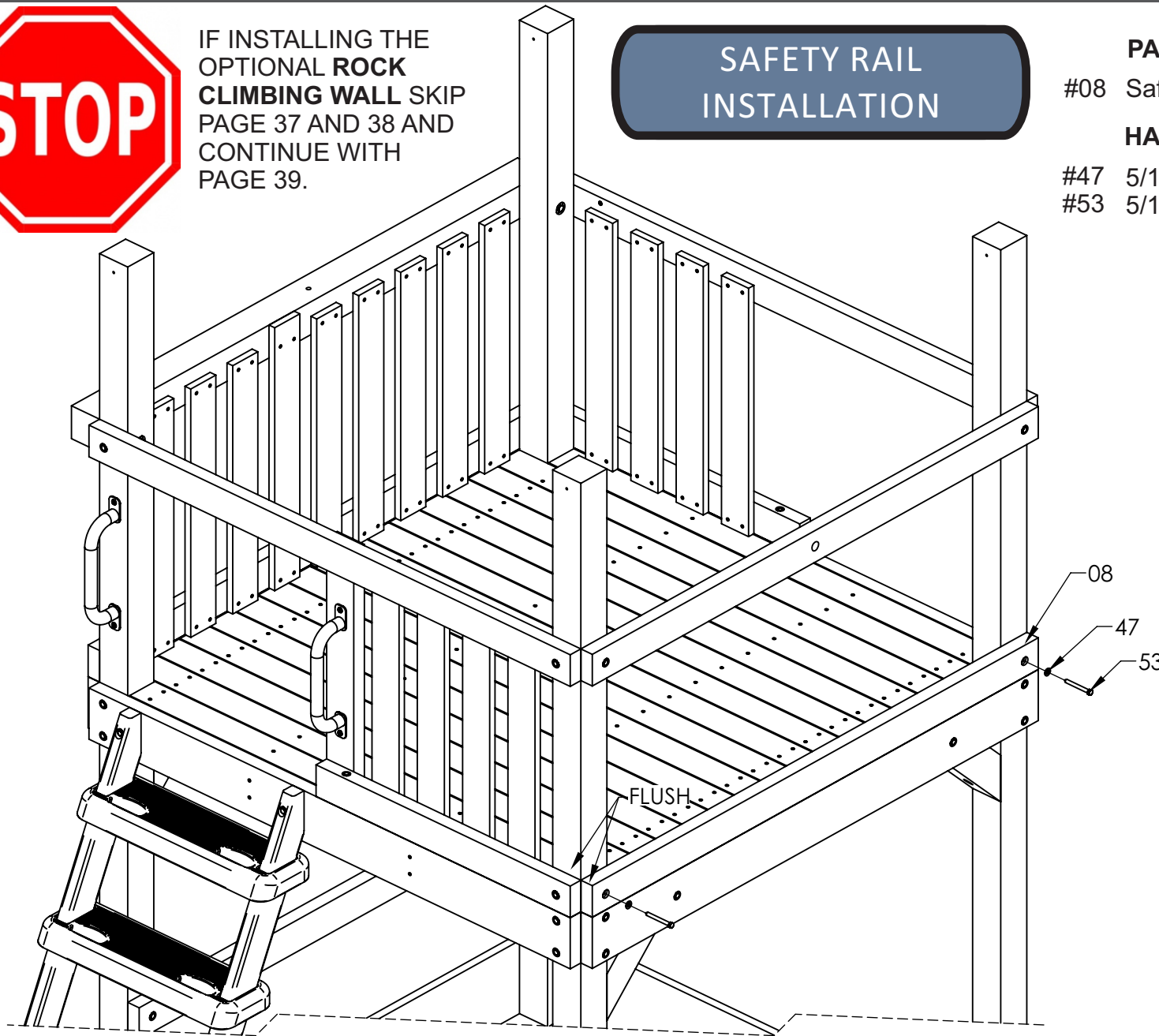
### PARTS NEEDED

#08 Safety Rail Full (1)

### HARDWARE NEEDED

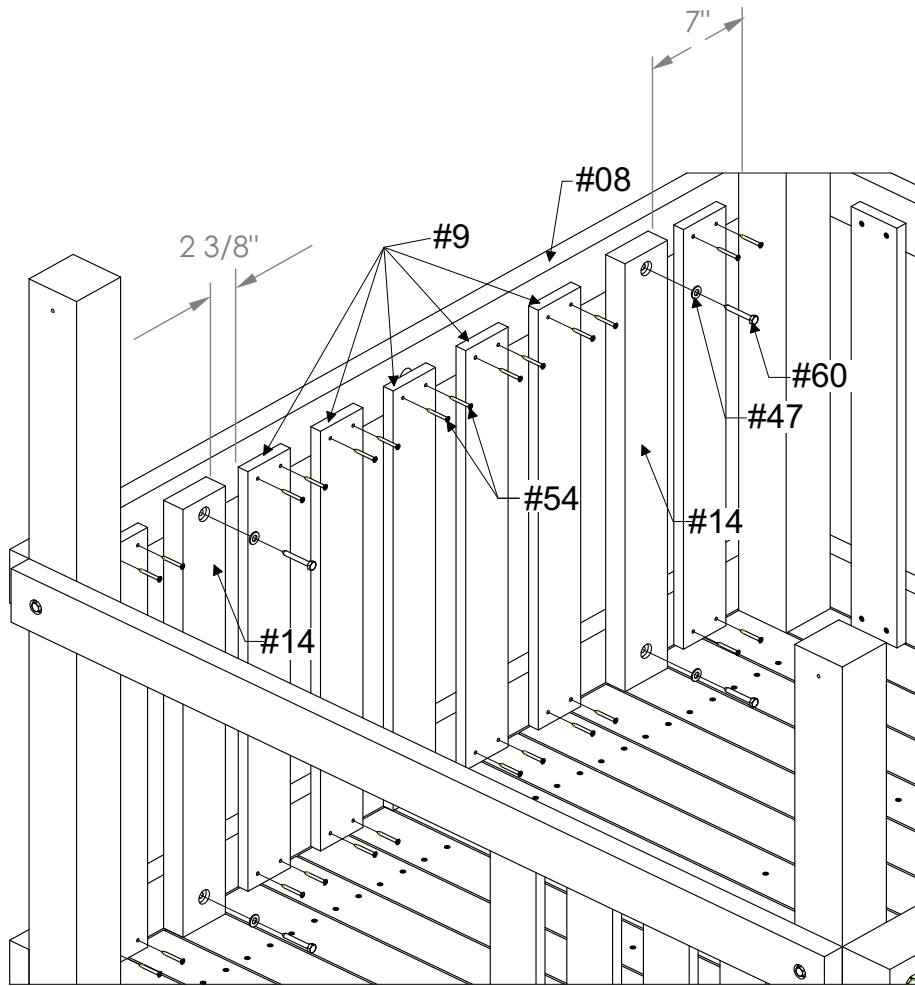
#47 5/16" FLAT WASHER (2)

#53 5/16" X 3" LAG SCREW (2)



1. Attach Safety Rail Full #08 to Corner Posts as shown using Flat Washer #47 and Lag Screw #53. Make sure ends of Safety Rail Full #8 are **FLUSH** with Corner Posts.

## PANEL SLAT INSTALLATION



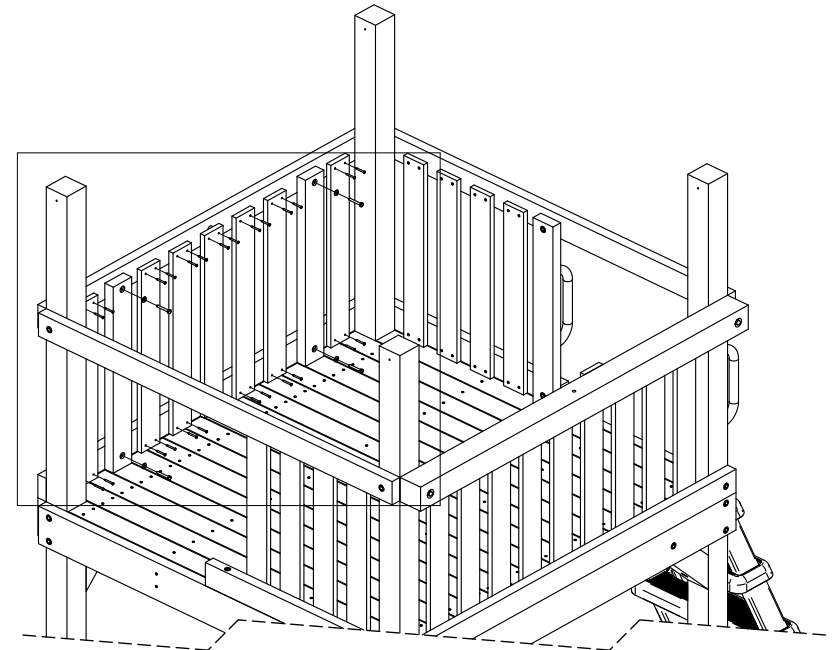
### PARTS NEEDED

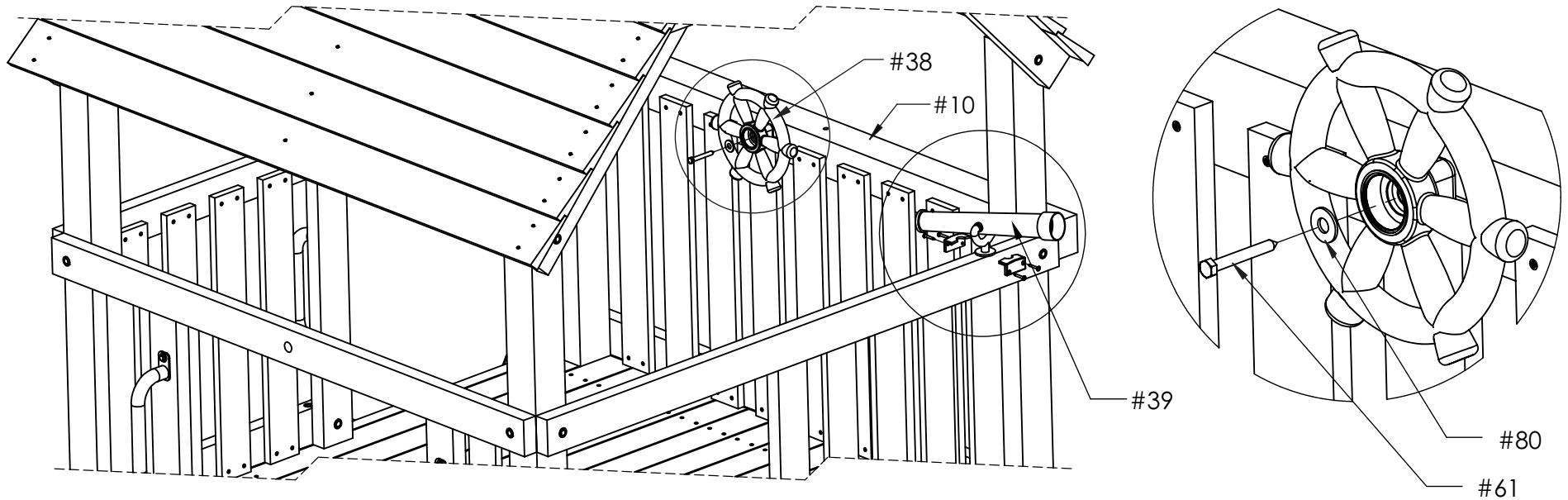
#14	PANEL DIVIDER	(2)
#09	PANEL SLAT	(7)

### HARDWARE NEEDED

#47	5/16" FLAT WASHER	(4)
#60	5/16" X 2" LAG SCREW	(4)
#54	#8 X 1.5" WOOD SCREW	(21)

1. Attach Panel Divider #14 to parts #08 and #07 using Washer #47 and Lag Screw #60 as shown.
2. Center one Panel Slat #09 evenly between parts #14 and Corner Posts and attach to parts #08 and #07 with Wood Screws #54 as shown.
3. Attach Panel Slats #09 evenly spaced 2 3/8" apart and attach with Wood Screws #54.





## SHIPS WHEEL AND TELESCOPE INSTALLATION

### PARTS NEEDED

- |     |                    |     |
|-----|--------------------|-----|
| #38 | SHIPS WHEEL        | (1) |
| #39 | TELESCOPE ASSEMBLY | (1) |

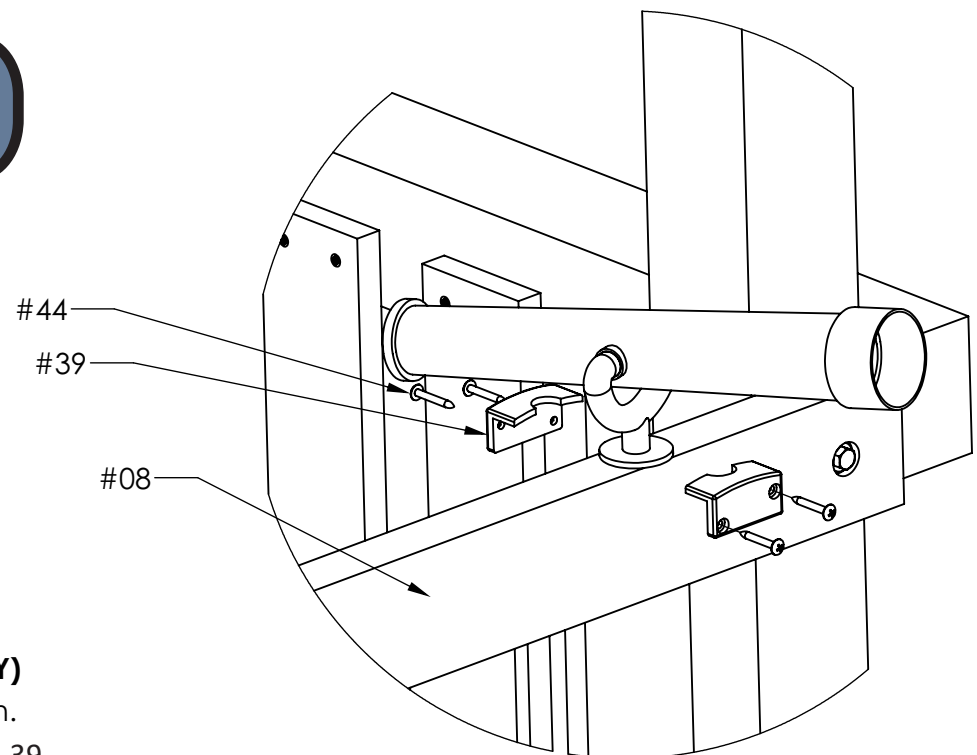
### HARDWARE NEEDED

- |     |                             |     |
|-----|-----------------------------|-----|
| #44 | #8 X 1.25" ROUND HEAD SCREW | (4) |
| #80 | 3/8" STANDARD WASHER        | (1) |
| #61 | 5/16" X 4" LAG SCREW        | (1) |

1. Attach item #38 to item #10 as shown using hardware #80 and #61.

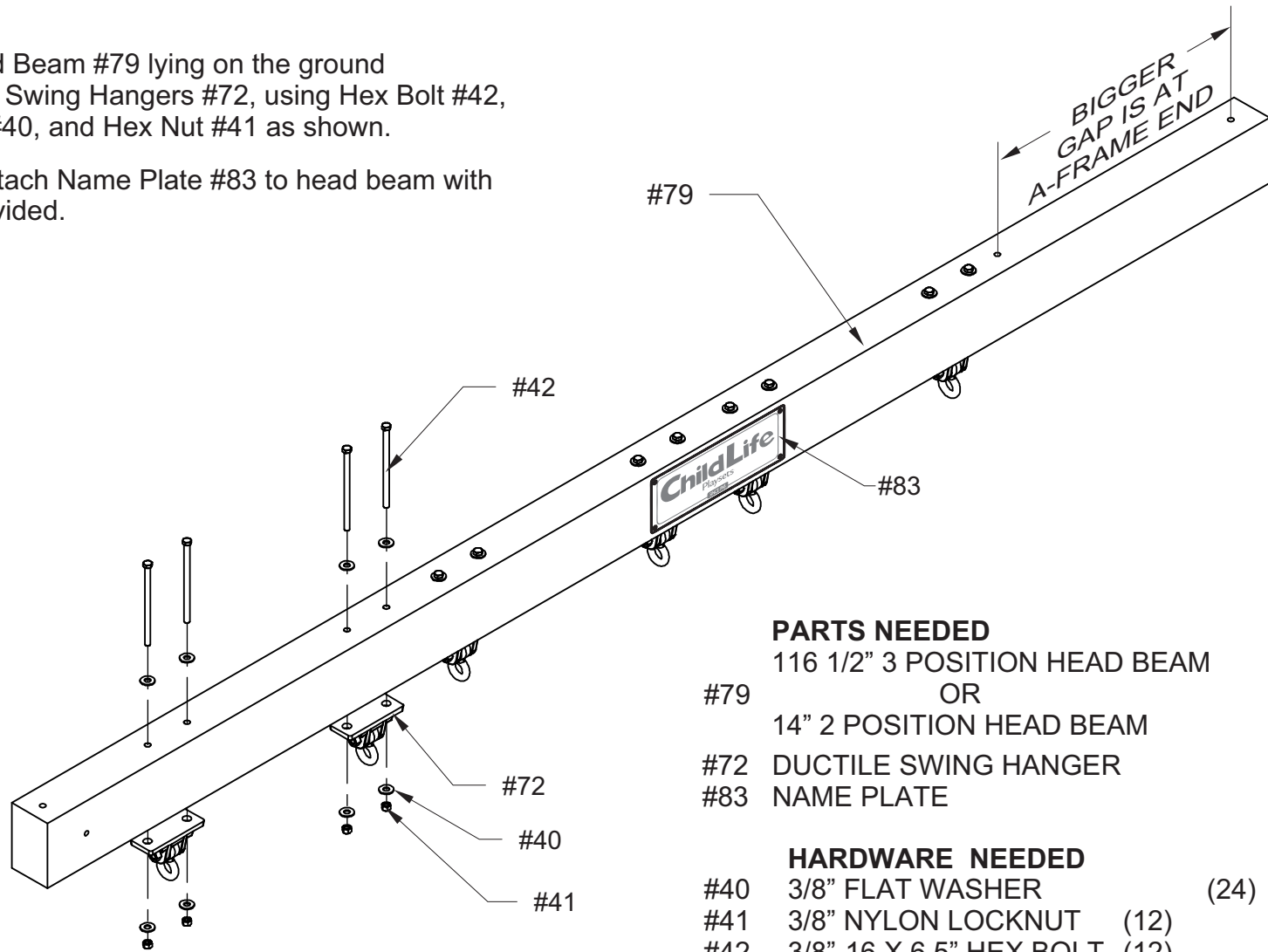
**(DO NOT OVER TIGHTEN ITEM #48 SHIPS WHEEL SHOULD SPIN FREELY)**

2. Attach item #39 to item #08 using hardware item #44 as shown.



# SWING HANGER ASSEMBLY

1. With the Head Beam #79 lying on the ground attach Ductile Swing Hangers #72, using Hex Bolt #42, Flat Washer #40, and Hex Nut #41 as shown.
2. Center and attach Name Plate #83 to head beam with hardware provided.



### PARTS NEEDED

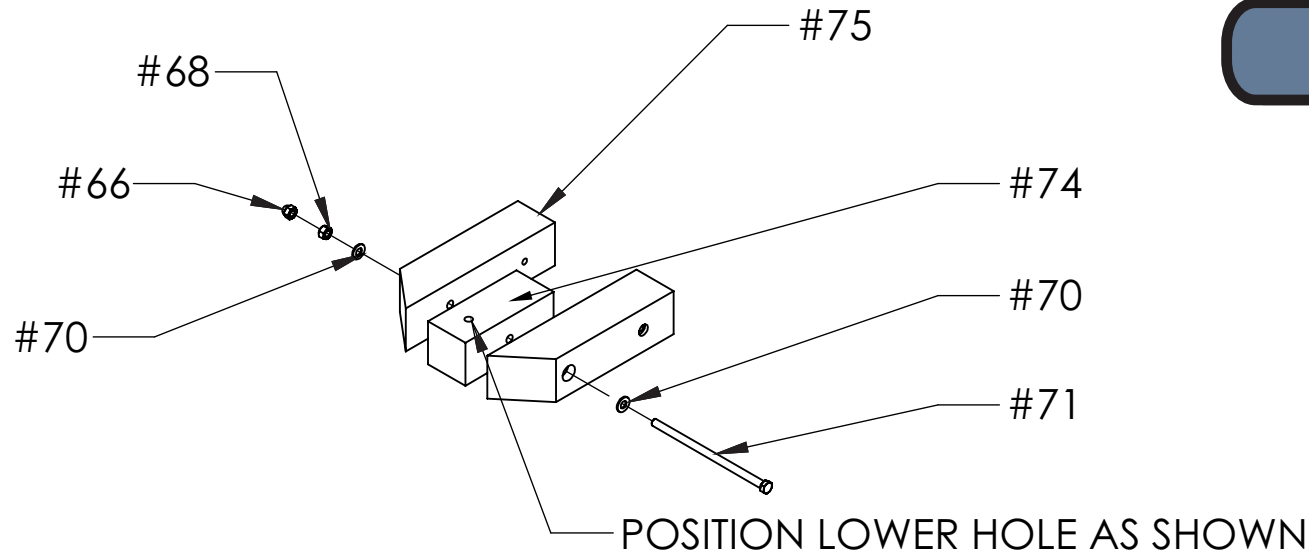
	116 1/2" 3 POSITION HEAD BEAM	(1)
#79	OR	
	14" 2 POSITION HEAD BEAM	(1)
#72	DUCTILE SWING HANGER	(6)
#83	NAME PLATE	(1)

### HARDWARE NEEDED

#40	3/8" FLAT WASHER	(24)
#41	3/8" NYLON LOCKNUT	(12)
#42	3/8"-16 X 6.5" HEX BOLT	(12)



## U-SHAPED BRACKET ASSEMBLY



### PARTS NEEDED

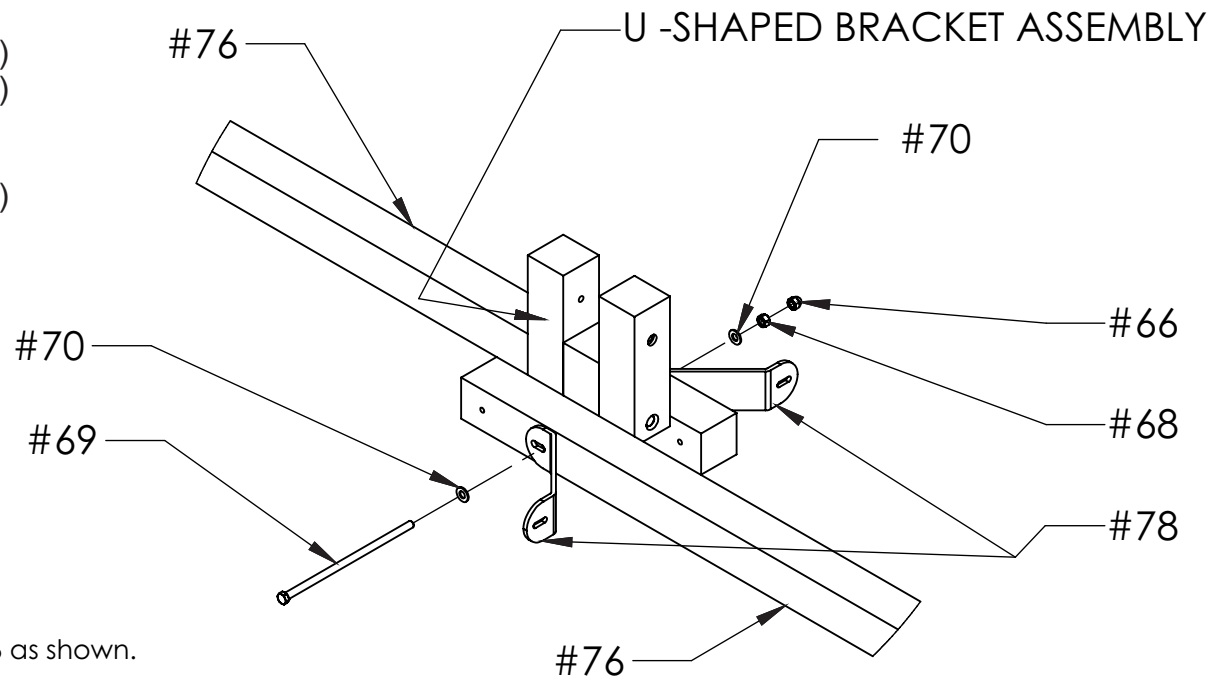
- |     |                            |     |
|-----|----------------------------|-----|
| #74 | U-JOINT CENTER SPACE BLOCK | (1) |
| #75 | U-JOINT OUTSIDE            | (1) |
| #76 | 112" A-FRAME LEG           | (2) |
| #78 | ANGLE BRACKET              | (2) |

### HARDWARE NEEDED

- |     |                          |     |
|-----|--------------------------|-----|
| #66 | 1/2"-13 ACORN NUT        | (2) |
| #69 | 1/2"-13 X 11.5" HEX BOLT | (1) |
| #70 | 1/2" FLAT WASHER         | (4) |
| #71 | 1/2"-13 X 10" HEX BOLT   | (1) |
| #68 | 1/2"-13 NYLON LOCKNUT    | (2) |

1. Arrange U-Shaped Bracket using item #75, and #74 as shown.
2. Using hardware items #66, #70, #71, and #76 assemble U-Shaped Bracket.
3. Lay items #76 on flat surface as shown.
4. Arrange U shaped Bracket Assembly and items #76 as shown.
5. Bolt item #78, U Shaped Bracket Assembly, and Items #76 together as shown. Using hardware items #66, #69, #70, and #76.

**DO NOT TIGHTEN HARDWARE AT THIS TIME**



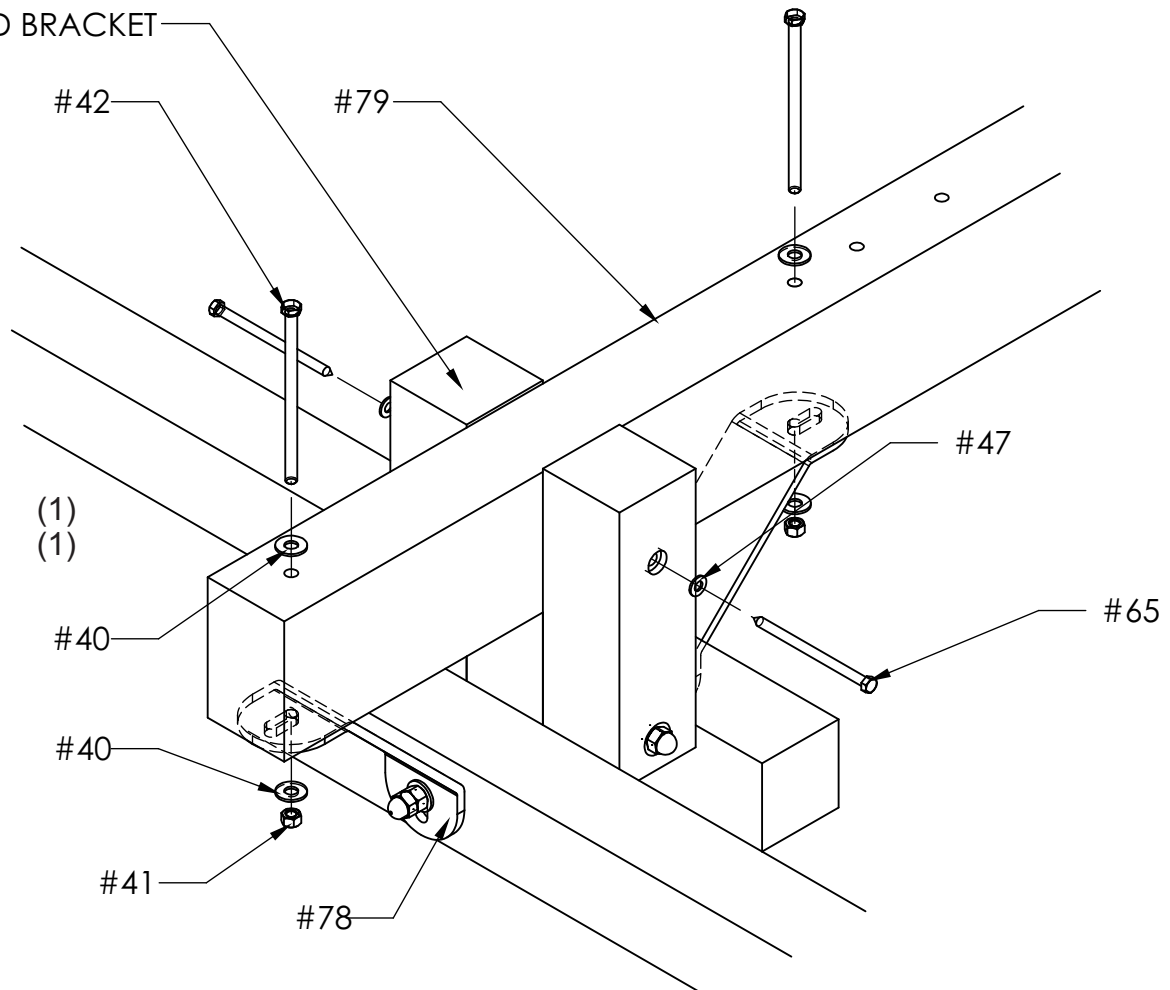
## HEAD BEAM TO A-FRAME ASSEMBLY

### PARTS NEEDED

#79 U-SHAPED BRACKET ASSEMBLY (1)  
 116 1/2" 3 POSITION HEAD BEAM (1)

### HARDWARE NEEDED

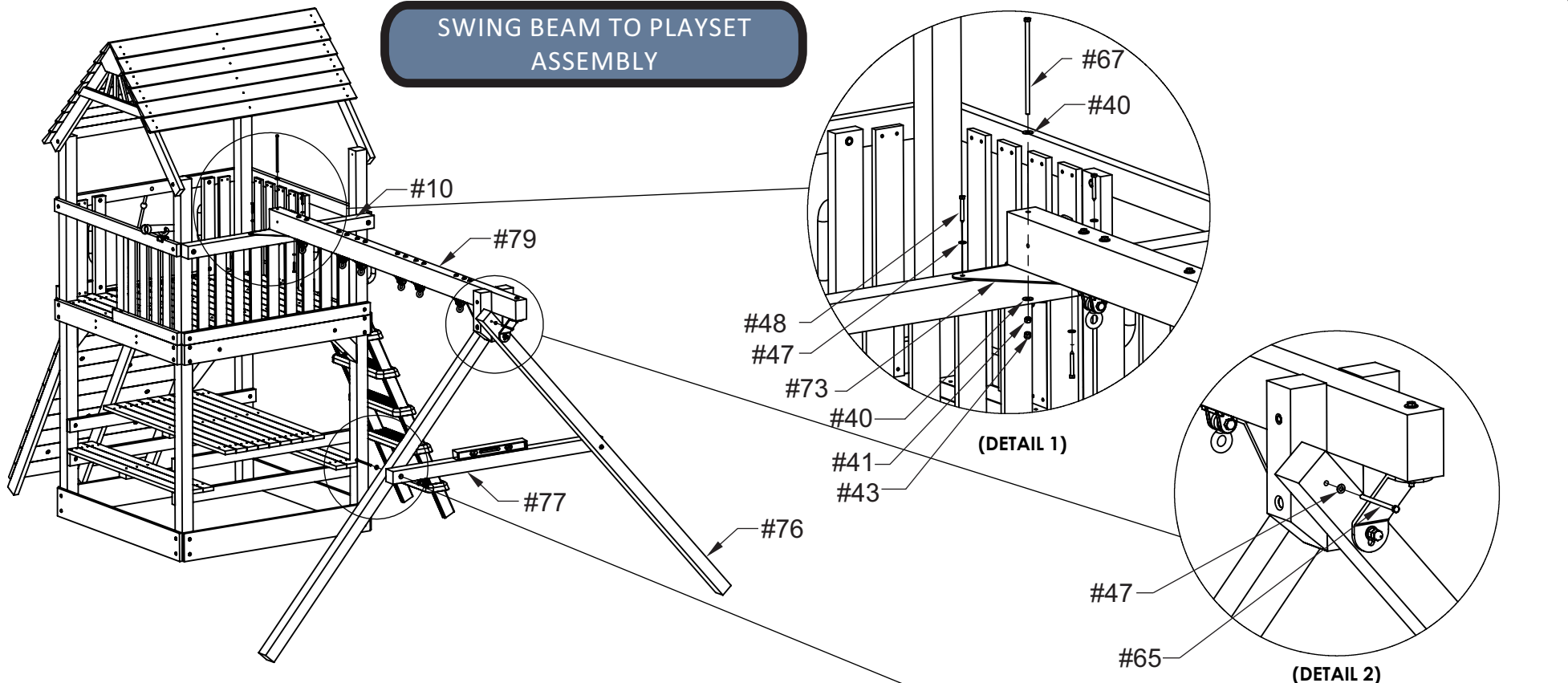
#40 3/8" FLAT WASHER (4)  
 #41 3/8" NYLON LOCKNUT (2)  
 #42 3/8"-16 x 6.5" HEX BOLT (2)  
 #47 5/16" FLAT WASHER (2)  
 #65 5/16" X 5" LAG SCREW (2)



**(Prop up the end of 3 Position Head Beam #79, 6" for it to lay flat in the U-Shaped Bracket)**

1. Place item #79 into the U-Shaped Bracket and line up item #78 to the two single holes in the end of item #79 and attach using hardware items #40, #41, and #42.
2. When item #79 is sitting flat in the U-Shaped Bracket, attach with hardware items #47, #65 from each side as shown.

## SWING BEAM TO PLAYSET ASSEMBLY



### PARTS NEEDED

#73	HEAD BEAM ASSEMBLY (1)
	SWING BEAM PLATE (1)

### HARDWARE NEEDED

#38	5/16" FLAT WASHER	(5)
#40	3/8" FLAT WASHER	(6)
#86	3/8"-16X6.5" CARR.BOLT	(2)
#41	3/8" NYLON LOCKNUT	(3)
#43	3/8"-16 ACORN NUT	(2)
#65	5/16" X 5" LAG SCREW	(2)
#67	3/8"-16 X 9" HEX BOLT	(1)
#48	5/16" X 2.5" LAG SCREW	(3)
#40	3/8" LOCK WASHER	(2)
#85	3/8" STANDARD NUT	(2)
#70	1/2" FLAT WASHER	(2)

**(Before raising the Headbeam Assembly, place the hardware needed to attach the Head Beam up in the play set so it will be available when needed.)**

1. With a helper, carefully lift the Head Beam Assembly from both ends until it is level with item #10 of play set, while bringing items #76 together to support the Head Beam Assembly. Place the Head Beam Assembly and #73 on top of item #10 careful it does not slip off and fall. With one person in the play set and the other steadying the A-Frame, bolt the Head Beam Assembly and part #73 to the play set as shown. **(SEE DETAIL 1)**
2. Place item #77 into position between items #76 as shown. Using a level determine and mark the location of the holes to be made in items #77 so that the holes to be made is centered on items #77. Mark the location on one side and drill a 3/8" hole in items #76, attach using hardware #86, #70, #40, #85, #84 and #43. **(SEE DETAIL 3)**

3. Once item #79, and item #77 are in place attach items #76 to U-JOINT ASSEMBLY using hardware items #47 and #65 as shown. **(SEE DETAIL 2)**

# ChildLife® Playsets

ChildLife Limited Lifetime  
& TwoYear Warranties

Subject to proper installation and normal residential use, Escalade Sports warrants, subject to the limitations stated below, to the original retail purchaser, all chain, seats, swing hangers, hardware, metal braces, ropes and accessories to be free from defects in material and workmanship for a period of two years from date of purchase. Cracks in non-functional plastic components are not considered defects in materials and workmanship if they do not affect the functionality of the playset. Merchandise covered under this limited two-year warranty will, at our option, be repaired or replaced, excluding **any freight or labor fees that may be required.**

In addition, for the lifetime of the playset, Escalade Sports warrants, to the original retail purchaser, all wooden components against structural failure due to corrosion, wood rot, or insect infestation. **Seasonal checks and surface cracks, knotholes and knots, natural characteristics of all wooden play equipment, not resulting in structural failure, are not covered under this warranty.**

Timber is a natural material which can absorb and release moisture. Although this product is designed to minimize this effect, in certain circumstances some movement or distortion is unavoidable. During dry hot weather timber may shrink and check - this is a normal process of weathering. After the first year of service it is advisable to apply a non-toxic stain / sealant safe for children's use.

Components covered under this limited lifetime warranty will be replaced free of charge excluding freight and labor fees.

**Non-residential use of the playset is prohibited and voids the warranty as the playsets are designed for residential use only.**

Escalade Sports reserves the right to examine photographs and/or physical evidence of merchandise claimed to be defective, and to recover said merchandise, prior to disposition of warranty claims. Merchandise returned to our factory for examination or recovery must be shipped freight prepaid, unless a Return Authorization Number is issued.

No warranty is offered on equipment subjected to abuse, negligence, improper installation, vandalism, acts of God, unauthorized alteration or attachment to equipment other than our own, or improper use, service or repair by customer or any third party. Escalade Sports assumes no responsibility for incidental or consequential damages which may arise from the purchase or use of our equipment. Please supervise your children's play activity and maintain your play equipment periodically.

THIS WARRANTY IS EXPRESSLY IN LIEU OF ALL OTHER WARRANTIES, EXPRESSED OR IMPLIED, INCLUDING WARRANTIES OF MERCHANTABILITY OR FITNESS FOR USE. CHILDLIFE PLAYSETS DOES NOT ASSUME, OR AUTHORIZE ANY PERSON TO ASSUME FOR US, ANY OTHER LIABILITY IN CONNECTION WITH THE SALE OF OUR PRODUCTS.

**For warranty service, contact:**

Childlife Playsets  
Escalade Sports  
P.O. Box 889  
Evansville, IN 47706  
1-800-GO-SWING

Or E-Mail us at: [playgroundcs@escaladesports.com](mailto:playgroundcs@escaladesports.com)

Revised 2014