

PRODUCT SPECIFICATIONS

Elkay Flexi-Guard® Safety Bubbler Classroom Bubbler. Overall dimensions are 5-1/16" x 1-15/16" x 5-11/16". Made of Chrome-plated Brass.

Special Features:	Flexi-Guard Bubbler, Solid Brass Construction
Installation Type:	Deck Mount
Material:	Chrome-plated Brass
Finish:	Chrome (CR)
Dimensions:	5-1/16" x 1-15/16" x 5-11/16"
Shipping Weight:	3 lbs.

- Flexi-Guard bubbler provides a flexible antimicrobial mouth guard that protects against injury and microorganisms from growing on it.
- Push-button valve bubbler designed so that water never comes in contact with lead-containing materials.
- Built-in adjustable water volume control regulates flow from 20 PSI to 105 PSI.
- Heavy chrome-plated body with a 1/2" (13mm) straight pipe thread connection.
- Requires one faucet hole.
- 2-5/8" max from centerline of bubbler to edge of sink bowl for countertop installations.



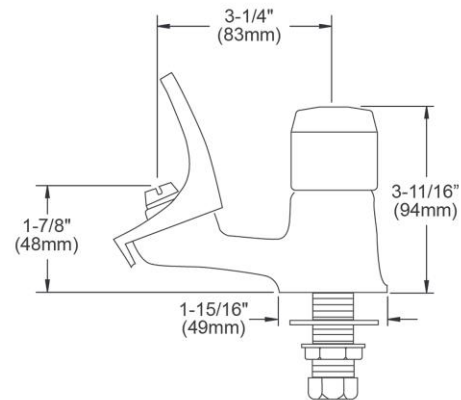
A Century of Tradition and Quality. For more than 100 years, Elkay has been making innovative products and providing exceptional customer care. We take pride in offering plumbing products that make life easier, inspire change and leave the world a better place.



Product Compliance: ADA & ICC A117.1
ASME A112.18.1/CSA B125.1
NSF 372 (lead free)
NSF 61 (Q≤1)



[Clean and Care Manual \(PDF\)](#)
[Installation Instructions \(PDF\) - A55068](#)
[Warranty \(PDF\)](#)



PART: _____ QTY: _____
 PROJECT: _____
 CONTACT: _____
 DATE: _____
 NOTES: _____
 APPROVAL: _____

In keeping with our policy of continuing product improvement, Elkay reserves the right to change product specifications without notice. Please visit elkay.com for the most current version of Elkay product specification sheets. This specification describes an Elkay product with design, quality, and functional benefits to the user. When making a comparison of other producers' offerings, be certain these features are not overlooked.