

ITEM# 83430

Slate Corner Computer Desk

Leick
FURNITURE EST. 1910

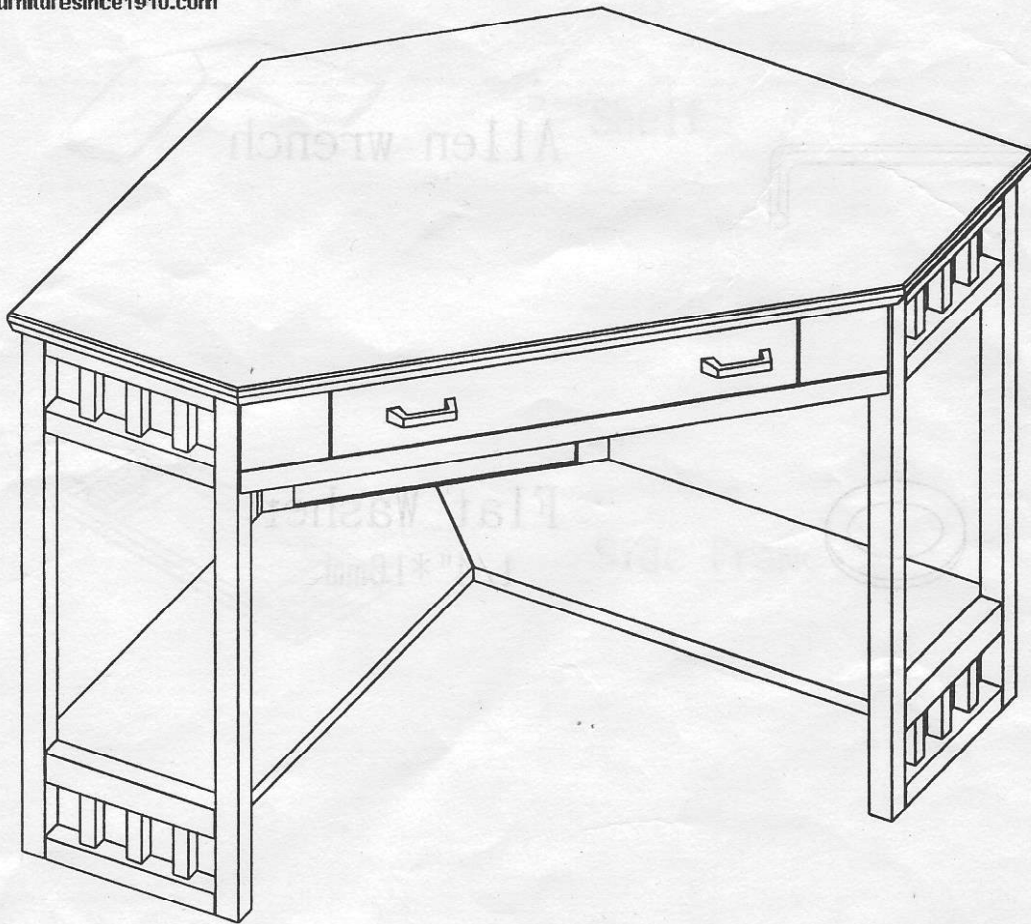
Designs for that Finishing Touch

2219 S. 19th St.
Sheboygan, WI 53081

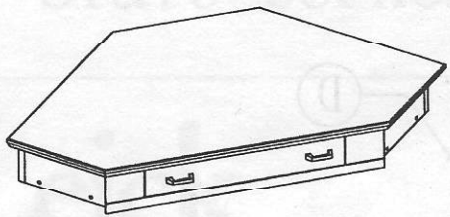
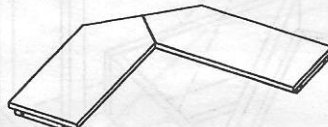
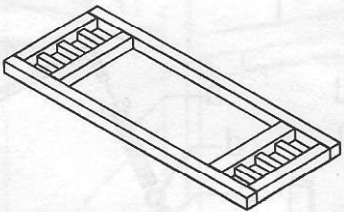
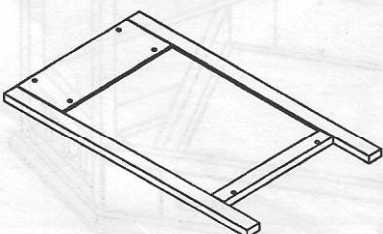
Ph: 920-451-4060

Fax: 920-451-4063

Info@leickfurnituresince1910.com



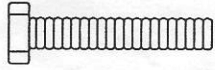
Parts List

Item	Description	Qty	
A	 A perspective drawing of the top assembly, which is a rectangular wooden cabinet with two drawers on the front side.	Top Assembly	1PC
B	 A perspective drawing of an L-shaped wooden shelf.	Shelf	1PC
C	 A perspective drawing of a rectangular wooden side frame with a slatted interior.	Side Frame	2PCS
D	 A perspective drawing of a rectangular wooden back frame with a slatted interior.	Back Frame	1PC

Hardware List

Item	Description	Qty
------	-------------	-----

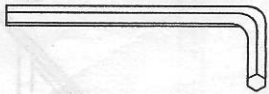
a



Bolt
1/4" * 1 1/4"

18PCS

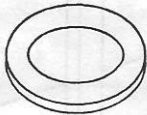
b



Allen wrench

1PC

c



Flat Washer
1/4" * 16mm

18PCS

d



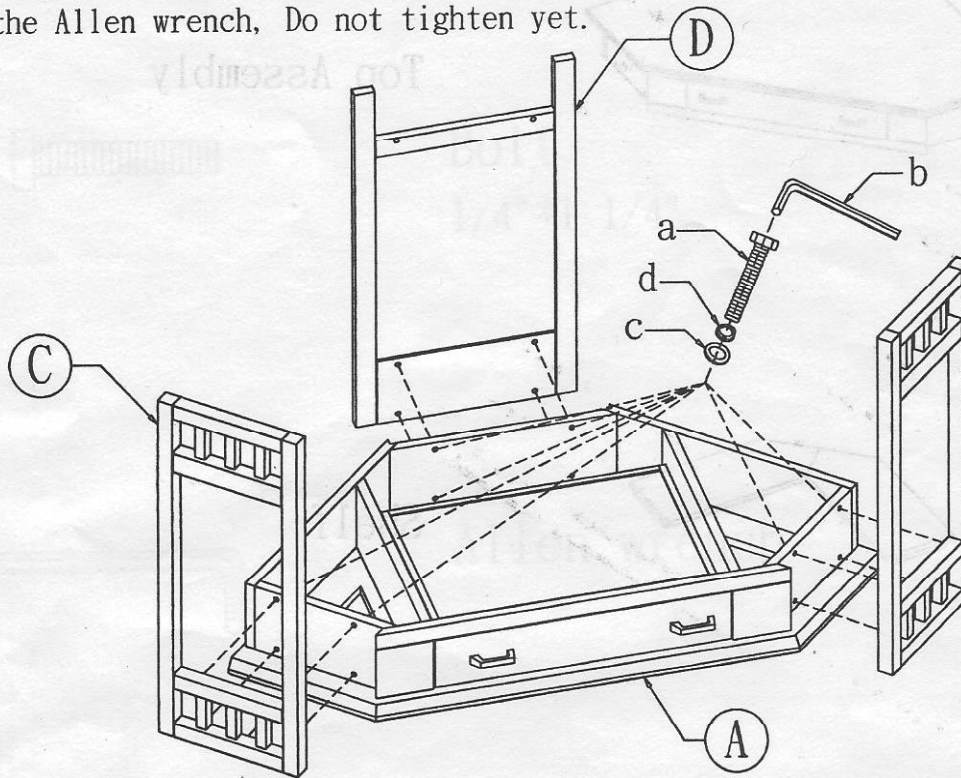
Lock Washer

18PCS

Assembly Instructions

step 1

Fasten (2) side frames and back frame with (12) bolts, flat washers and lock washers using the Allen wrench, Do not tighten yet.



step 2

Fasten the shelf to the side frames and the back frame with (6) bolts and flat washers and lock washers, tighten. Now tighten all bolts in step 1.

