

# STEELMAN®

## UTILITY CART OPERATOR'S MANUAL



---

**⚠ CAUTION:** To reduce the risk of injury, user must read and understand this operator's manual. Save these instructions for future reference.

# TABLE OF CONTENTS

SAFETY AND WARNINGS .....	2
ASSEMBLY INSTRUCTIONS .....	5
PRODUCT FEATURES .....	6
WARRANTY.....	7

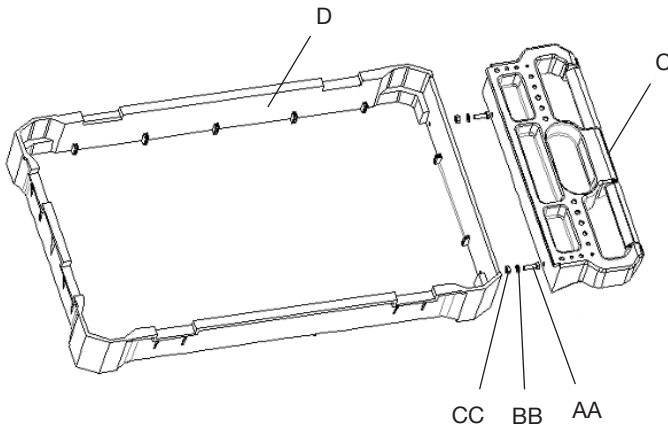
## SAFETY AND WARNINGS

- ⚠ CAUTION:** To reduce the risk of injury, user must read and understand operator's manual. Save these instructions for future reference.
- ⚠ WARNING:** Be sure to read and understand all safety instructions in this manual, including all safety alert symbols such as "danger", "warning", and "caution" before using this cart. Failure to follow all instructions listed below may result in serious personal injury.
- Wear safety glasses when assembling this product.
  - Do not alter this product in any manner. This may cause product damage or personal injury.
  - Keep the product on a level surface. The product may become unstable and tip if stored or moved on an unlevel surface, and may cause personal injury or product damage.
  - The maximum loaded weight for this unit is not more than 250 lb. (113 kg) per shelf and 500 lb. (227 kg) total.
  - Always wear safety goggles when working with tools and equipment.
- ⚠ WARNING:** To prevent personal injury and/or property damage, distribute the weight in this item evenly.
- ⚠ CAUTION:** Do not stand on this product. You may fall, which may cause personal injury. Do not exceed a maximum load of 250 lb. (113 kg) per shelf.

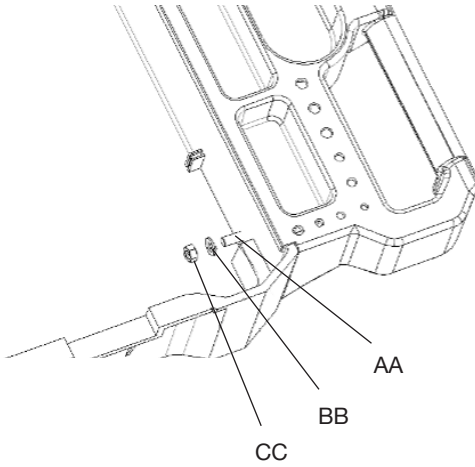
## ASSEMBLY INSTRUCTIONS

### HANDLE MOUNTING

Handle (C) is connected to upper tray (D) by M6 bolts (AA), M6 washers (BB), and M6 hex nuts (CC). Do not overtighten.

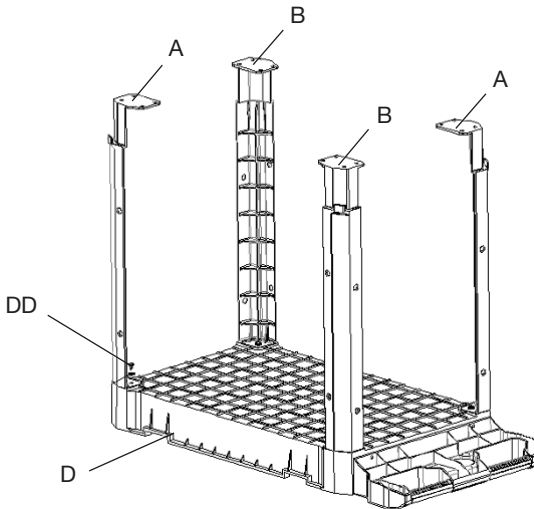


# ASSEMBLY INSTRUCTIONS



## LEG ASSEMBLY

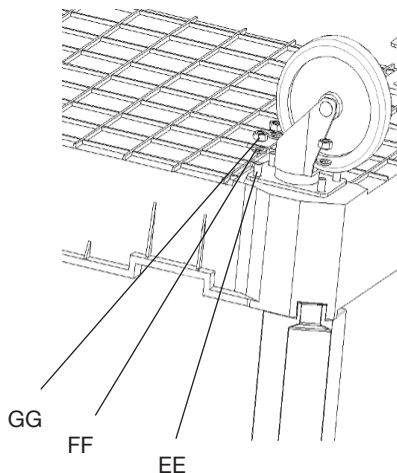
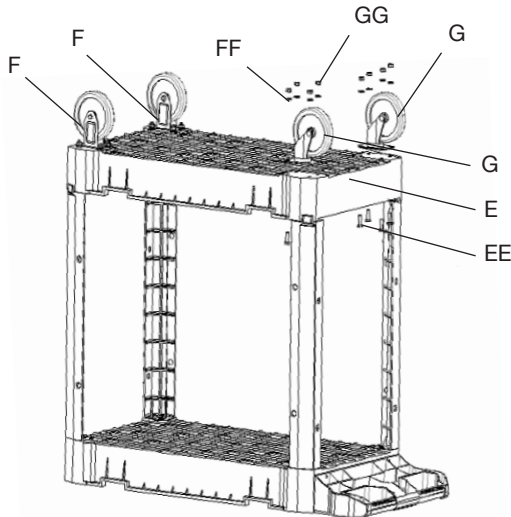
1. With the top tray (D) upside down on the floor, attach the legs (A and B) to the top tray as shown. Using a rubber mallet (not included) to seat the legs completely into place.
2. Using a Phillips screwdriver (not included), secure the legs (A and B) to the top tray (D) with the Phillips head tapping screws (DD) (one per leg). Do not overtighten.



# ASSEMBLY INSTRUCTIONS

## BOTTOM TRAY AND CASTERS ASSEMBLY

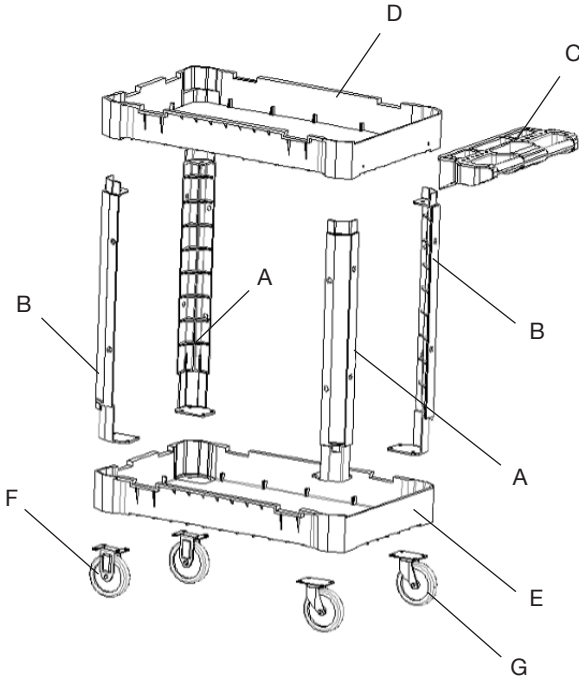
1. Position the bottom tray (E) upside down, over the legs (A and B) as shown.
2. Place the fixed casters (F) into the front corners of the bottom tray as shown, align the mounting holes to the bottom tray. Secure with M8 bolts (EE), M8 lock washers (FF), and hex nuts (GG), 4 ea per caster.
3. Place the swivel casters (G) into the back corners of the bottom tray (E) as shown, align the mounting holes to the bottom tray. Secure with M8 bolts (EE), M8 lock washers (FF), and hex nuts (GG), 4 ea per caster.
4. Verify all screws, bolts and hex nuts are properly tightened before using.



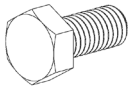
# PRODUCT FEATURES

PART	DESCRIPTION	QTY
A	Leg	2
B	Leg	2
C	Handle	1
D	Top Tray	1
E	Bottom Tray	1
F	Fixed Caster	2
G	Swivel Caster	2

PART	DESCRIPTION	QTY
AA	M6*20mm Bolt	2
BB	M6 Washer (12 mm)	2
CC	M6 Hex Nut	2
DD	M6.3*13 mm Phillips Head Tapping Screw	4
EE	M8-25 mm Bolt	16
FF	M8 Locking Washer	16
GG	M8 Hex Nut	16



AA



BB



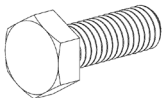
CC



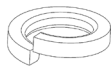
DD



EE



FF



GG



## WARRANTY



### 1 YEAR | LIMITED WARRANTY

This STEELMAN® product is backed by a 1 Year Limited Warranty. This warranty covers manufacturer defects and workmanship. The warranty excludes misuse or abuse and normal wear and tear. Exclusion is not allowed in some states and may not apply. This warranty gives you specific legal rights, and you may have other rights, which vary from state to state.

For questions / comments, technical assistance or repair parts,  
Please call toll free at: 1-855-706-1550 (M-F 6am - 4:30pm PST)

Before sending a unit back for repair, an RMA (return materials authorization) number must be obtained and written on the outer shipping box. Please submit a ticket online at <http://www.steelmantools.com/contacts> to receive an RMA number. We will determine if the unit needs to come in for repairs or replacement. Warranty claims that cannot be processed through the point of purchase and any other product related questions should be addressed directly to JS Products.





# STEELMAN®

03.20.2024

JS PRODUCTS • 6445 MONTESSOURI STREET • LAS VEGAS, NV 89113  
CUSTOMER SERVICE: 1-855-706-1550 • [WWW.STEELMANTOOLS.COM](http://WWW.STEELMANTOOLS.COM)