



---

**Extended Warranty  
Sign Up**

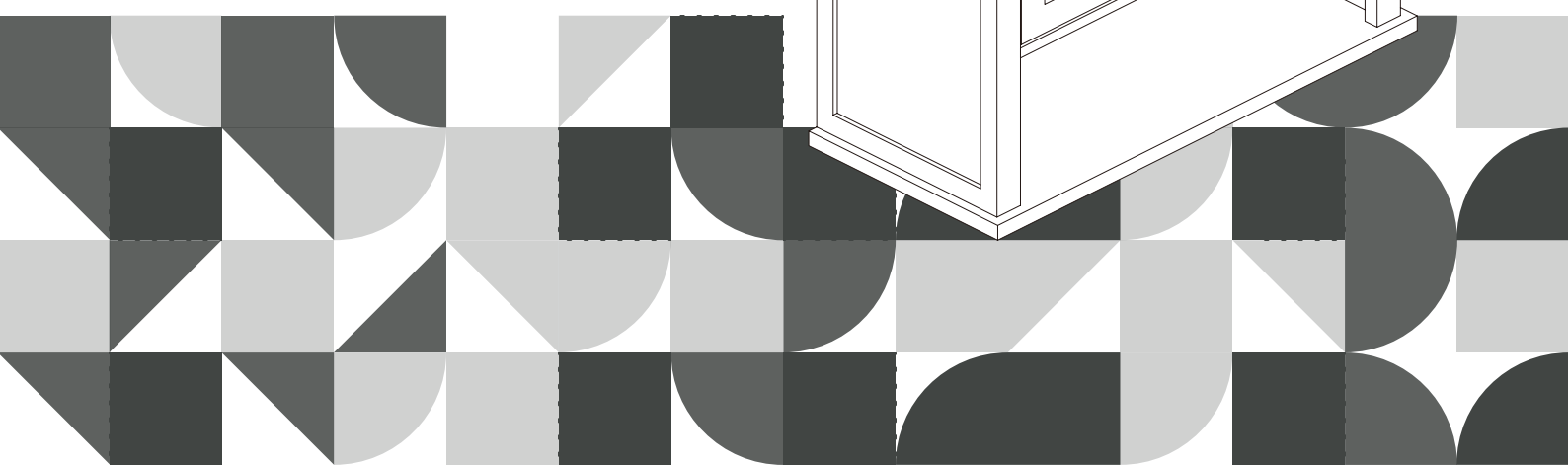
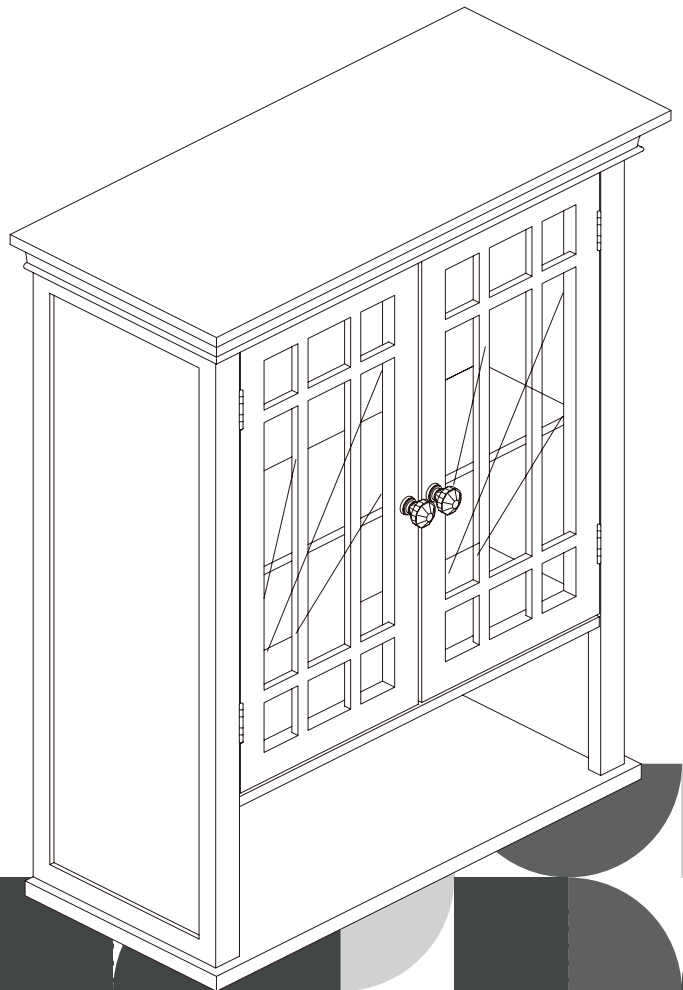
---

**E-1**

# Welcome home!

**ELG-527/532**

**TEAMSON HOME  
Wall Cabinet with  
2 Doors**





**Questions? Comments? Need help?  
Call or email us any time!**

## Global Customer Service

**USA**

**+1(800)935-3959**

Mon - Fri 10:00am ~ 2:00pm EST  
✉ support@teamson.com

**EU/UK**

**+44(0)1952-916-050**

Mon - Thu 9:00am ~ 5:00pm GMT  
Friday 9:00am ~ 4:00pm GMT  
✉ support@teamson.co.uk

**ASIA**

深圳办公室:

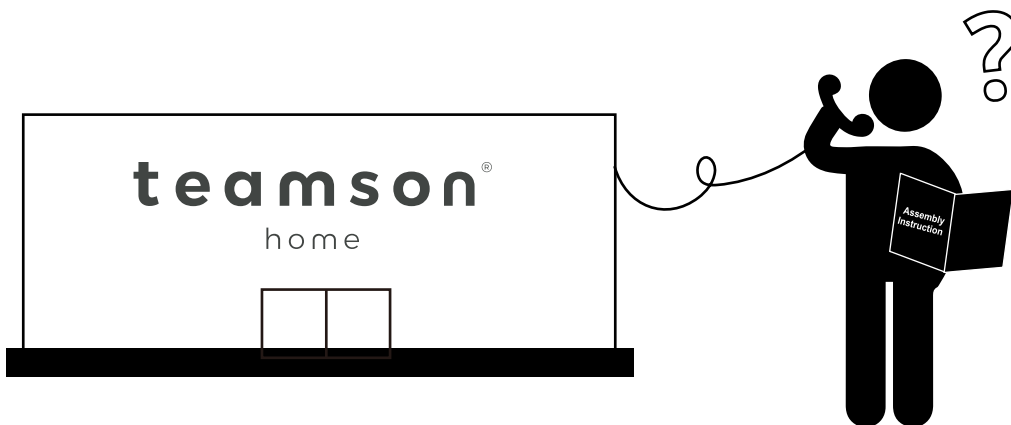
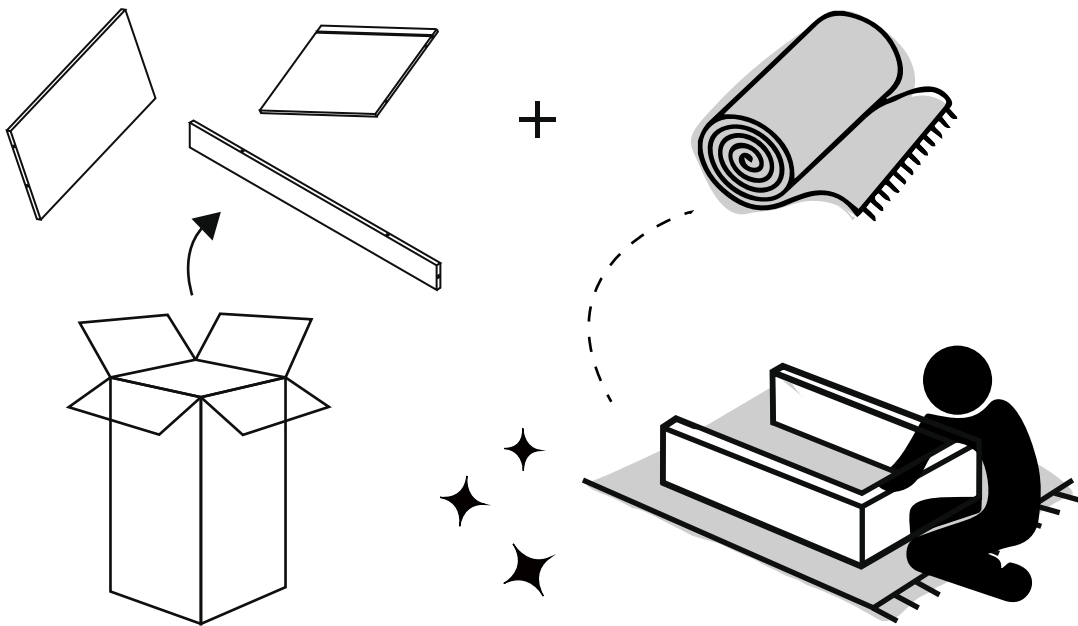
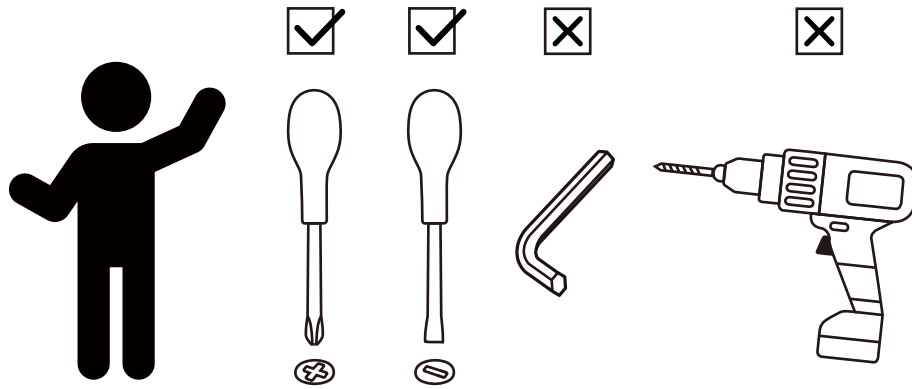
**+86(0755)8885-3558.分机号331**

Mon - Sat 9:00am ~ 5:00pm GMT+8  
✉ sales\_ec@teamson.com

台北办公室:

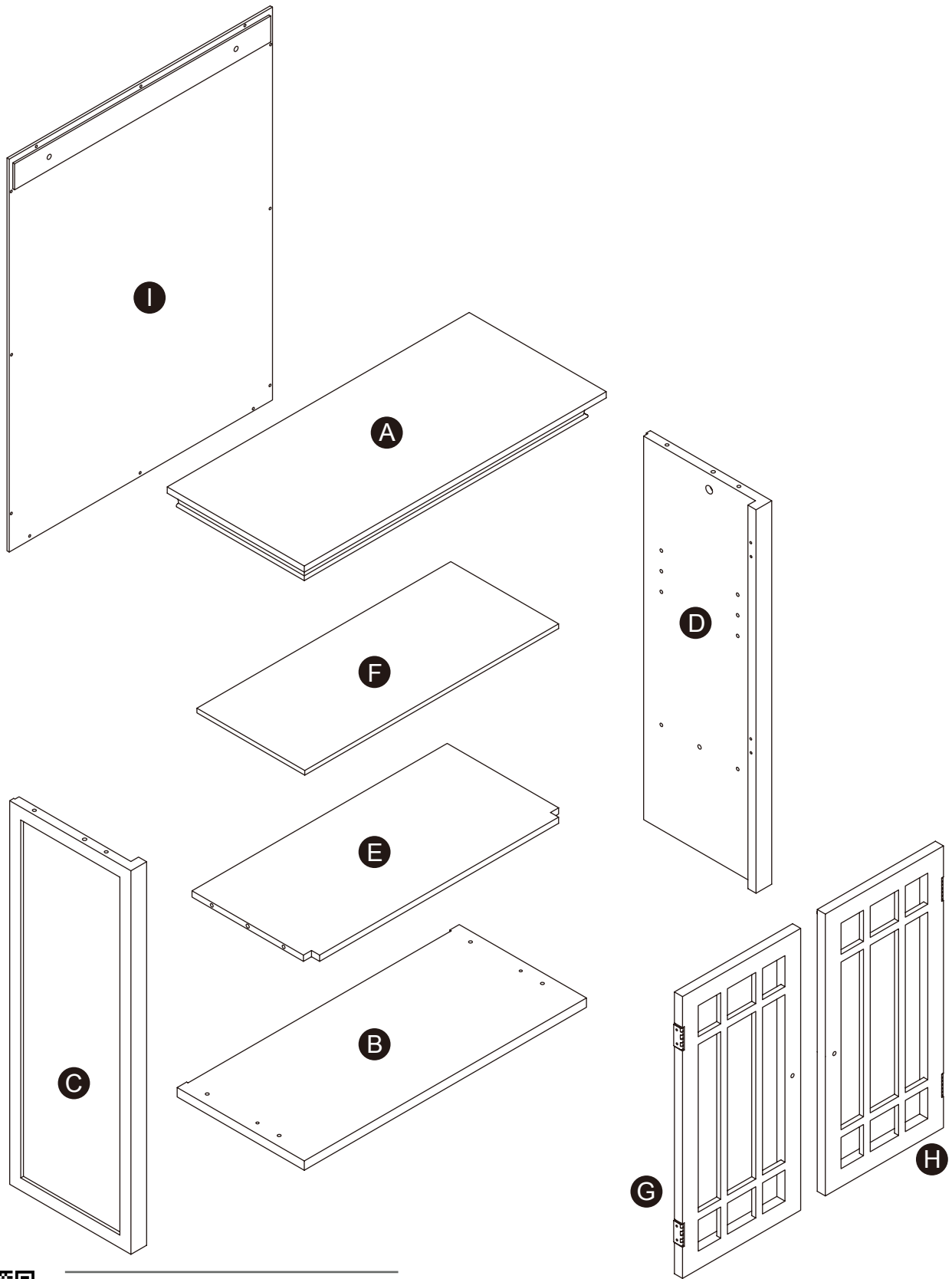
**+886(2)2556-6268**

Mon - Fri 9:00am ~ 5:00pm GMT+8  
✉ sales\_ec@teamson.com



\*\* Got questions? Please have your product code (on the first page of this instruction, e.g. TD-12345A) and the order number ready, give us a call or email us through our customer care support! We are always ready to assist you!

# Exploded Drawing



Scan for assembly instructions.

## Product Parts

A



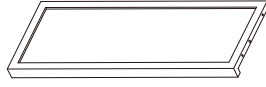
1 PC

B



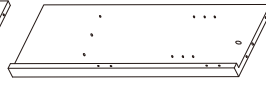
1 PC

C



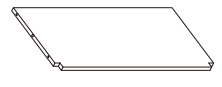
1 PC

D



1 PC

E



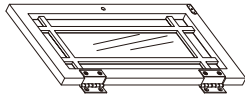
1 PC

F



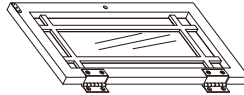
1 PC

G



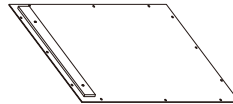
1 PC

H



1 PC

I



1 PC

### **! Care Instructions**

Dust surface with a dry soft cloth. Do not use window cleaners or cleaning abrasives as they will scratch the surface and could damage the protective coating

### **! WARNING**

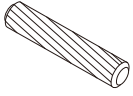
Small parts and sharp edges may be present prior to assembly.



Scan for assembly instructions.

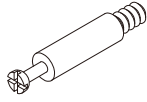
# Hardware

1



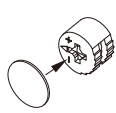
12 PCS

2



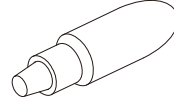
4 PCS

3



4 PCS

4



1 PC

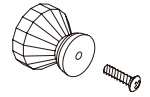
5



Ø3\*15

8 PCS

6



2 sets

7



Ø3\*12 D=7

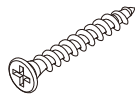
12 PCS

8



4 PCS

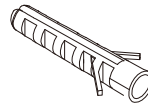
9



Ø4\*50mm

4 PCS

10


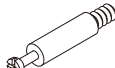



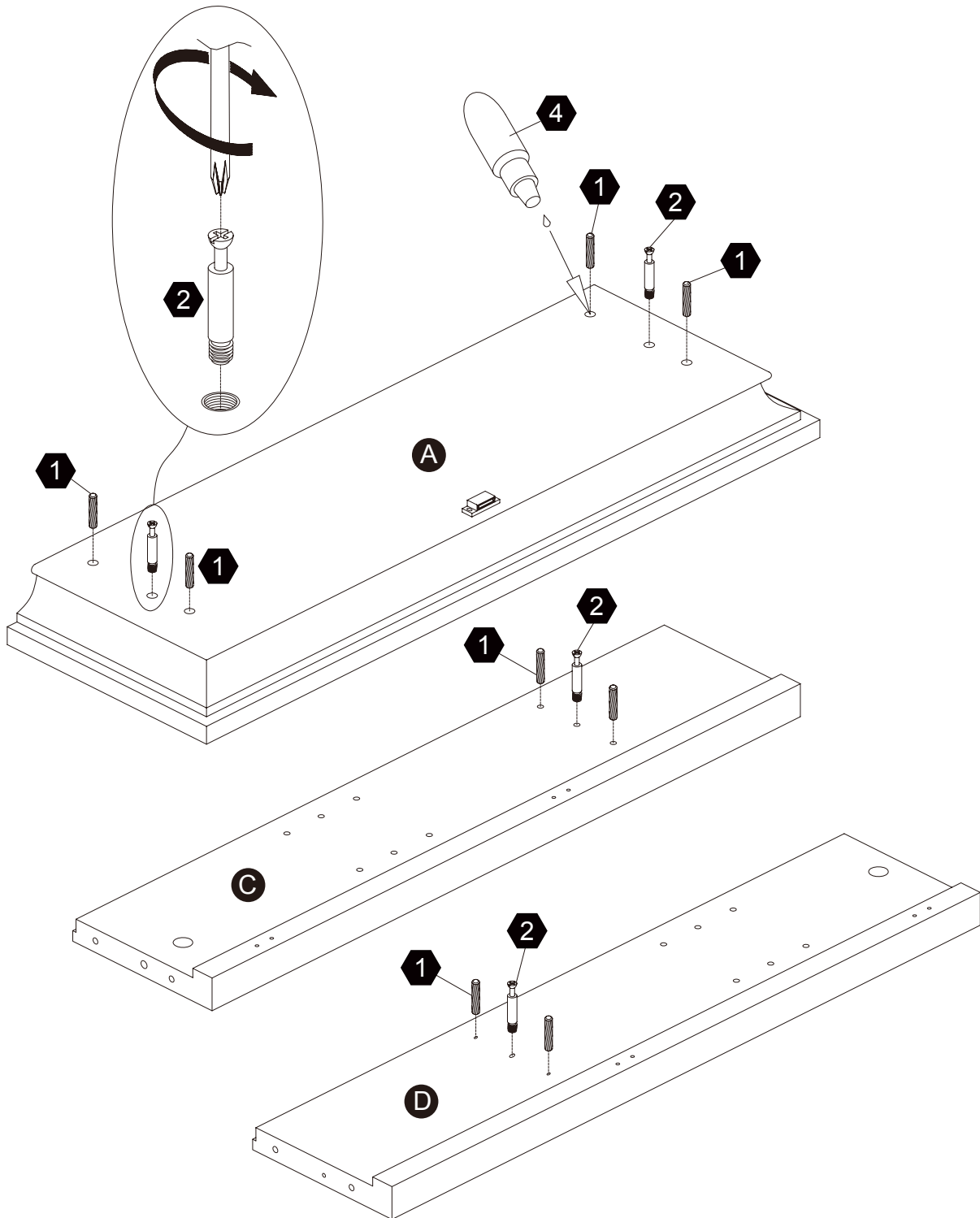
2 PCS



Scan for assembly instructions.

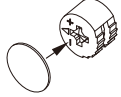
# Step 1

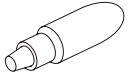
- 1**  8 pcs
- 2**  4 pcs
- 4**  1 pc

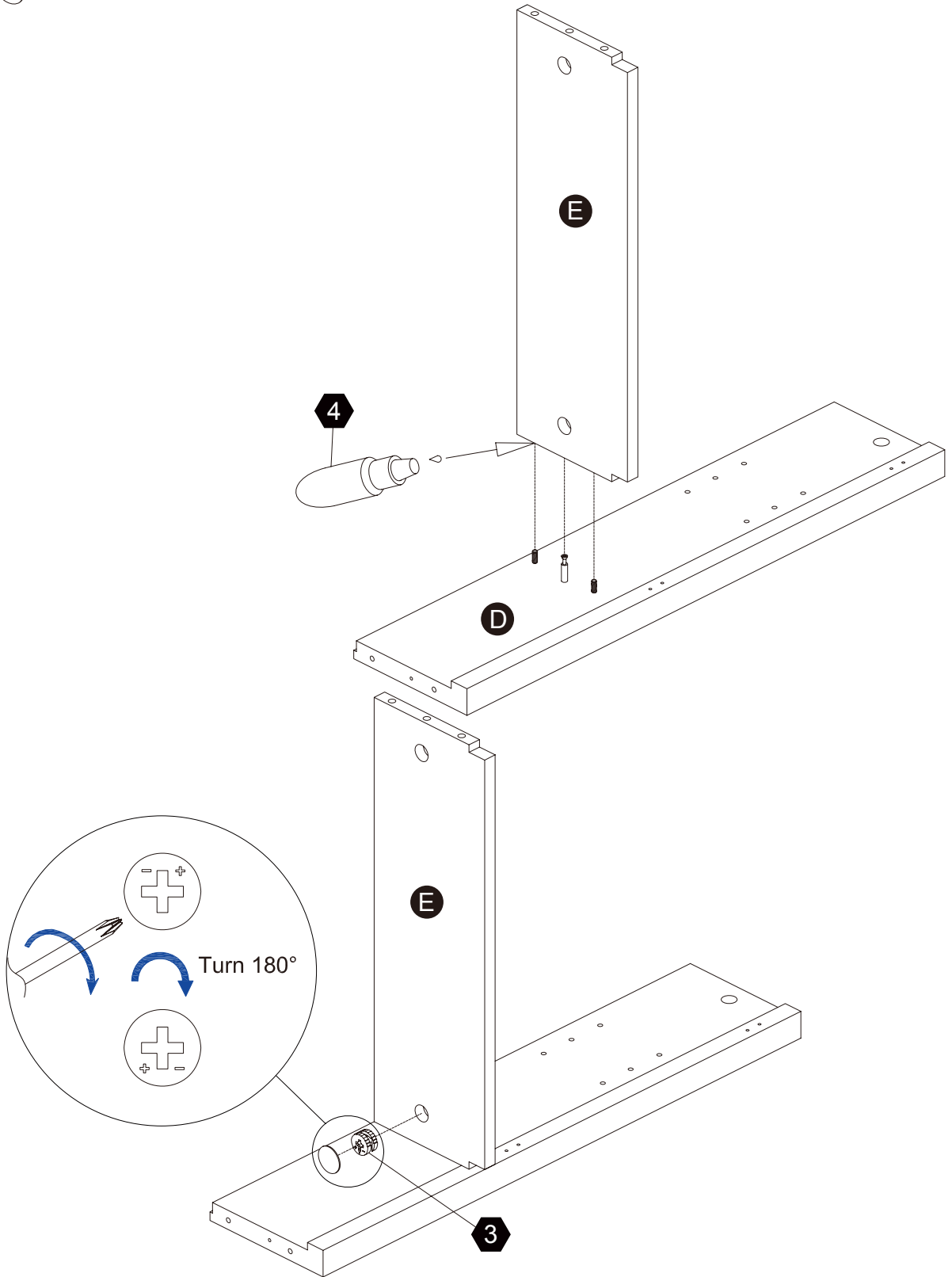


Scan for assembly instructions.

## Step 2

3  1 pc

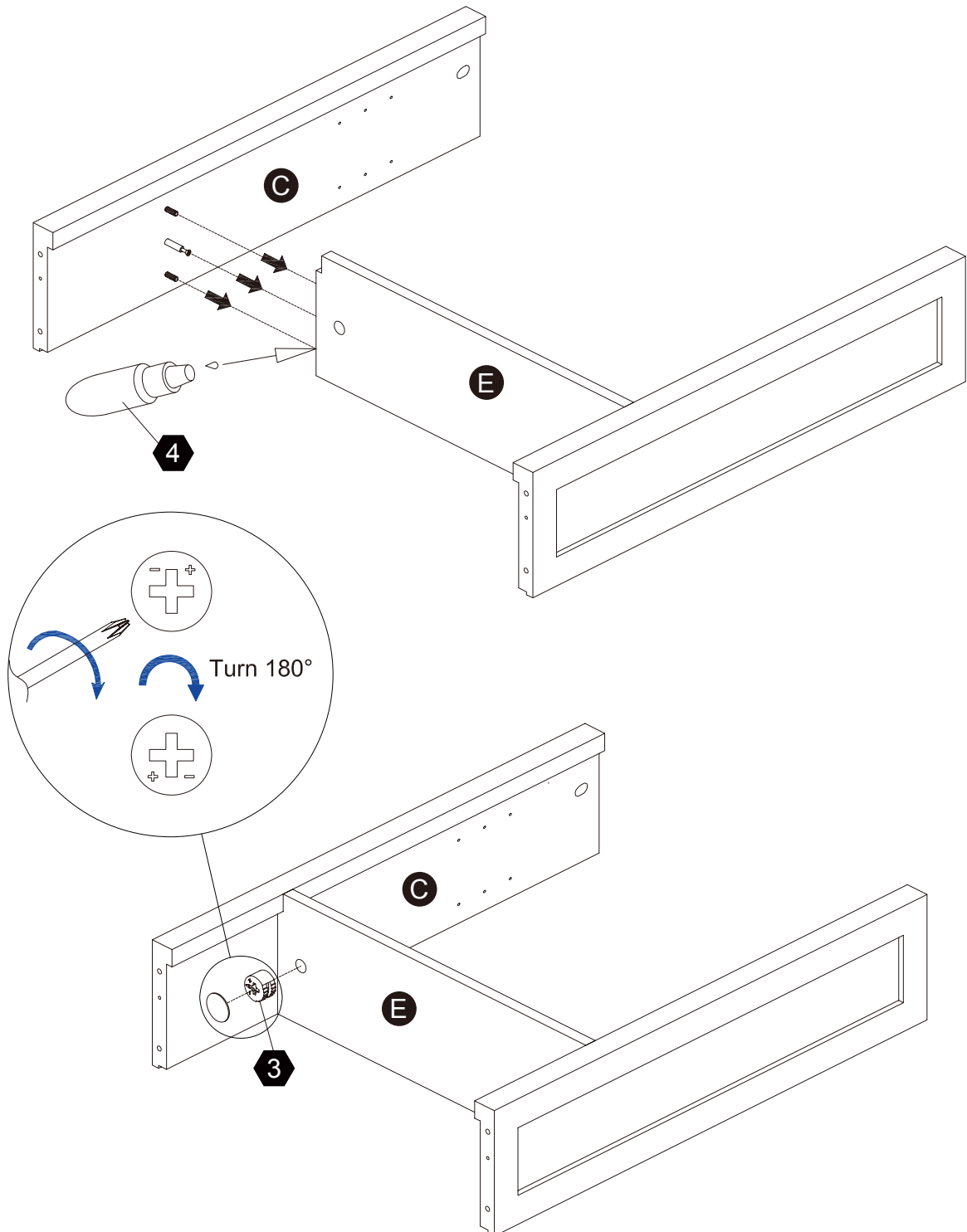
4  1 pc



Scan for assembly instructions.

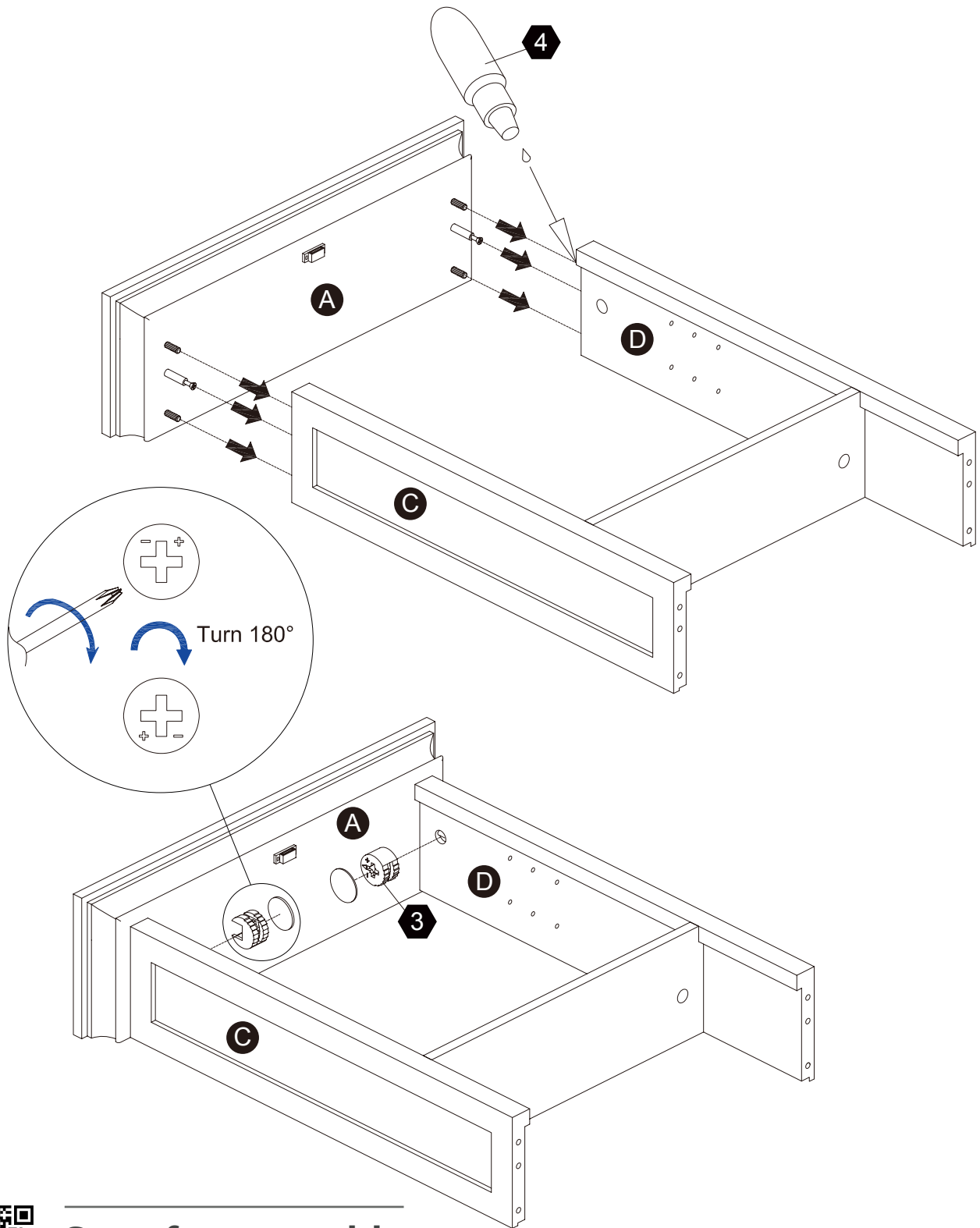


## Step 3



Scan for assembly instructions.

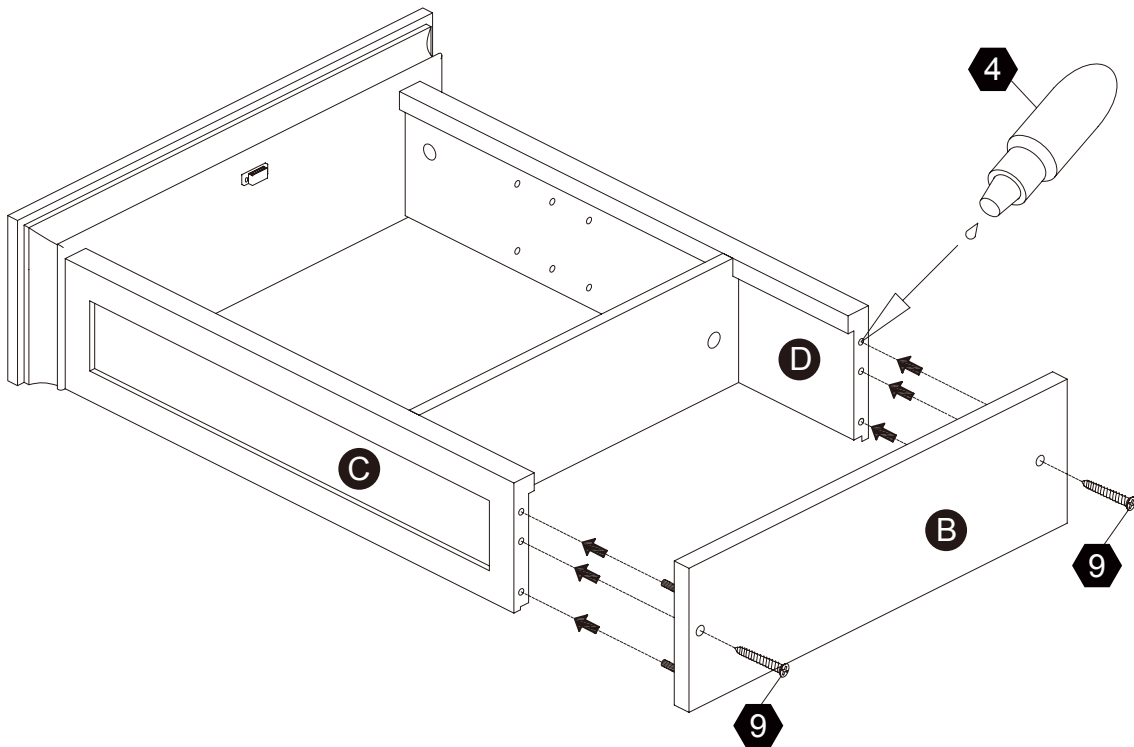
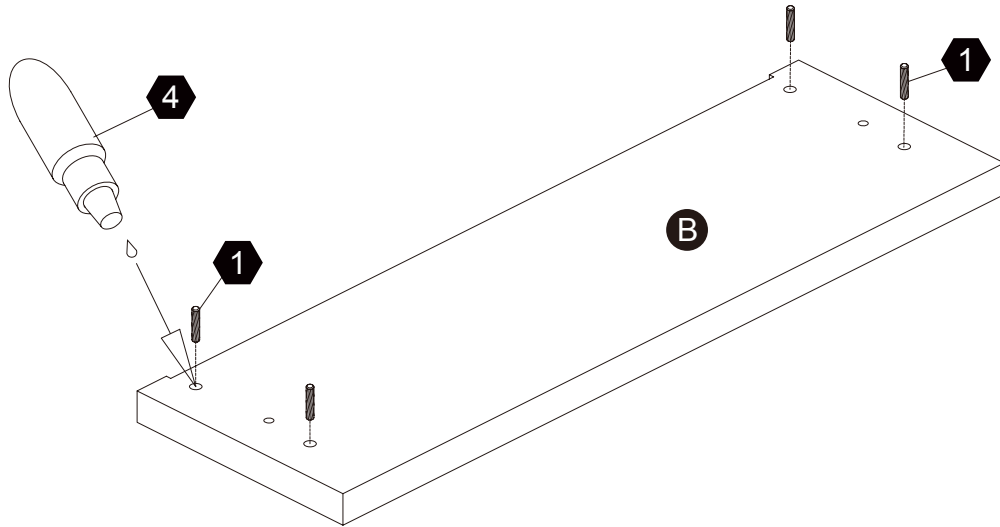
## Step 4



Scan for assembly instructions.

## Step 5

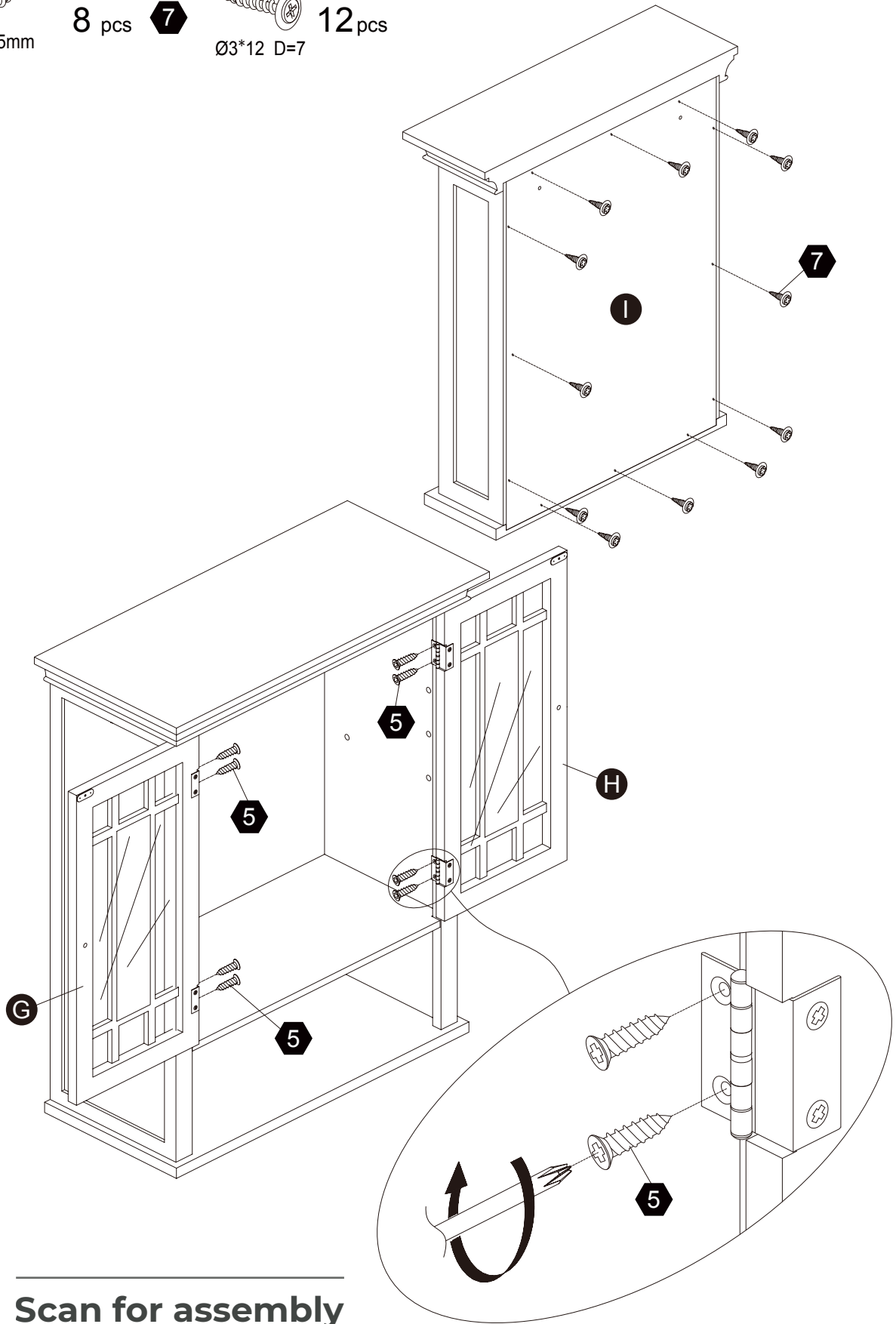
- 1 4 pcs 4 1 pc 9 2 pcs  
Ø4\*50mm



Scan for assembly instructions.

# Step 6

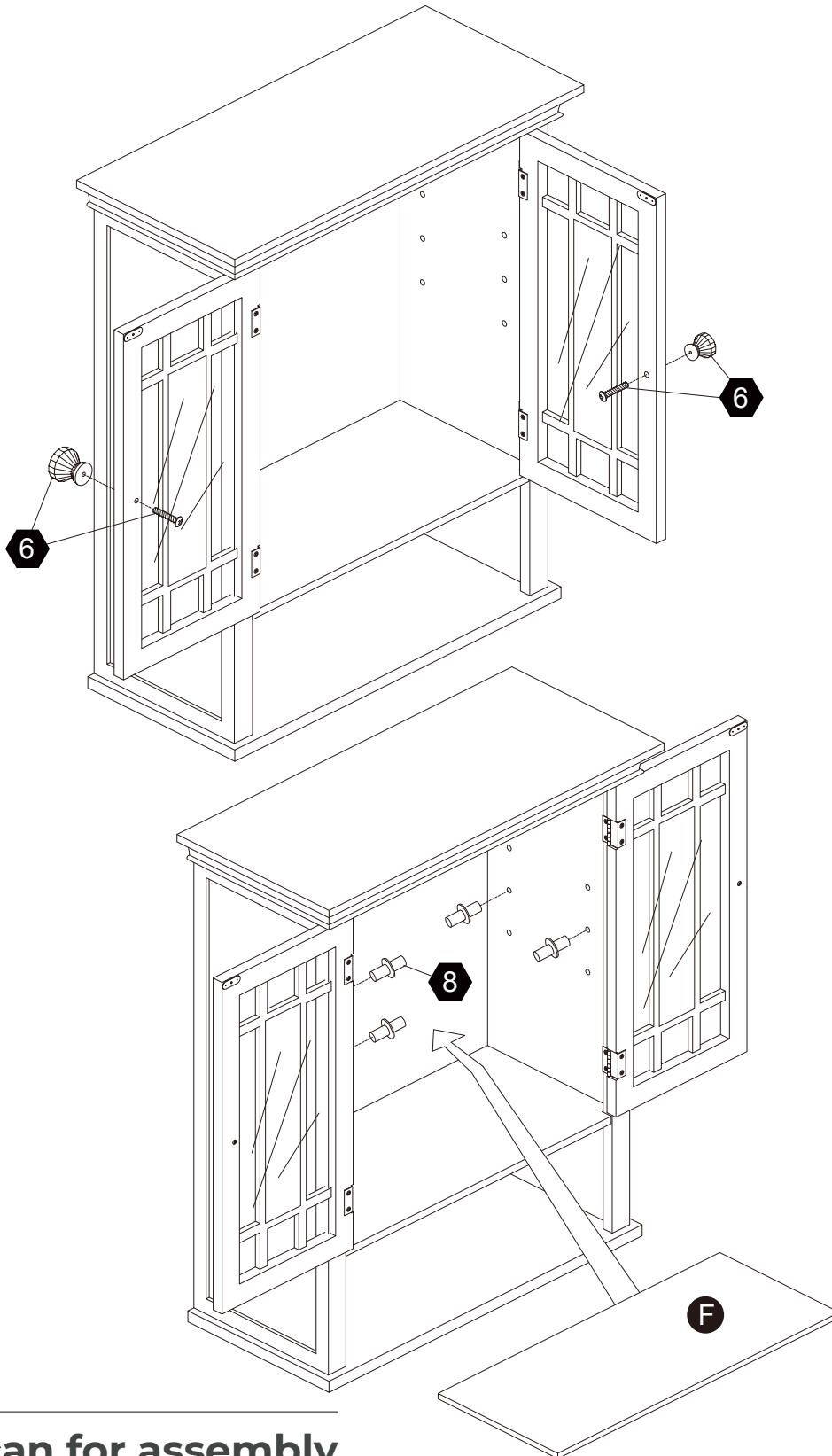
**5**   $\text{\O}3*15\text{mm}$  **8 pcs** **7**   $\text{\O}3*12\text{ D}=7$  **12 pcs**



Scan for assembly instructions.

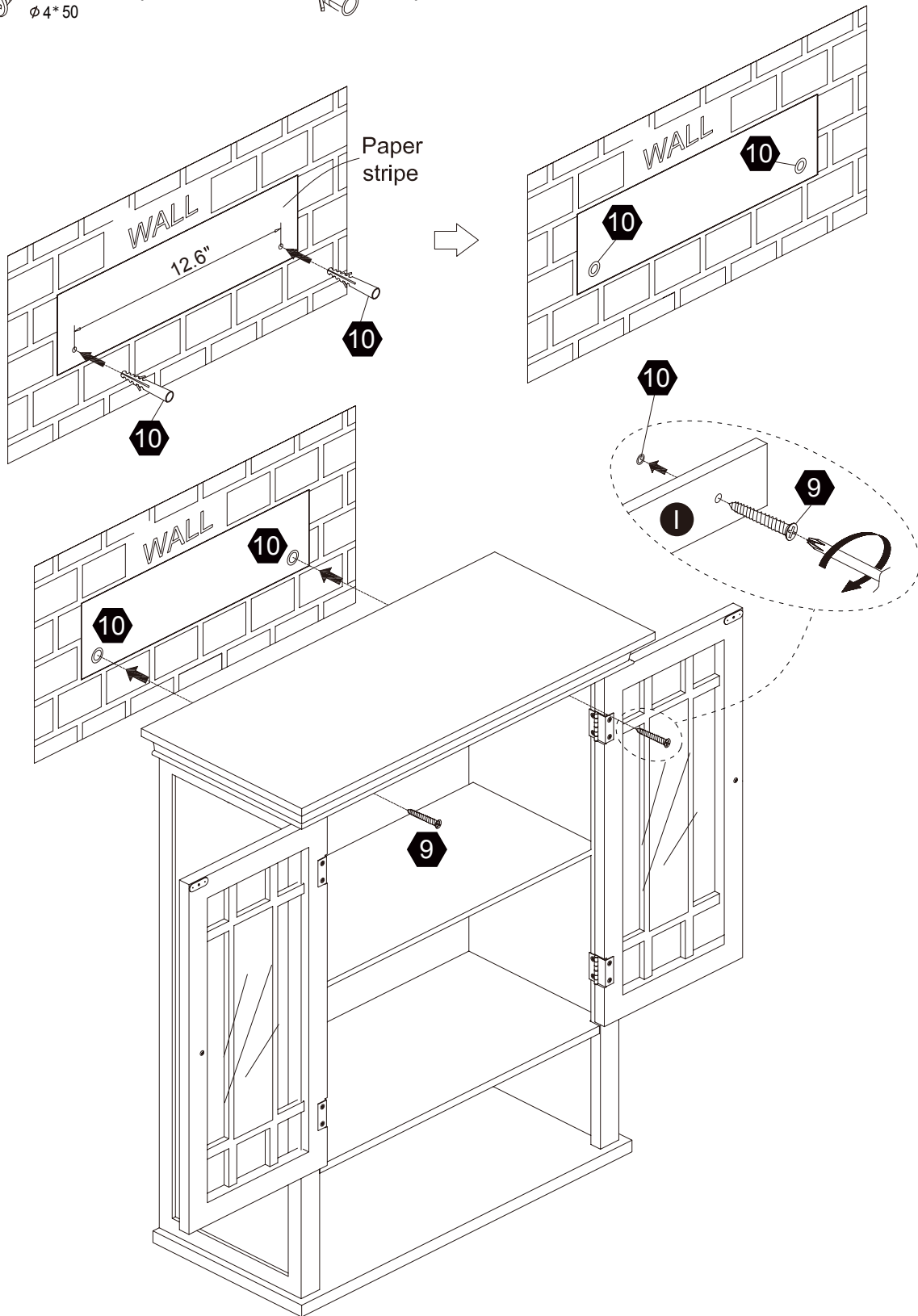
## Step 7

6  2 sets **8**  4 pcs



Scan for assembly instructions.

## Step 8



Scan for assembly instructions.

