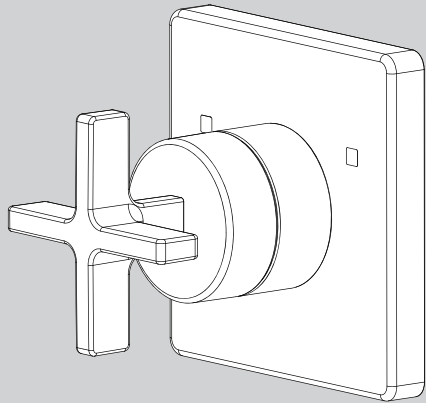


INSTRUCTIONS FOR MODELS

CPT-1121



NEED HELP?

For additional assistance or service please contact:

SPEAKMAN® Company

800-537-2107

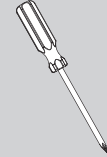
customerservice@speakman.com

www.speakman.com

92-CPT-1121-01

TOOLS AND SUPPLIES

Phillips
Screwdriver



IMPORTANT



- Do not over tighten any connections or damage may occur.
- Be sure to read instructions thoroughly before beginning installation.
- This transfer valve has an operating range of 20-80 psi.

SAFETY TIPS



Cover your drain to prevent loss of parts. Be sure to wear eye protection while cutting pipe.

MAINTENANCE



Your new Speakman Product is designed for years of trouble-free performance. Keep it looking new by cleaning it periodically with a soft cloth. The use of harsh chemicals and abrasives on any of the Speakman custom finish products may damage the finish and void the product warranty. Please be sure to only use approved cleaners. Please contact Speakman for any clarification of acceptable cleaners.

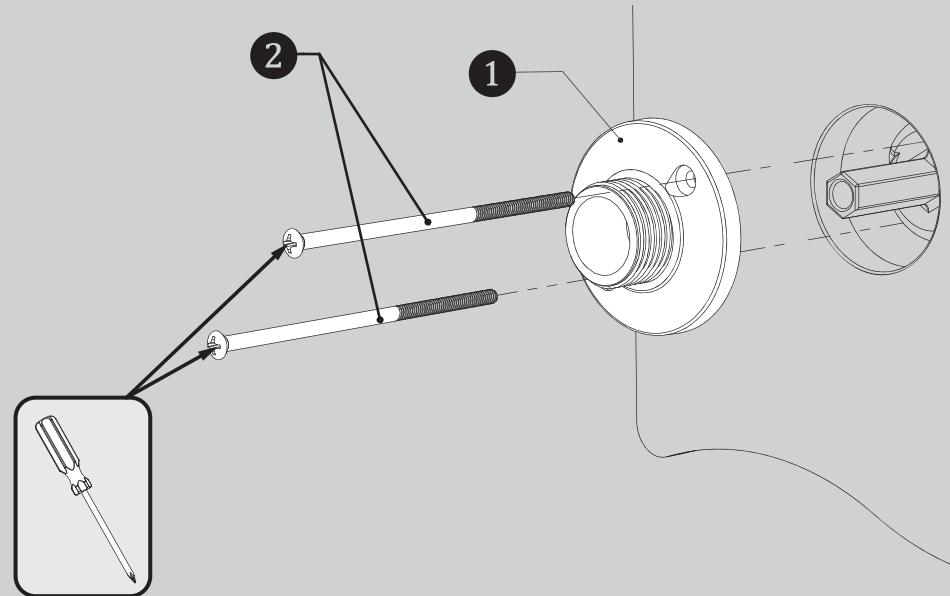
WARRANTY



Warranty information can be found at:
www.speakman.com

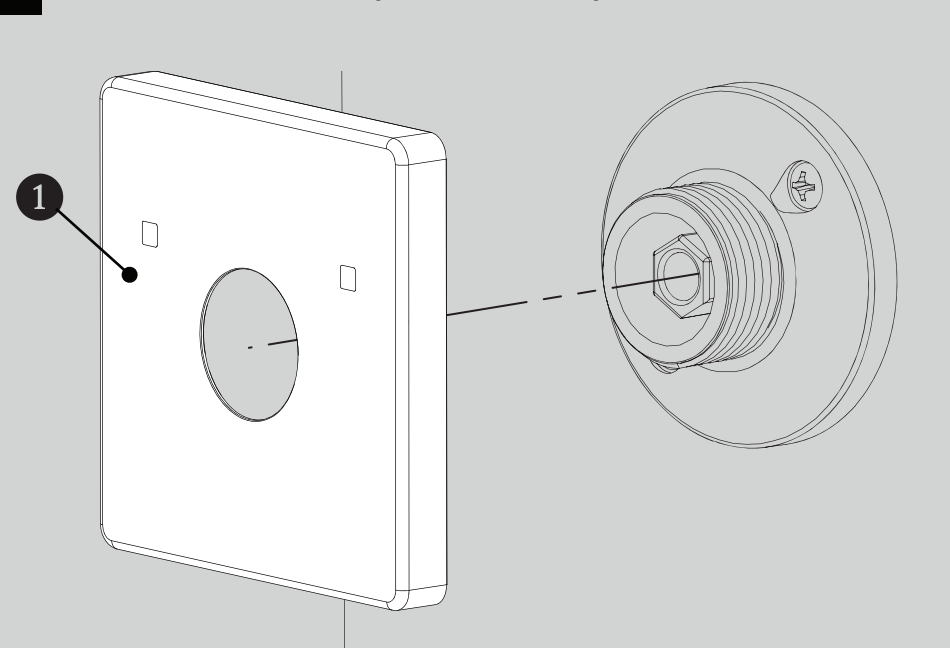
1

Clean wall surface. Place Mounting Base (1), on to valve, align mounting holes, and secure with Mounting Screws (2).



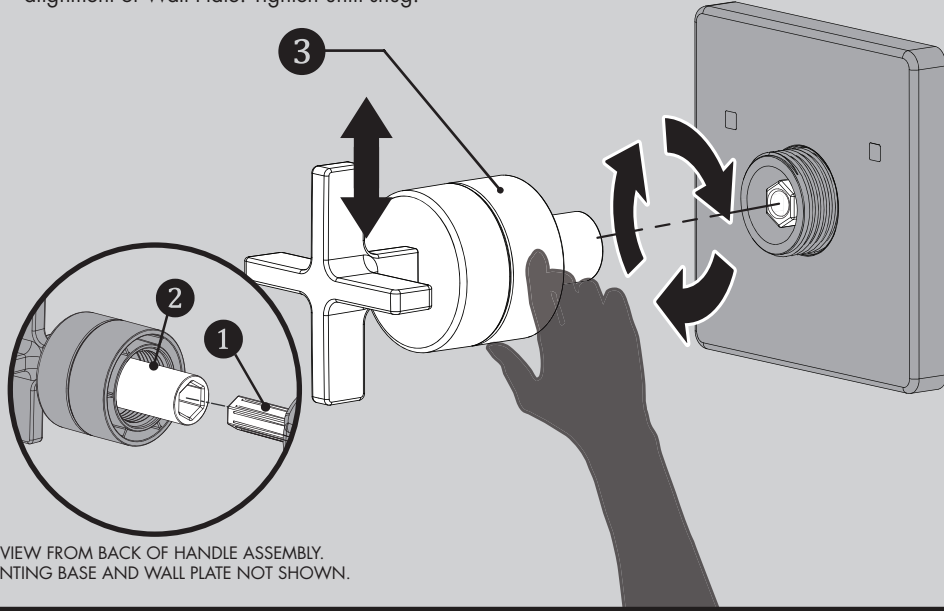
2

Place Wall Plate (1) onto Mounting Base. Take care to align the Escutcheon as shown below.



3

Align the HEX Spindle (1) with the HEX drive (2) of the Handle Assembly. Keep Handle in a stationary vertical position as you thread Handle Hub (3) on to Mounting Base. Verify proper alignment of Wall Plate. Tighten until snug.



* VIEW FROM BACK OF HANDLE ASSEMBLY.
MOUNTING BASE AND WALL PLATE NOT SHOWN.

CPT-1121 ROUGH-IN DIAGRAM

SPEAKMAN®

NOTES:

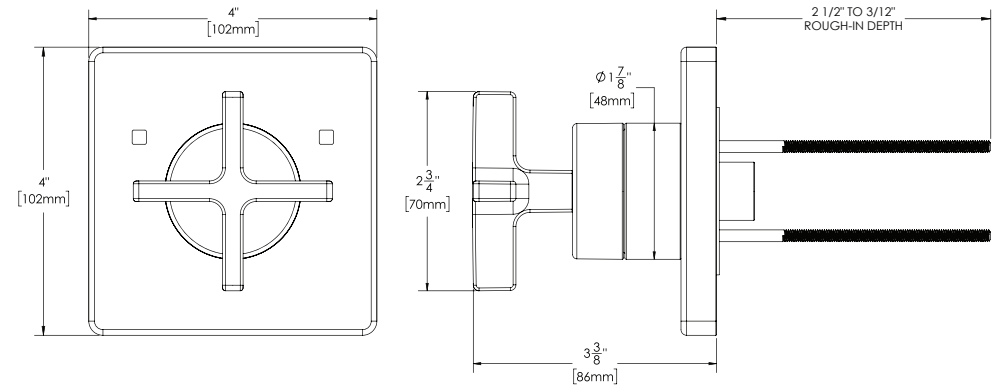
COMPLIANCE:

ASME A112.18.1/CSA B125.1

CONNECTIONS:

- Inlet: 1/2" NPT Female
- Outlets: 1/2" NPT Female

Contractor to supply necessary inlet connections.



DIMENSIONS SUBJECT TO CHANGE WITHOUT NOTICE.