

ELURA

model OUT6.5W/B70
black label series

70/100 V Weather-Resistant
Speaker System

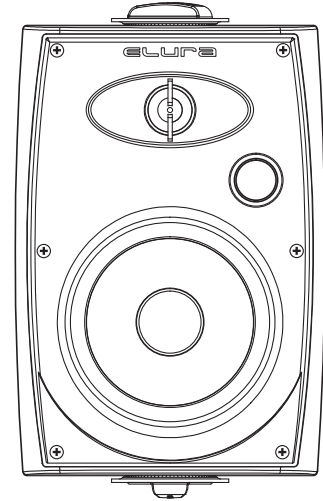
Unpacking

Carefully remove your new Elura speakers from the box. Inspect the speakers for transit damage. If you discover damage, contact your dealer immediately. Save your carton – it is the best possible protection for your speakers should you ever have a need to move them.

Positioning and Mounting Your New Elura Speakers

Note: the distance between yourself and the point directly between the speakers should be (roughly 20%) greater than the distance between the two speakers. Outside placement may be different, due to variances in available mounting areas.

All Elura weather-resistant speakers are equipped with powder-coated ratcheting aluminum mounting brackets that allow for vertical or horizontal mounting. Be certain the type of anchor you choose, and the material you are mounting the anchor into, are capable of holding the weight of the speaker. (Many mounting anchor systems are available from your local hardware store.) After mounting the bracket, connect the wire as shown in Figure 2, and loosely secure the speaker to the bracket using the supplied knobs. Adjust the speaker's angle for optimum listening area coverage and firmly hand-tighten the knobs.

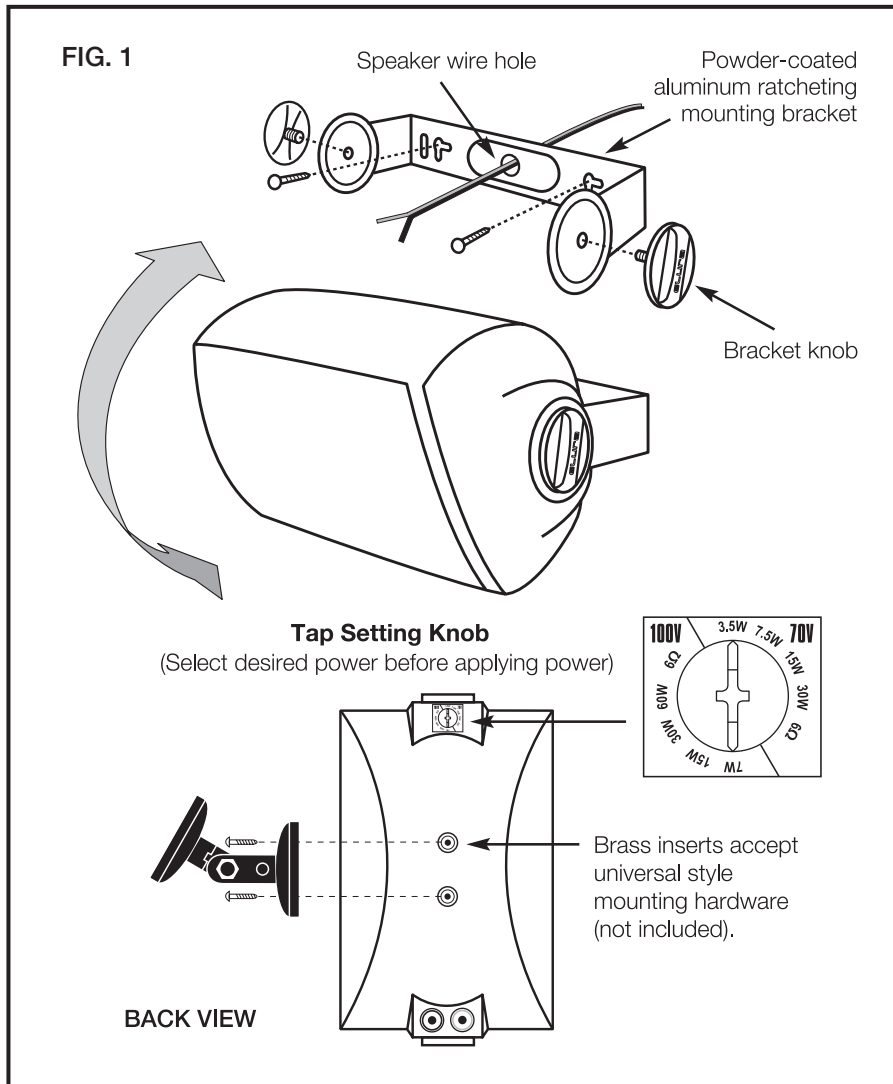


Hooking Up Your New Elura Speakers

STOP! – Make sure that you consult your amplifier's owner's manual regarding speaker hook-up. Your amplifier should be turned off throughout this procedure.

Most speaker wire is polarity coded. This means that each conductor is labeled either (+) positive or (-) negative. The (+) positive side may be a different color or texture than the (-) negative side. On the back of your amplifier, each channel should be labeled (+) and (-) as well as color coded red for (+) positive and black for (-) negative. Elura speaker terminals are color coded red for (+) positive and black for (-) negative. Be sure to hook (+) to (+), (red to red), and (-) to (-), (black to black). (See Figure 2 on back.) All connections should be tight. Inspect connections for frays and stray strands of wire touching both (+) and (-) terminals.

If you are connecting your Elura speakers to a conventional low-impedance amplifier, set the tap setting to 6Ω. If you are connecting the speakers to a 70 or 100 Volt amplifier, set the tap setting to the desired watt level, and avoid overloading the amplifier with too many speakers tapped at more than the amplifier's power rating. (This will cause a short and, perhaps, damage your equipment.)



Caring for Your Speakers

In outdoor applications, we recommend angling the speakers downward as shown in Figure 1 to reduce exposure to precipitation and hot sun. If added protection is desired, mount speakers under eaves or other shelter. **DO NOT** immerse the speakers in water or subject them to direct water pressure. During winter months, we recommend storing the speakers indoors if you are not using them.

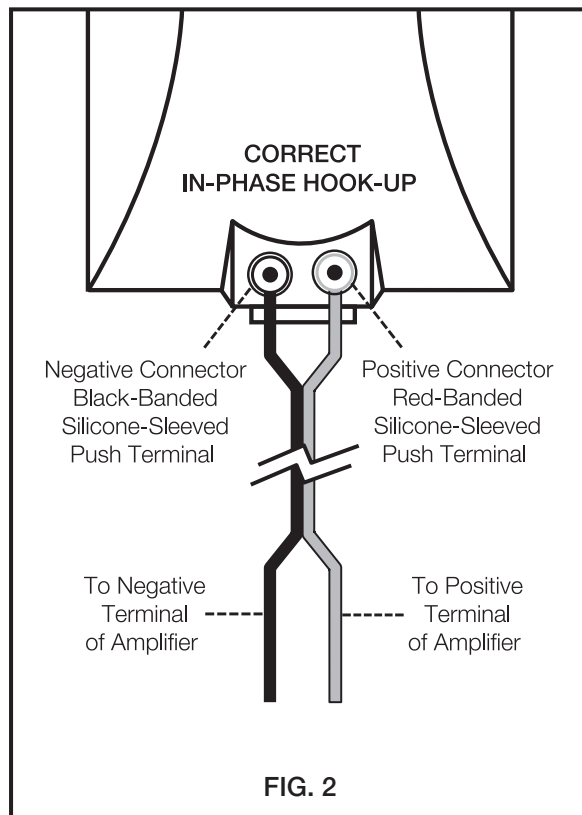
TO CLEAN: All Elura weather-resistant enclosures can be cleaned with a damp soft cloth and a mild detergent. The aluminum grille can also be cleaned with the same cloth.

Troubleshooting and Service

The Elura speaker is equipped with a tweeter protection device. If extreme power levels are reached, it will reduce the amount of power going into the tweeter. If you detect reduced output levels from the speaker while playing at a high volume, it is a warning that too much power is being applied. You must reduce the level by turning down the volume of your receiver to a safe level or permanent speaker damage may result. It is important to remember that no amount of protection will prevent damage caused by defective equipment or extreme abuse.

If you should have a problem, first try to determine if it is indeed a speaker problem. Determine whether the problem exists in both speakers. If it does, the problem most likely originates in some other components in the system. If the problem is in one speaker only, reverse your speaker leads (left to right, right to left). If the problem moves to the other speaker, your problem is not in the speakers.

If you have tried all the above and still can't get the Elura speaker to operate properly, consult your dealer or contact MSTR BRAND.



Warranty

All Elura products come with a limited lifetime warranty. This warranty includes parts and labor repairs on all components found to be defective in material or workmanship under normal conditions of use. This warranty shall not apply to products which have been abused, modified or disassembled.

A speaker that fails under conditions other than those covered will be repaired at the current price of parts and labor in effect at the time of repair. Such repairs are warranted for 90 days from the day of reshipment to the BUYER. If the unit is delivered by mail, customers agree to insure the unit or assume the risk of loss or damage in transit.

Under no circumstances will a unit be accepted without a return authorization number. The warranty is in lieu of all other warranties expressed or implied, including without limitations, any other implied warranty or fitness or merchantability for any particular purpose, all of which are expressly disclaimed. Proof of sale may be required in order to claim warranty.

Specifications

- Design: 6¹/₂" 2-way 70/100 V indoor/outdoor speaker system
- Cabinet: Made of weather-resistant, UV treated, high-impact ABS composite to resist sun-fade and long-term exposure to the elements.
- Tweeter: 1" (25mm) liquid-cooled aluminum dome
- Woofer: 6¹/₂" (165mm) injection-molded metallic anodized cone w/rubber surround
- Freq. Response: 55 Hz-20,000 Hz
- Impedance: 6 ohms nominal
- Power Handling: 5 - 125 Watts
- Tap Settings:
70 V – 3.5W, 7.5W, 15W, 30W, 6 Ω
100 V – 7W, 15W, 30W, 60W, 6 Ω
- Efficiency: 90dB
- Terminals: Silicone-sleeved brass push-terminals
- Grille: Powder coated aluminum
- Mounting Bracket: Ratcheting aluminum
- Dimensions: 12⁷/₈" H x 8" W x 7¹/₄" D
- Weight: 7 lbs. each

www.elura.audio

MSTR