

**AXOR Citterio**  
**HighArc Kitchen Faucet 2-Spray Pull-Down, 1.75 GPM**  
 Finishes : **chrome**    Part no. : **39835001**



## Description

### Features

- Swivel range 360°
- Laminar and needle spray
- Toggle spray diverter
- MagFit magnetic sprayhead docking
- Single-hole installation
- Flow: 1.75 GPM (6.6 L/Min)
- Ceramic cartridge
- 3/8" connections
- Integrated double backflow prevention

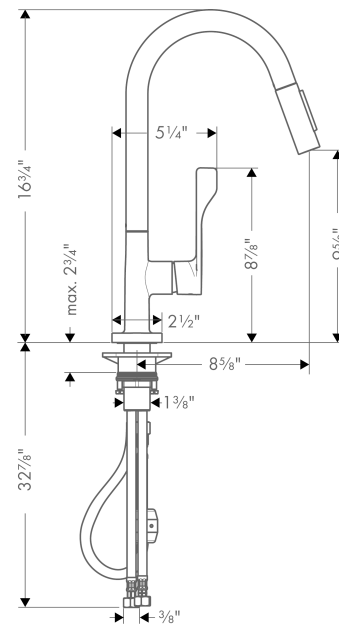
## Technology



## Product image



## Scale drawing

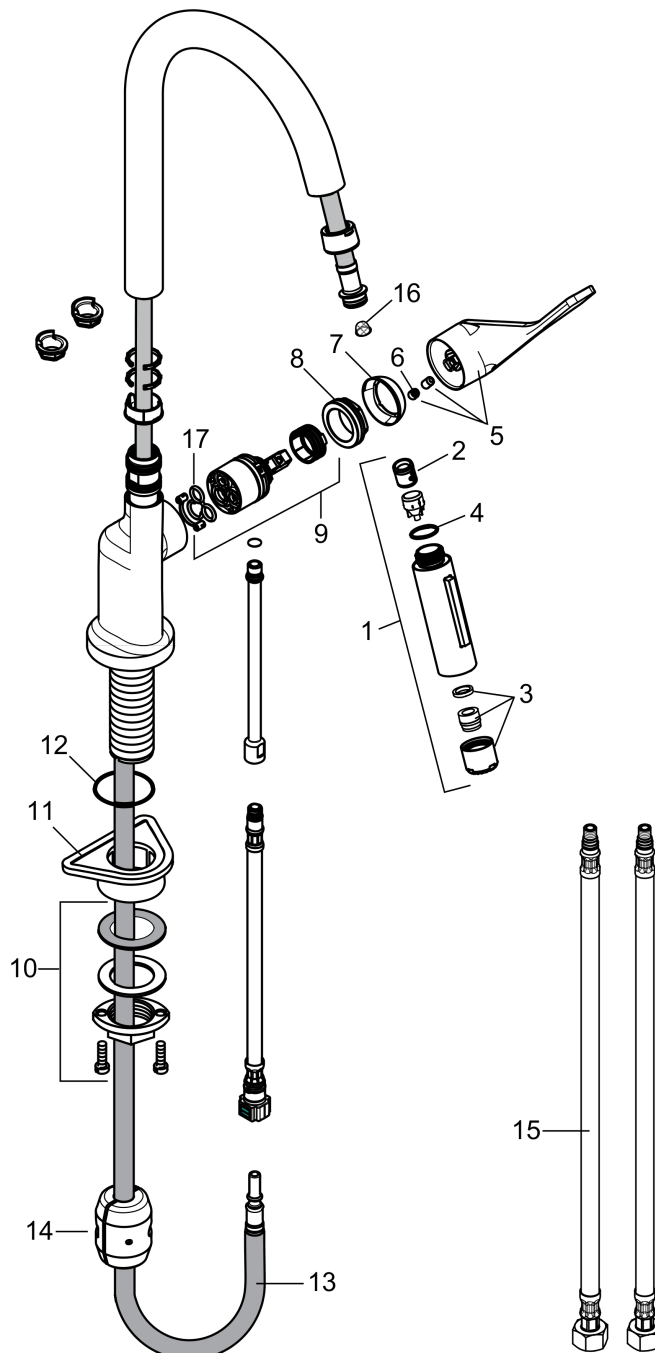


**AXOR Citterio**  
**HighArc Kitchen Faucet 2-Spray Pull-Down, 1.75 GPM**  
Finishes : **chrome**    Part no. : **39835001**



## Exploded drawing

Year of production: >11/15



**AXOR Citterio**  
**HighArc Kitchen Faucet 2-Spray Pull-Down, 1.75 GPM**  
 Finishes : **chrome**    Part no. : **39835001**



## Spare parts list

Year of production: >11/15

Pos.	Description	Part no.	PC	PU
1	handspray	95908000	0	1
2	non return valve	93218000	0	1
3	aerator laminar M22x1 (15 l/min)	95909000	0	1
4	O-ring 18x1,5	98231000	0	1
5	handle	39891000	0	1
6	screw cover	96762000	0	1
7	flange	98603000	0	1
8	nut	97209000	0	1
9	cartridge, assy	92730000	0	1
10	fixing set (Ø 34)	95049000	0	1
11	support	97523000	0	1
12	O-ring 40x3	92634000	0	1
13	hose 1,50 m	88624000	0	1
14	weight	92500000	0	1
15	connection hose 35½" M8x0,75 3/8"	96316001	0	1
16	filter	97735000	0	1
17	seal	95008000	0	1
a	non return valve	96737000	0	1
b	set of non return valves DW 15	97350000	0	1
c	set of lever collars	98365000	0	1
d	Grease	90920000	0	1