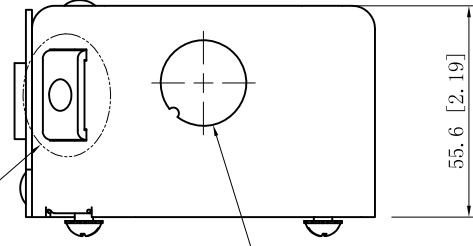
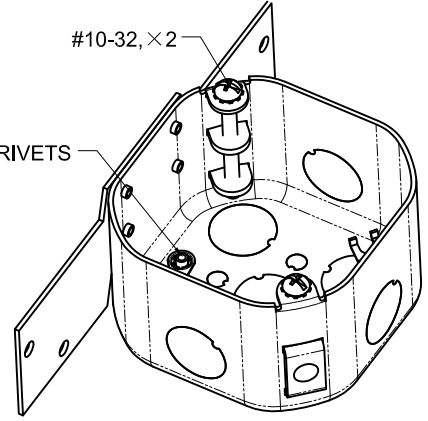


SIDES	BOTTOM
3 1/2" KNOCKOUTS	5 1/2" KNOCKOUTS
2 PCS 10-32×1-3/8 Screws Installed	
Material:Steel-0.0625"-G60 Galvanized, Powder coated cat-silver	

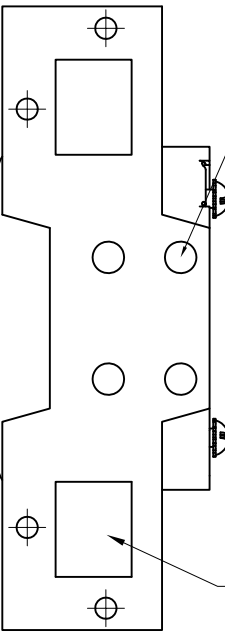
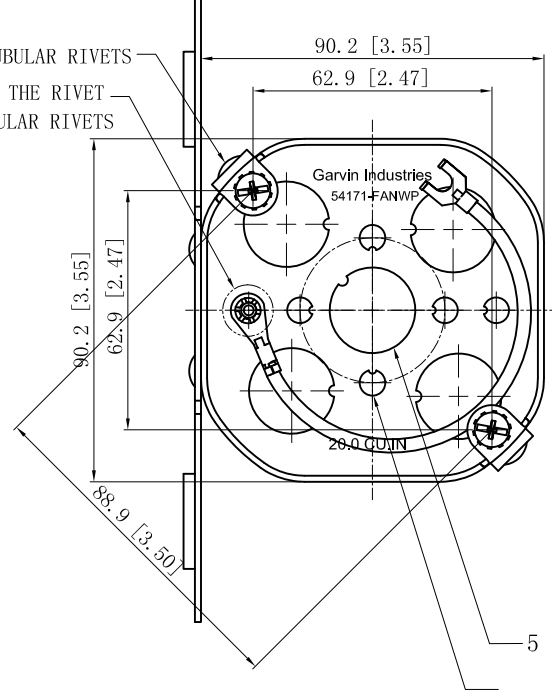
SILICON 4 SIDES AROUND CLIP AND ON THE RIVET (TWO CLIPS)



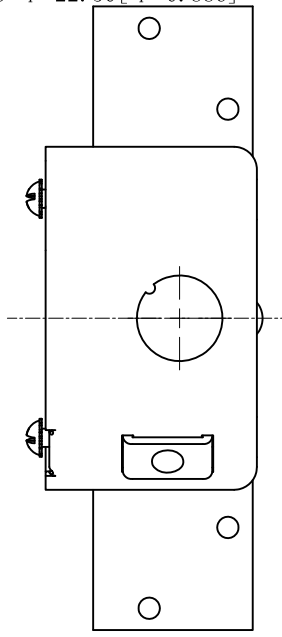
OVAL HEAD SEMI-TUBULAR RIVETS



2-OVAL HEAD SEMI-TUBULAR RIVETS
SILICON ON THE RIVET
4-OVAL HEAD SEMI-TUBULAR RIVETS



CUTAWAY VIEW A-A



This data sheet is for reference only. GARVIN INDUSTRIES reserves the right to make changes to the design without prior notice.

DESCRIPTION
TRADE REFERENCE TERMS

STANDARD PACKING
25 PCS

GARVIN INDUSTRIES		
TITLE 4" OCTAGON & ROUND CEILING FAN BOXES		
SIZE A4	DWG NO. 54171-FANWP	REV A
DATA SHEET		