



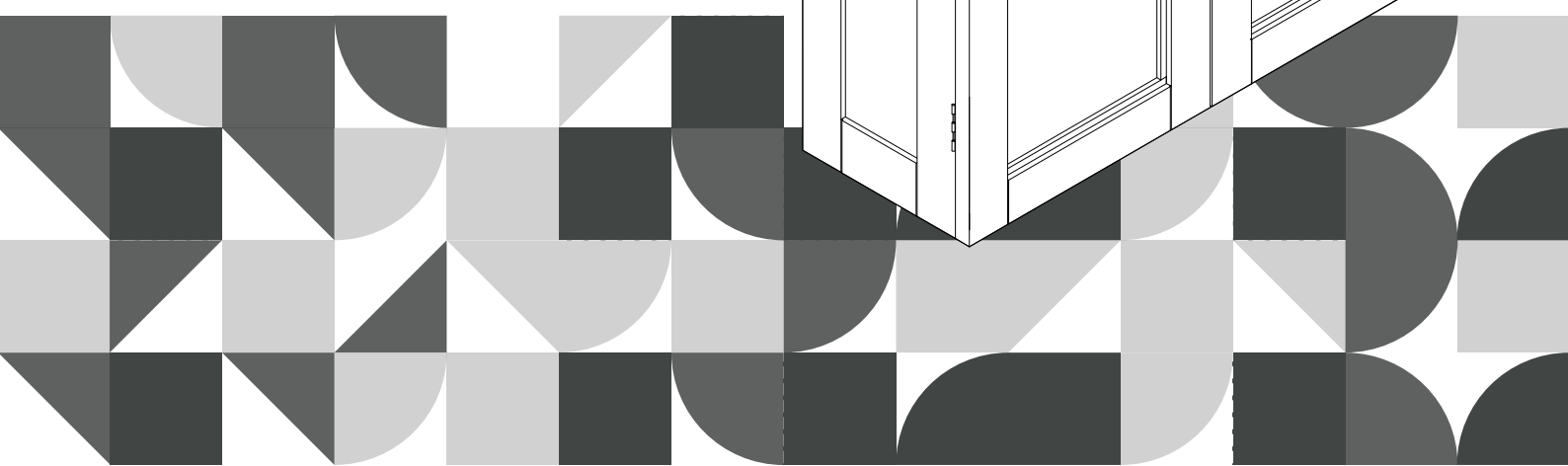
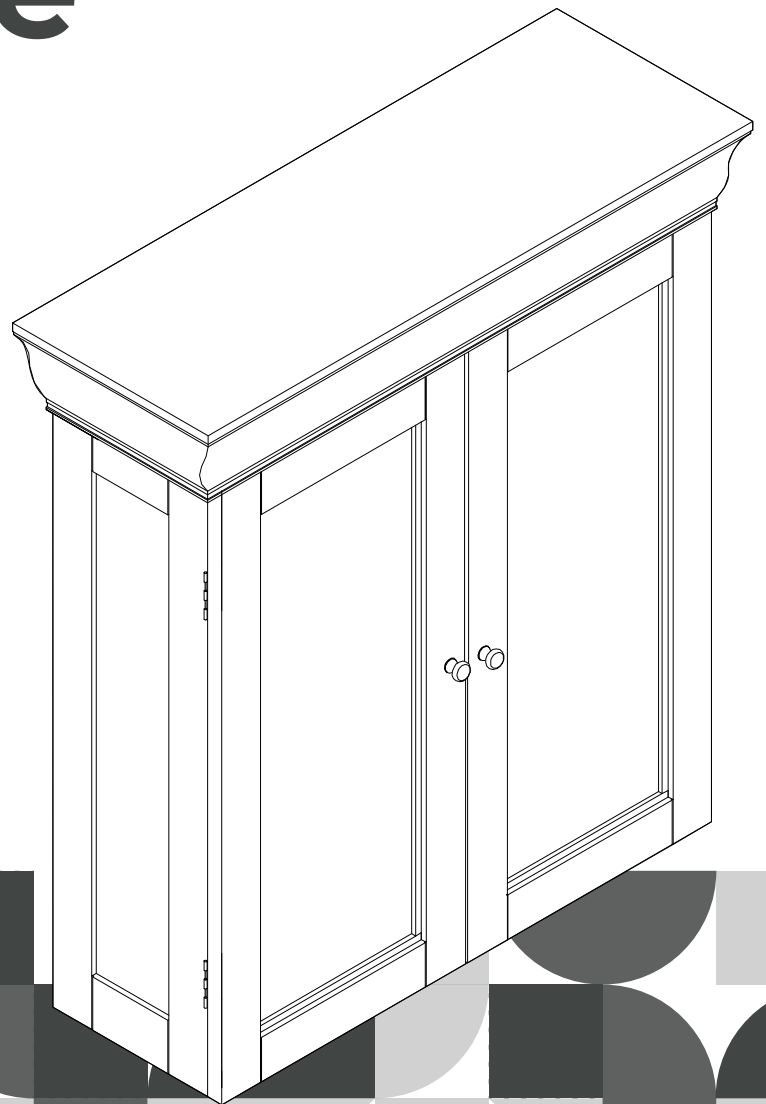
Extended Warranty  
Sign Up

E-1

# Welcome home!

**ELG-674**

**TEAMSON HOME  
Broadway Two Door  
Wall Cabinet with  
Two Contemporary  
Style Doors**





**Questions? Comments? Need help?  
Call or email us any time!**

## Global Customer Service

**USA**

**+1(800)935-3959**

Mon - Fri 10:00am ~ 2:00pm EST  
✉ support@teamson.com

**EU/UK**

**+44(0)1952-916-050**

Mon - Thu 9:00am ~ 5:00pm GMT  
Friday 9:00am ~ 4:00pm GMT  
✉ support@teamson.co.uk

**ASIA**

深圳办公室:

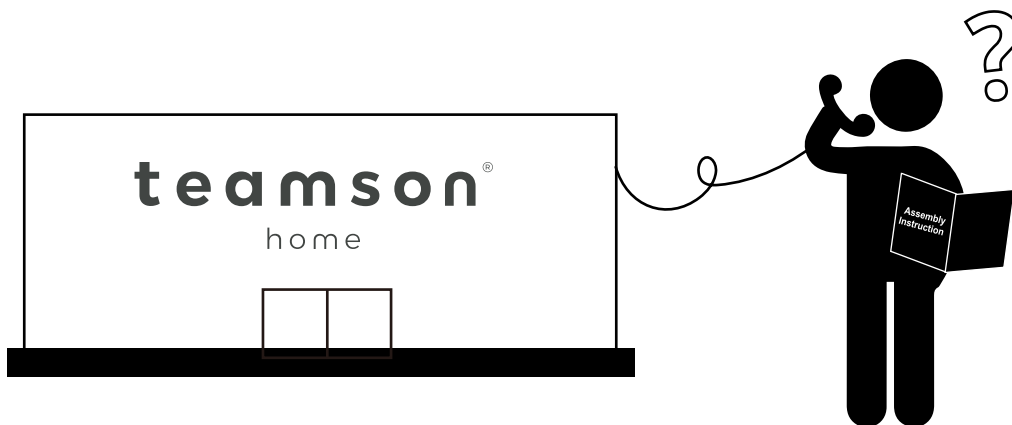
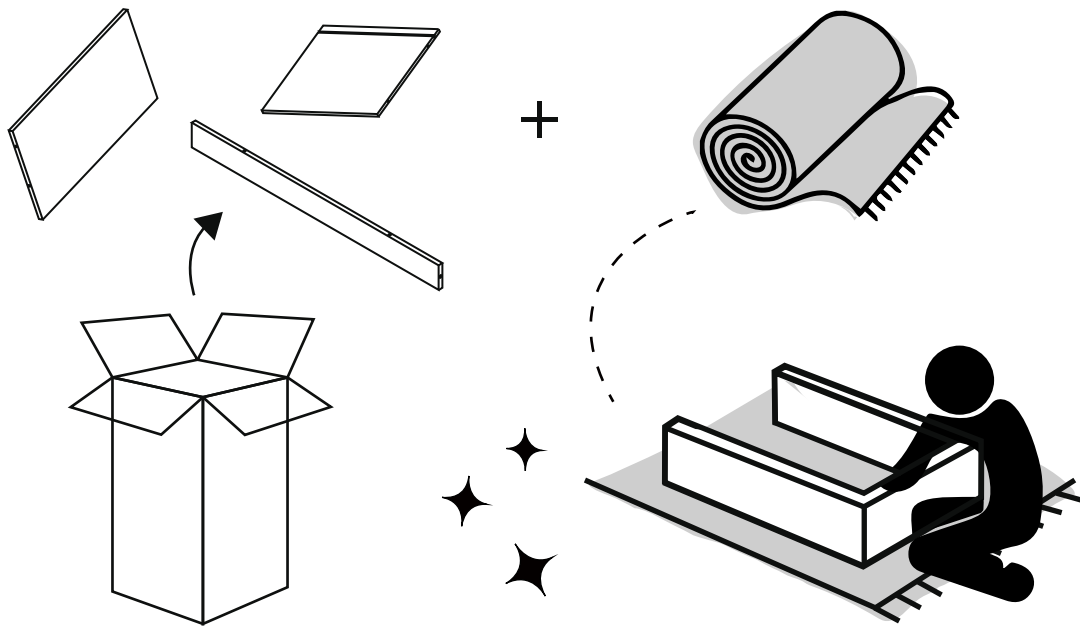
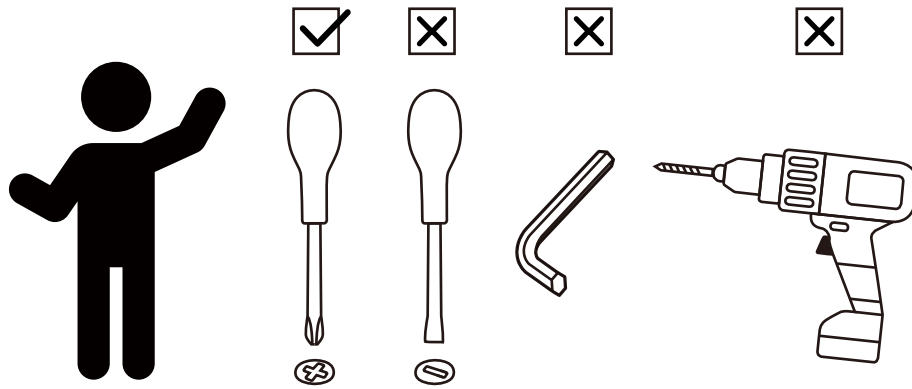
**+86(0755)8885-3558.分机号331**

Mon - Sat 9:00am ~ 5:00pm GMT+8  
✉ sales\_ec@teamson.com

台北办公室:

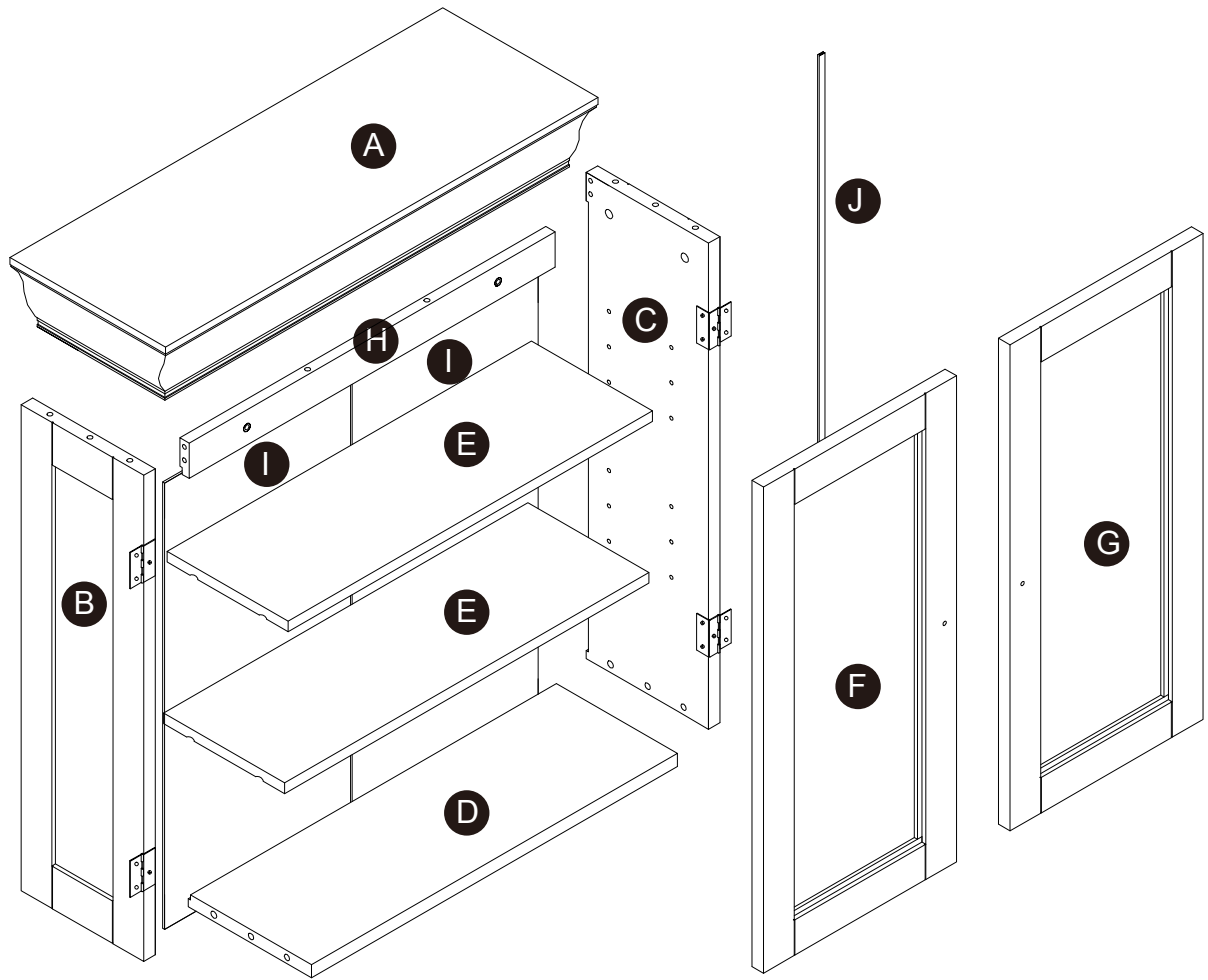
**+886(2)2556-6268**

Mon - Fri 9:00am ~ 5:00pm GMT+8  
✉ sales\_ec@teamson.com



\*\* Got questions? Please have your product code (on the first page of this instruction, e.g. TD-12345A) and the order number ready, give us a call or email us through our customer care support! We are always ready to assist you!

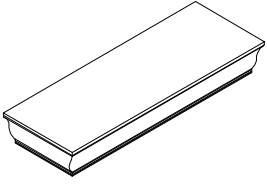
# Exploded Drawing



Scan for assembly instructions.

## Product Parts

A



1 PC

B



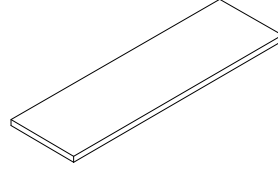
1 PC

C



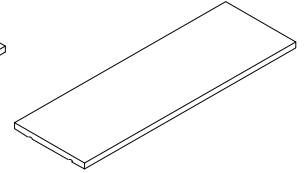
1 PC

D



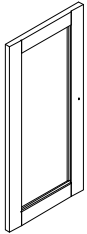
1 PC

E



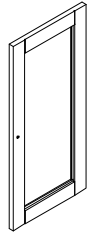
2 PCS

F



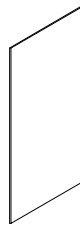
1 PC

G



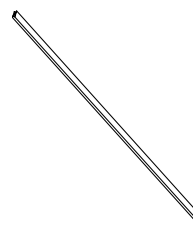
1 PC

H



2 PCS

I



1 PC

### **!** Care Instructions

Dust surface with a dry soft cloth. Do not use window cleaners or cleaning abrasives as they will scratch the surface and could damage the protective coating

### **!** WARNING

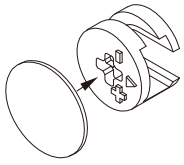
Small parts and sharp edges may be present prior to assembly.



Scan for assembly instructions.

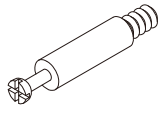
# Hardware

1



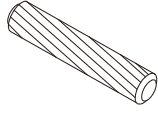
8 PCS

2



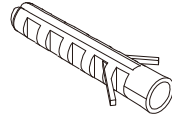
8 PCS

3



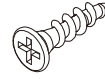
10 PCS

4



2 PCS

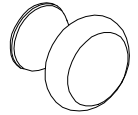
5



Ø3\*12mm

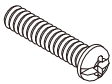
8 PCS

6



2 PCS

7



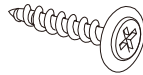
2 PCS

8



8 PCS

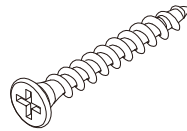
9



Ø3\*12 D=7

14 PCS

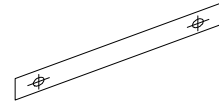
10



Ø4\*35mm

2 PCS

TEMPLATE PAPER

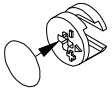
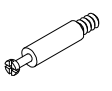
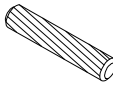


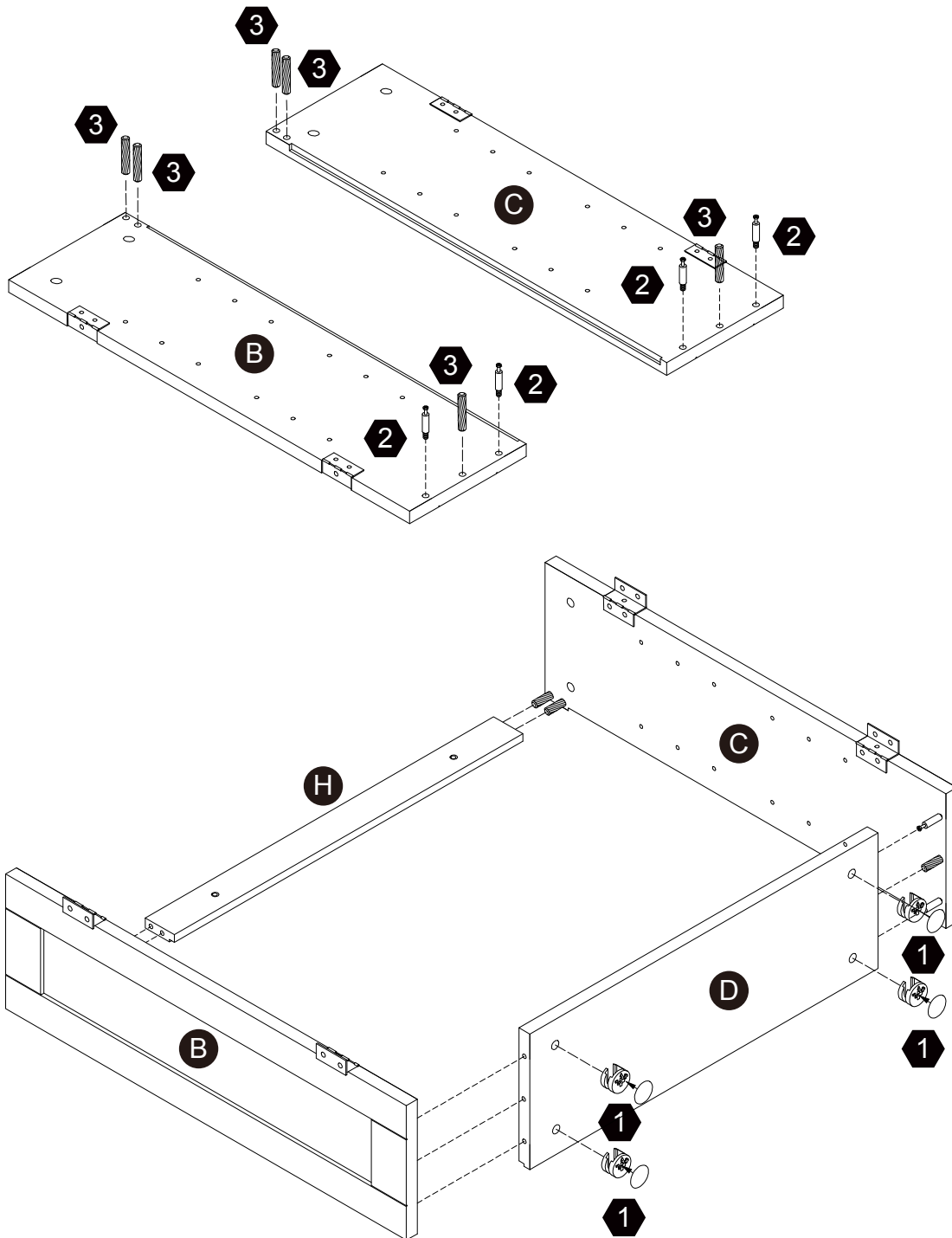
1 PC



Scan for assembly instructions.

# Step 1

- 1  4 sets    2  4 pcs    3  6 pcs




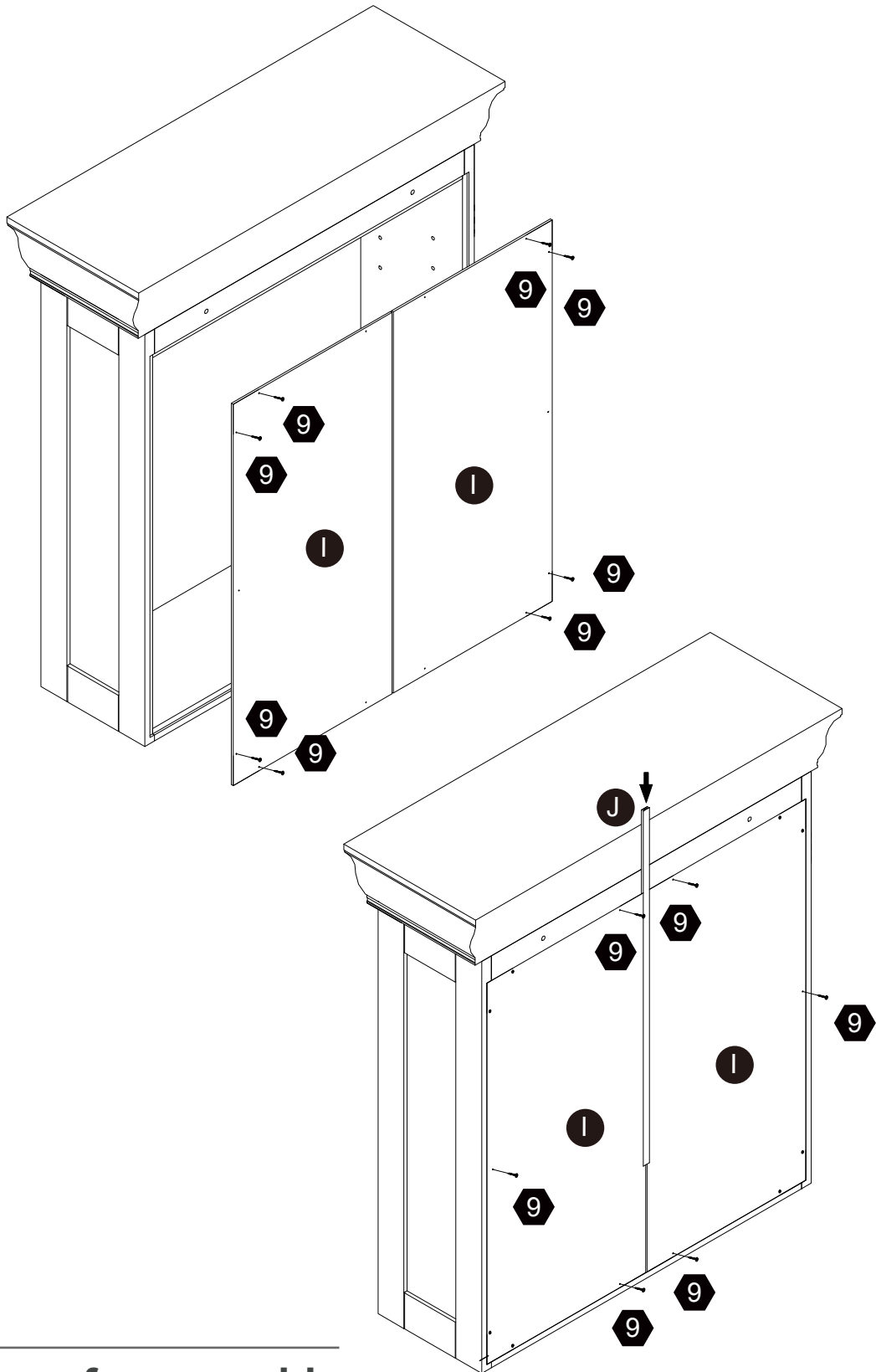
Scan for assembly instructions.





## Step 3

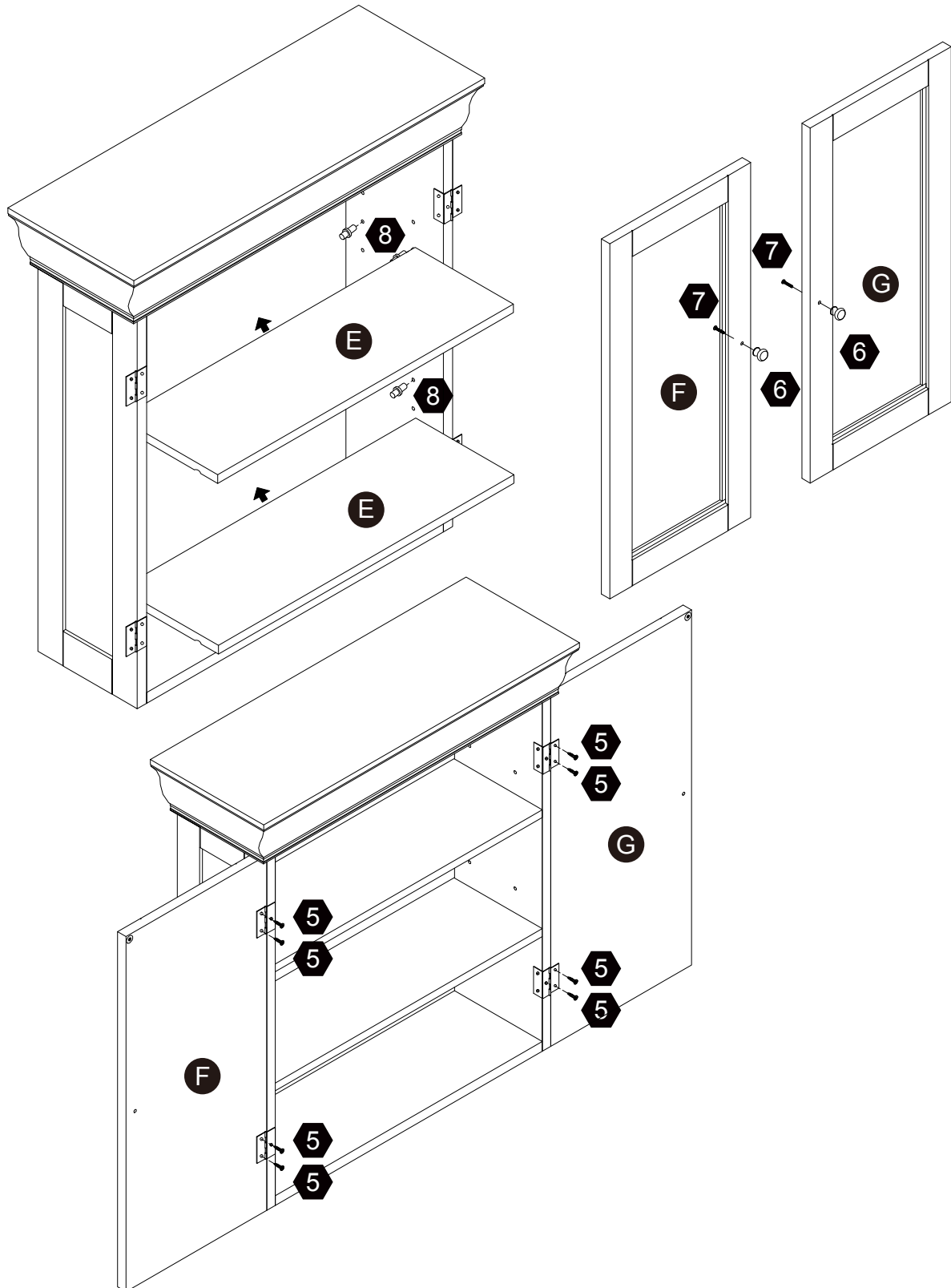
**3**  **4 pcs**  
Ø3\*12 D=7



Scan for assembly instructions.

## Step 4

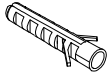
- 5  Ø3\*12mm 8 pcs 6  2 pcs 7  2 pcs 8  8 pcs



Scan for assembly instructions.

## Step 5

4



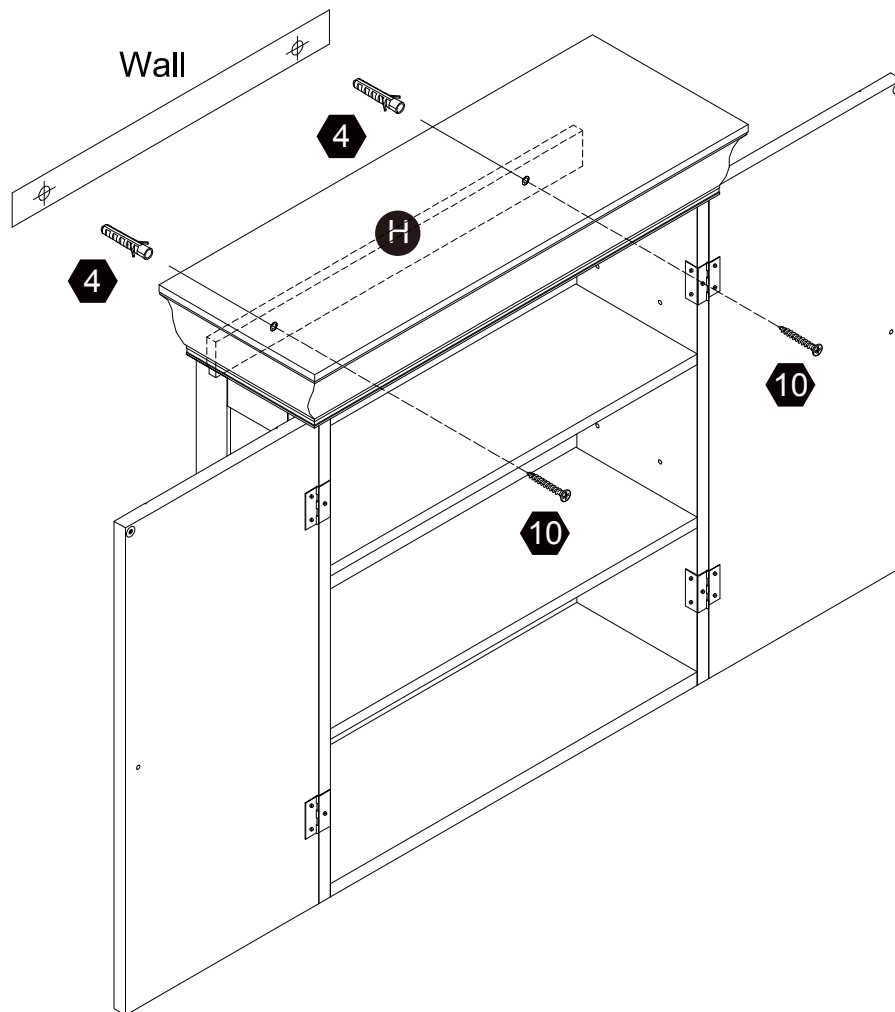
2 pcs

10



2 pcs

Ø4\*35mm



Scan for assembly instructions.