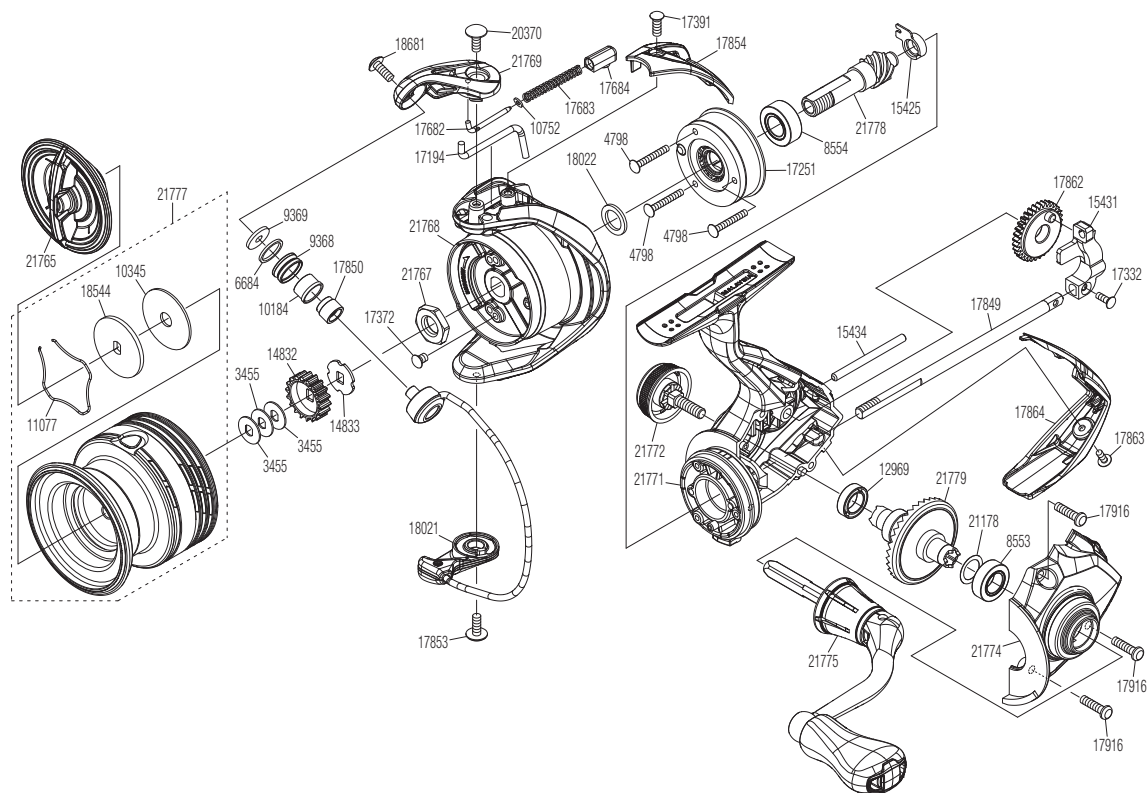


# SHIMANO

## NEXAVE

## NEX-2500HG



Please note that the number of adjusting washers may not always be the same as shown in the exploded views.

(51SB498E28X)

Please note that your actions take full responsibility when you take it apart.

| #     | Part No. | Description                | #     | Part No. | Description         | #     | Part No. | Description               |
|-------|----------|----------------------------|-------|----------|---------------------|-------|----------|---------------------------|
| 3455  | 10BXN    | Spool Washer               | 17372 | 10LCE    | Screw               | 21767 | 10RXE    | Rotor Nut                 |
| 4798  | 103C6    | Screw                      | 17391 | 10LFK    | Screw               | 21768 | 101FB    | Rotor                     |
| 6684  | 10KFD    | Spacer                     | 17682 | 1061L    | Bail Spring Guide A | 21769 | 101PL    | Bail Arm                  |
| 8553  | 107AT    | Ball Bearing               | 17683 | 105R6    | Bail Spring         | 21771 | 101F7    | Body                      |
| 8554  | 107FE    | Ball Bearing               | 17684 | 107AB    | Bail Spring Guide B | 21772 | 101EZ    | Handle Screw Cap Assembly |
| 9368  | 10JLF    | Line Roller                | 17849 | 10DMK    | Main Shaft          | 21774 | 101FA    | Side Cover                |
| 9369  | 10PPF    | Washer                     | 17850 | 1020X    | Collar              | 21775 | 101F3    | Handle Assembly           |
| 10184 | 10PFH    | Bushing                    | 17853 | 10LFH    | Screw               | 21777 | 101PP    | Spool Assembly            |
| 10345 | 10N5A    | Drag Washer                | 17854 | 10DNX    | Bail Spring Cover   | 21778 | 10S1N    | Pinion Gear               |
| 10752 | 10TYE    | Bail Spring Guide A Collar | 17862 | 10DMJ    | Oscillating Gear    | 21779 | 10S1T    | Drive Gear                |
| 11077 | 10MZX    | Retainer                   | 17863 | 10LCS    | Screw               |       |          |                           |
| 12969 | 107FA    | Ball Bearing               | 17864 | 10DM5    | Rear Protector      |       |          |                           |
| 14832 | 103MU    | Spool Support A            | 17916 | 10L6K    | Screw               |       |          |                           |
| 14833 | 10J04    | Spool Support B            | 18021 | 10RUM    | Bail Assembly       |       |          |                           |
| 15425 | 1074K    | Bushing                    | 18022 | 10JVH    | Washer              |       |          |                           |
| 15431 | 10G7D    | Oscillating Slider         | 18544 | 10N27    | Key Washer          |       |          |                           |
| 15434 | 1035A    | Oscillating Guide          | 18681 | 10PMH    | Screw               |       |          |                           |
| 17194 | 106P2    | Bail Trip Lever            | 20370 | 103DA    | Screw               |       |          |                           |
| 17251 | 10QPN    | Roller Clutch Assembly     | 21178 | 10EEZ    | Washer              |       |          |                           |
| 17332 | 10R1P    | Screw                      | 21765 | 101F1    | Drag Knob Assembly  |       |          |                           |