

AXOR Citterio E
Diverter Trim Trio/Quattro 5" x 5"
Finishes : **chrome** Part no. : **36772001**



Description

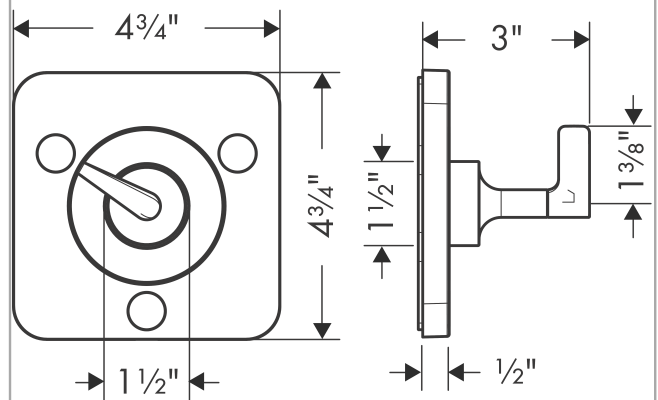
Features

- Handle, Sleeve, Metal escutcheon

Product image



Scale drawing

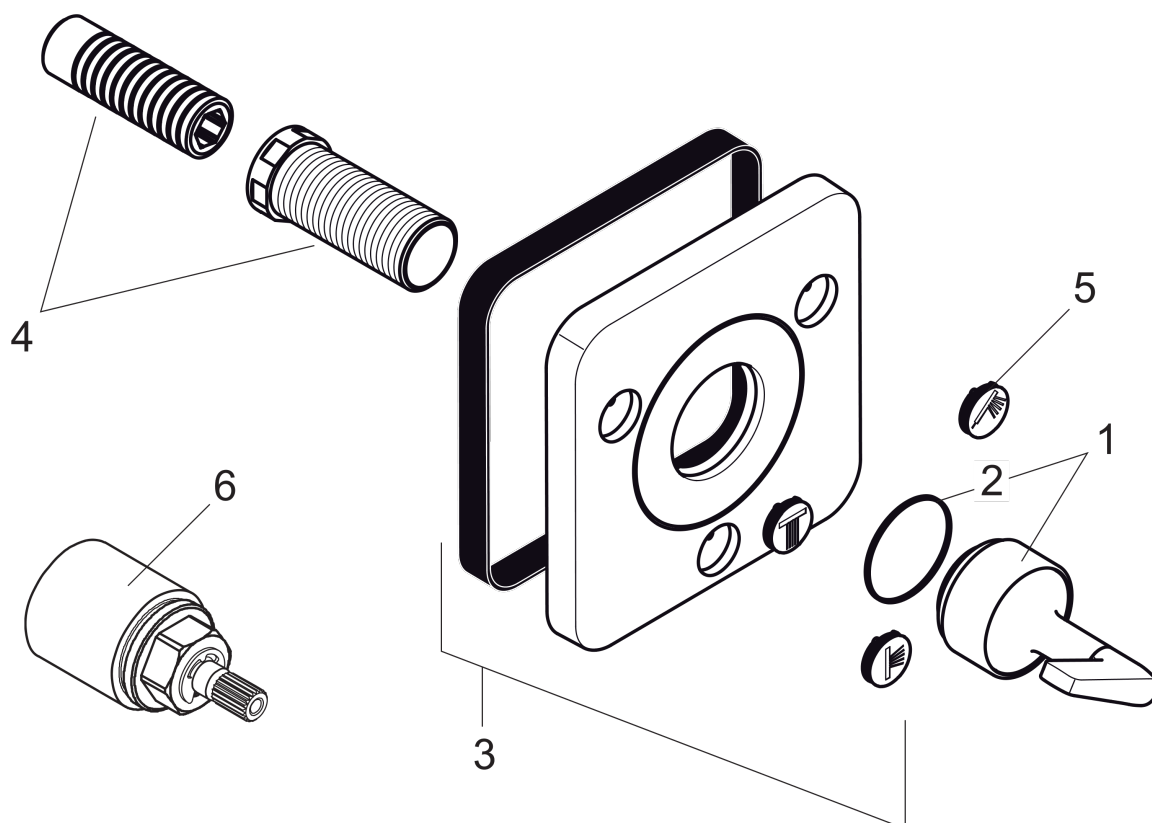


AXOR Citterio E
Diverter Trim Trio/Quattro 5" x 5"
Finishes : **chrome** Part no. : **36772001**



Exploded drawing

Year of production: >01/16



AXOR Citterio E
Diverter Trim Trio/Quattro 5" x 5"
 Finishes : **chrome** Part no. : **36772001**



Spare parts list

Year of production: >01/16

| Pos. | Description | Part no. | PC | PU |
|------|-----------------|----------|----|----|
| 1 | handle | 92441000 | 0 | 1 |
| 2 | O-ring 30x1,5 | 98433000 | 0 | 1 |
| 3 | escutcheon | 92515000 | 0 | 1 |
| 4 | fixing set | 96393000 | 0 | 1 |
| 5 | set of symbols | 92541000 | 0 | 1 |
| 6 | extension 25 mm | 96370000 | 0 | 1 |
| a | base body | 15930181 | 0 | 1 |
| b | base body | 15981181 | 0 | 1 |
| c | base body | 15984181 | 0 | 1 |
| d | base body | 36770181 | 0 | 1 |