

# ASSEMBLY INSTRUCTION








ITEM: 6750-75203B-97 Round Pedestal Dining Table Base  
6750-75203T-85 Round Pedestal Dining Table Top

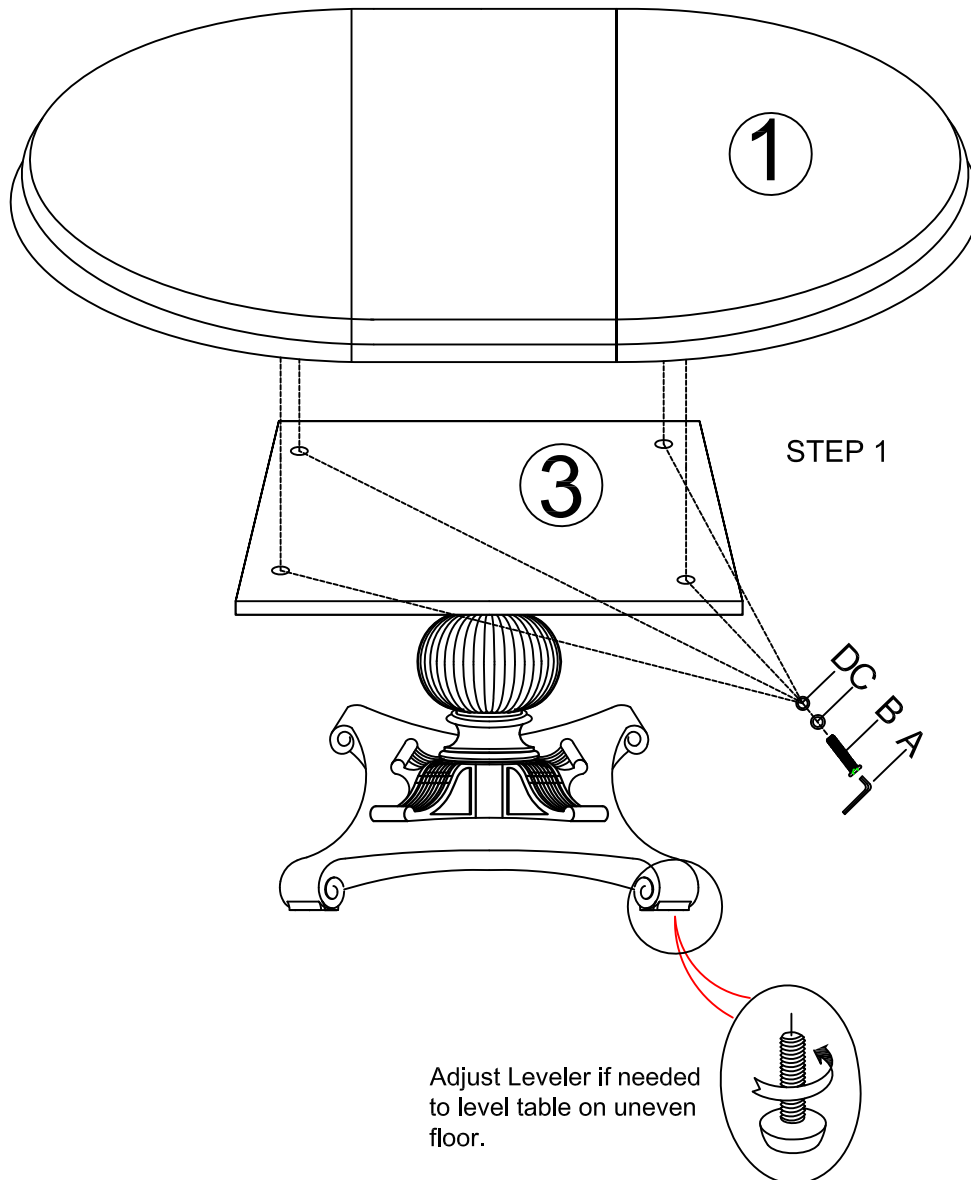
Thank you for purchasing this quality product. Be sure to unpack carefully looking for small parts which may have come loose during shipment.

Read all instruction and study the drawing carefully before starting the assembly process.

**HARDWARE PACK**

**PART LIST**

NO.	DRAWING	DESCRIPTION	SIZE	Q'TY	NO.	DRAWING	DESCRIPTION	Q'TY
A		Allen Wrench	73*29*5mm	1PC	①		Top	1PC
B		Bolt	Ø5/16"	4PCS	②		Leaf	1PC
C		Lock Washer	Ø5/16"	4PCS	③		Base	1PC
D		Flat Washer	Ø5/16"	4PCS				



STEP 1

STEP 2

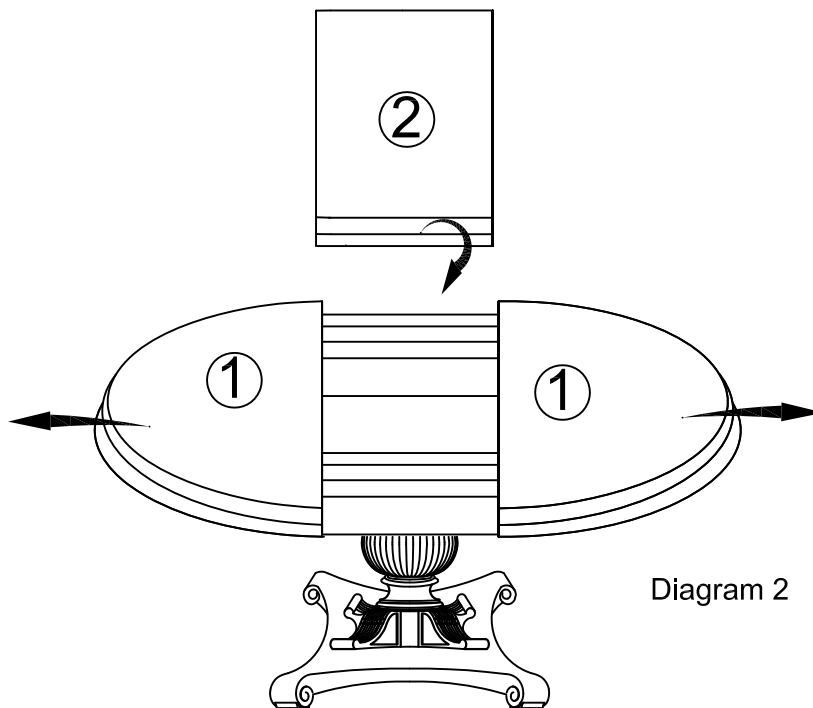
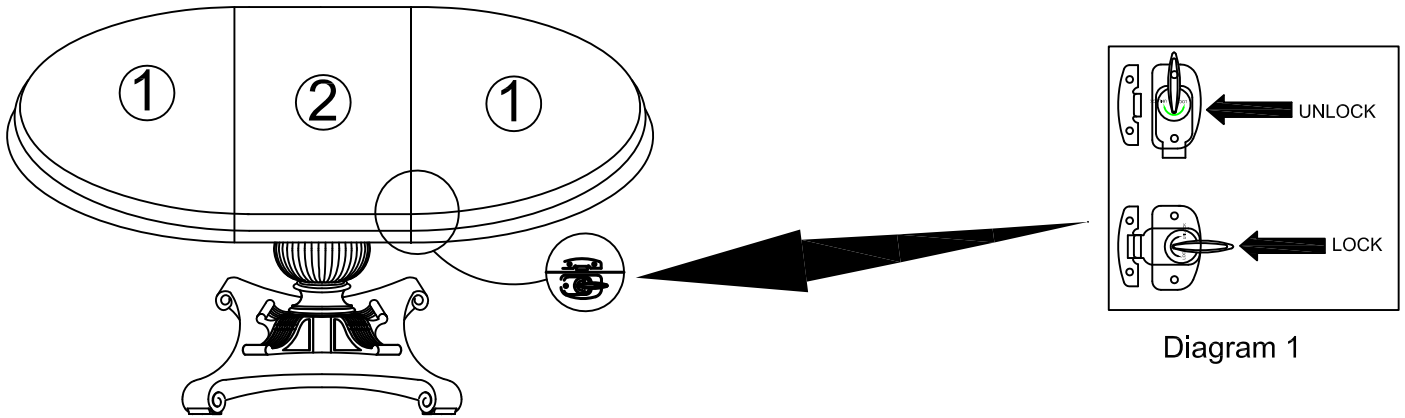
Adjust Leveler if needed to level table on uneven floor.

# ASSEMBLY INSTRUCTION

ITEM: 6750-75203B-97 Round Pedestal Dining Table Base  
6750-75203T-85 Round Pedestal Dining Table Top

Thank you for purchasing this quality product. Be sure to unpack carefully looking for small parts which may have come loose during shipment.

Read all instruction and study the drawing carefully before starting the assembly process.



**Instruction for table leaf:**

1. There are latches at the bottom of table top, unlock the latches as shown in Diagram 1 above.
2. Pull out table top as the arrow direction shown in Diagram 2.
3. Place table leaf (2) between table top and push table top together.
4. Lock the latches. (See Diagram 1)
5. Take opposite actions to remove table leaf.